

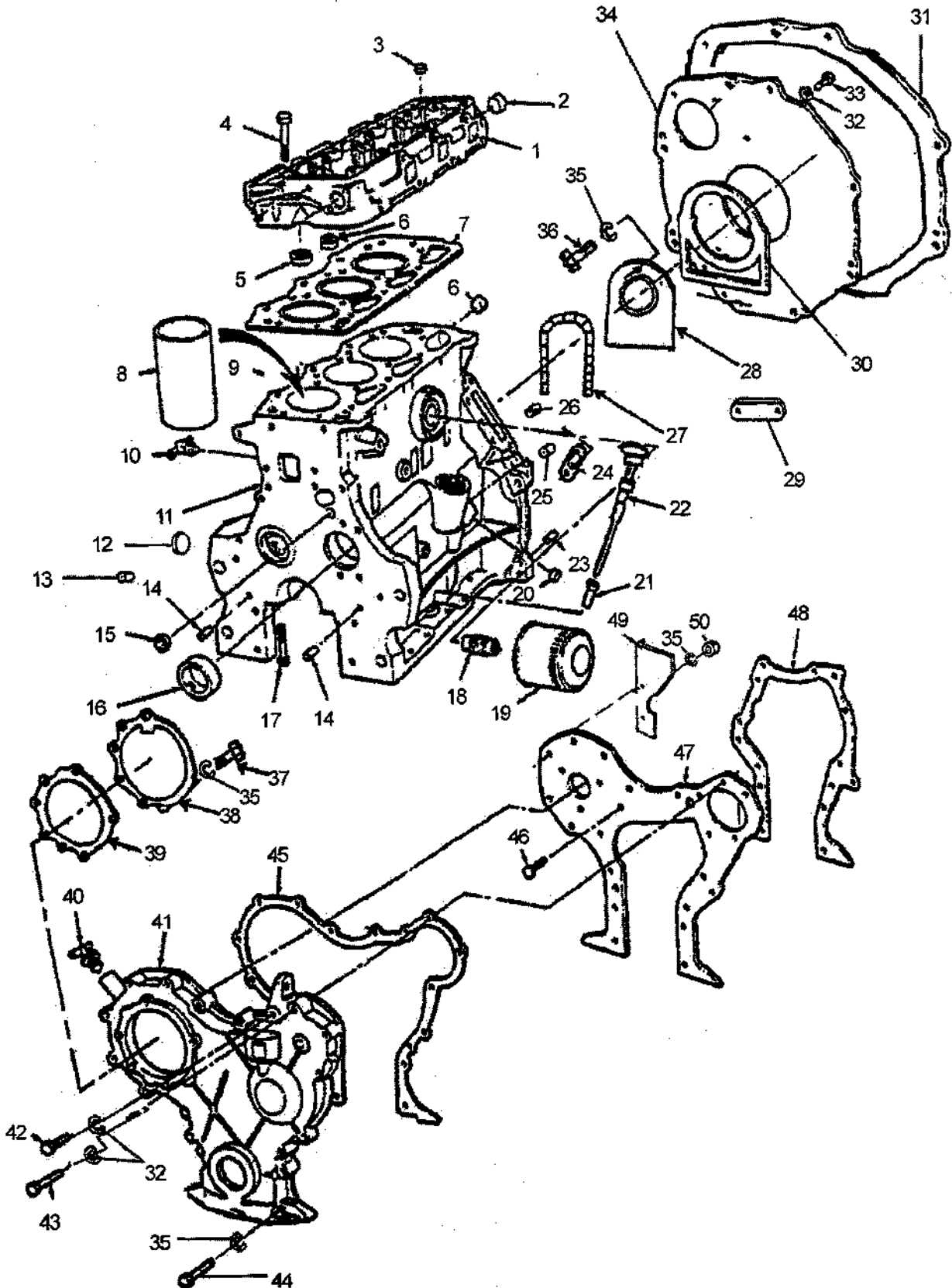
35/45/60

SECTION 1

# **ENGINE**

 **Long Agribusiness**

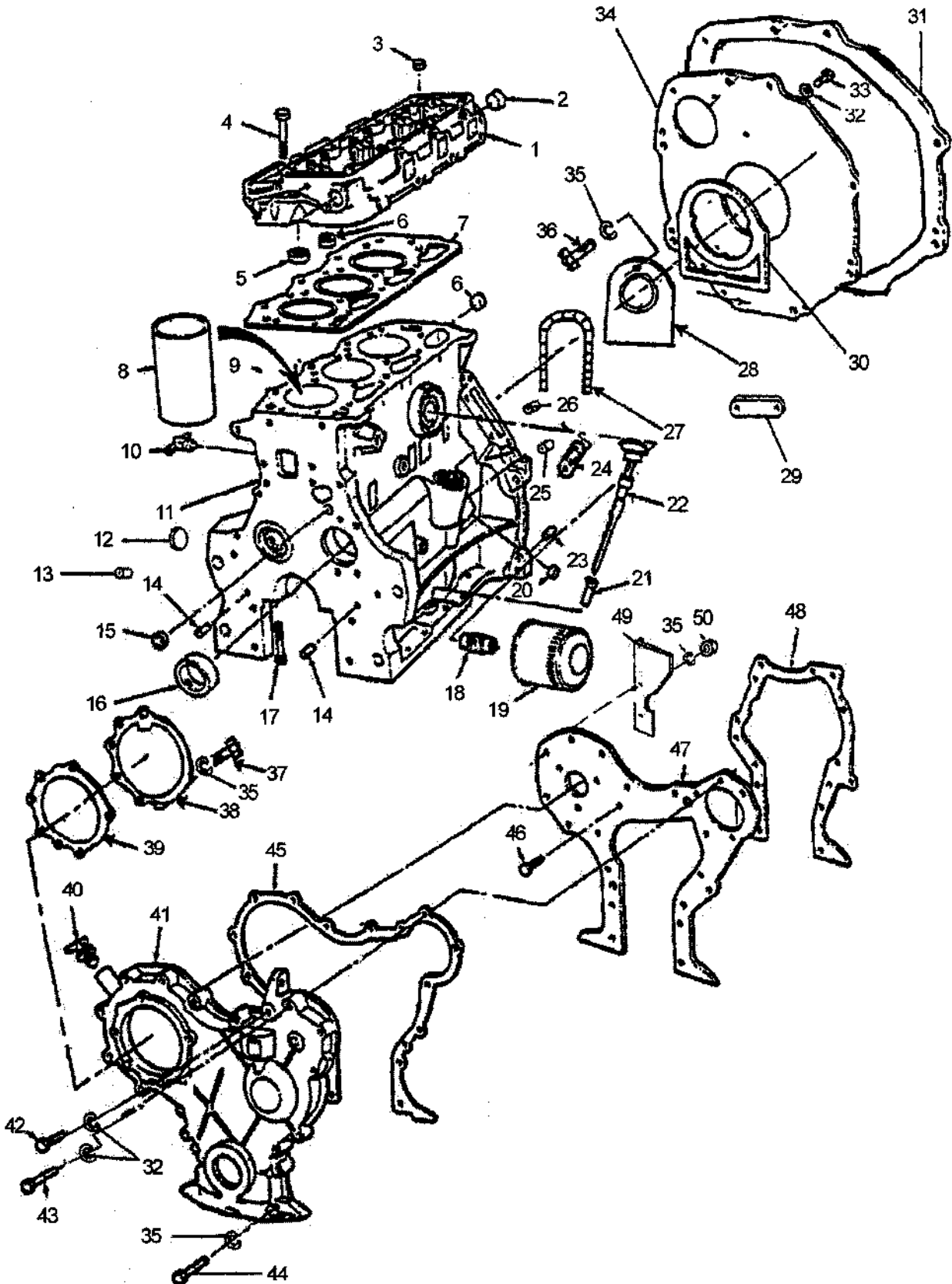
COMMON SENSE SOLUTIONS



CYLINDER BLOCK & CYLINDER HEAD

| ITEM | LONG #     | VENDOR #      | DESCRIPTION                                   | QTY. |    |
|------|------------|---------------|---|------|----|
|      |            |               |   | 45   | 60 |
| 1    | Ⓢ ESL12036 | E7NN-6090-BA  | Head Assembly, Cylinder (Includes Items #2-5) | 1    | 1  |
| 2    | ESL10041   | 390629-S36    | Plug (1.814 Cup, Outer Dia) O/S               | 3    | 3  |
| 3    | ESL10032   | 390625-S36    | Plug Cup (1.185 - Outer Dia) O/S              | 3    | 3  |
| 4    | ESL11737   | 89NH-6065-AA  | Bolt, Hex Head (9/16)                         | 10   | 10 |
| 5    | Ⓢ ESL12032 | 11-65057-AA   | Insert, Exhaust Valve Seat                    | 3    | 3  |
| 6    | Ⓢ ESL12031 | 11-65087-AA   | Insert, Intake Valve Seat                     | 3    | 3  |
| 7    | ESL10039   | 90NH-6051-AA  | Gasket, Cylinder Head                         | -    | 1  |
| -    | ESL12054   | 90NH-6051-BB  | Gasket, Cylinder Head                         | 1    | -  |
| 8    | ESL10051   | D8NN-6N009-AA | Sleeve - Block Assembly (for Service Only)    | -    | 3  |
| -    | ESL10049   | 93NH-6055-AA  | Sleeve - Block Assembly (For Service Only)    | 3    | -  |
| 9    | ESL10120   | E7NN-6A008-AA | Dowel   | 2    | 2  |
| 10   | Ⓢ 87651-S8 | 87651-S36     | Plug, Pipe Drain                              | 1    | 1  |
| 11   | ESL10093   | 92NH-6010-BA  | Block Assembly, Cylinder                      | -    | 1  |
| -    | ESL12055   | 93NH-6010-AA  | Block Assembly, Cylinder                      | 1    | -  |
| 12   | ESL13095   | 390627-S      | Plug Cup - (1.56 Outer Dia)                   | 2    | 2  |
| 13   | ESL11189   | 87838-S36     | Plug, Sock Hex Head (3/8x0.42)                | 3    | 3  |
| 14   | ESL10043   | 73329-S       | Pin, Dowel (3/8x1.125)                        | 2    | 2  |
| 15   | ESL10089   | 378336-S36    | Plug - Cup                                    | 1    | 1  |
| 16   | ESL10167   | SPF.994.001   | Cam Bush Set (Set of 4 Bushes)                | 1    | 1  |
| 17   | ESL11738   | 379548-S      | Bolt (9/16-12x4.45)                           | 8    | 8  |
| 18   | ESL10082   | D0NN-6890-A   | Mounting Bolt, Oil Filter                     | 1    | 1  |
| 19   | ESL10083   | 79NH-6714-AA  | Filter Assembly, Engine Oil                   | 1    | 1  |
| 20   | ESL10088   | 87650-S36     | Plug - 1/8-27 - Hex Head                      | 1    | 1  |
| 21   | ESL10052   | 73NH-6784-A   | Tube, Oil Level Indicator                     | 1    | 1  |
| 22   | ESL10054   | 93NH-6750-AA  | Indicator Oil Level                           | 1    | 1  |
| 23   | ESL10071   | 385456-S      | Pin, 1/2x1.00 Dowel                           | 2    | 2  |
| 24   | ESL10072   | 74NH-6438-A   | Cover, Flywheel Access                        | 1    | 1  |
| 25   | ESL10045   | 87652-S36     | Plug, Hex Head (3/8-18)                       | 1    | 1  |
| 26   | ESL10047   | 390488-S36    | Plug - Rear Thread                            | 1    | 1  |
| 27   | Ⓢ ESL10086 | E5HN-6N305-AA | Gasket, Crankshaft Rear, Oil                  | 1    | 1  |
| 28   | Ⓢ ESL10087 | E5HN-6N306-AA | Plate, Crankshaft Oil Seal Rear               | -    | 1  |
| 29   | ESL10081   | D0NN-6N011-A  | Stiffner, Rear Cover Plate                    | 1    | 1  |
| 30   | ESL10070   | C7NN-6N008-A  | Gasket, Block to Rear Plate                   | 1    | 1  |
| 31   | ESL10080   | D0NN-6N012-A  | Gasket, Rear Plate to Transmission            | 1    | 1  |
| 32   | 34807-S8   | 34807-S36     | Washer, Lock (3/8)                            | 16   | 16 |
| 33   | 304650-S8  | 304650-S36    | Bolt, Hex (3/8-16 x 0.75)                     | 1    | 1  |
| 34   | ESL10069   | 73NH-6A373-A  | Plate, Engine Rear Cover                      | 1    | 1  |
| 35   | 34806-S8   | 34806-S36     | Washer, Lock (5/16)                           | 8    | 9  |
| 36   | 304682-S8  | 304682-S36    | Bolt, Hex Head (5/16-18x1.00)                 | -    | 1  |
| 37   | 304648-S8  | 304648-S36    | Bolt, Hex Head (5/16-18 x 0.75)               | 4    | 4  |

### CYLINDER BLOCK & CYLINDER HEAD



**CYLINDER BLOCK & CYLINDER HEAD**

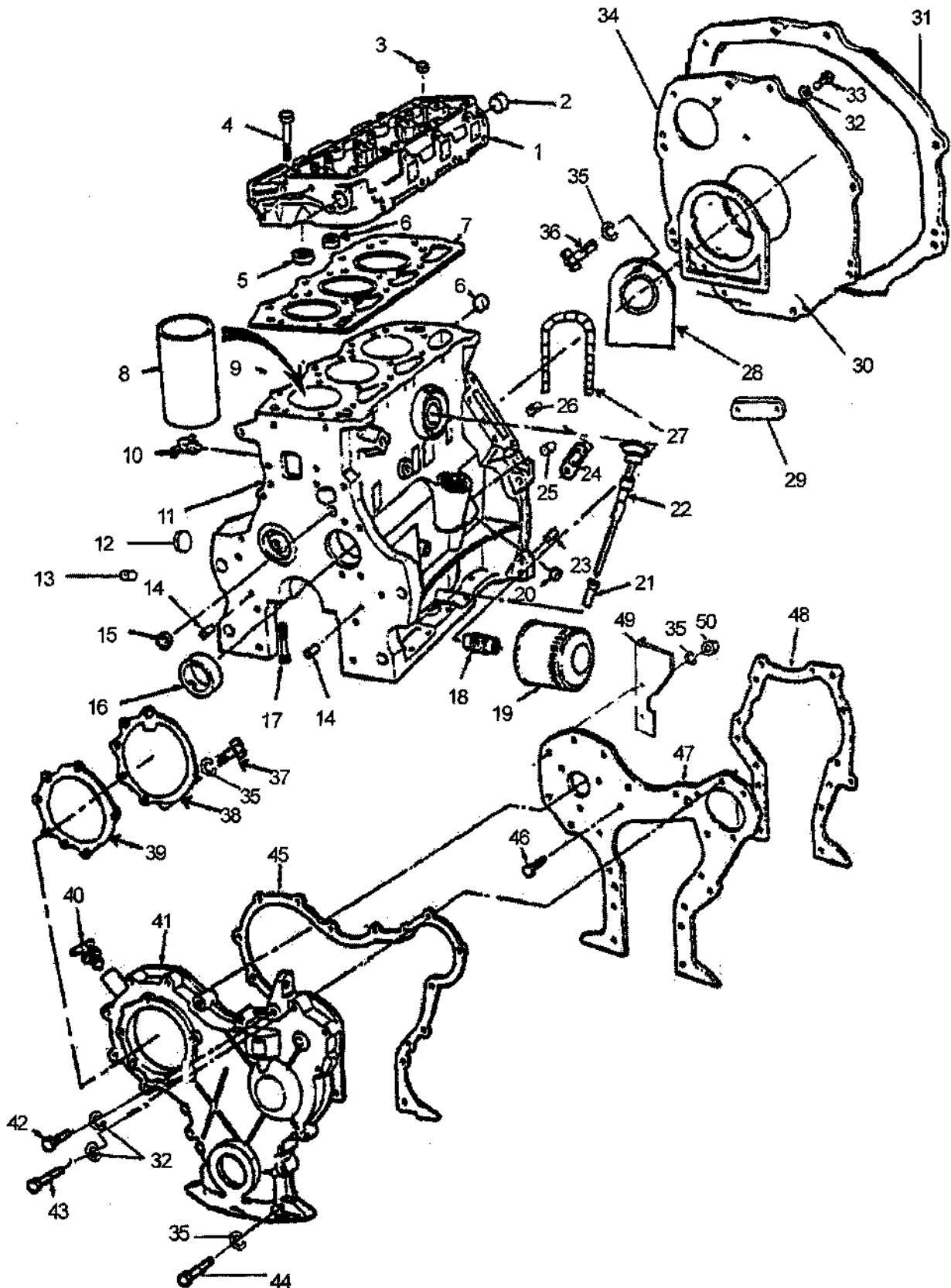
| ITEM | LONG #     | VENDOR #      | DESCRIPTION                     | QTY. |    |
|------|------------|---------------|---------------------------------|------|----|
|      |            |               |                                 | 45   | 60 |
| 38   | ESL10073   | C7NN-9G524-A  | Cover, FIP Timing               | 1    | 1  |
| 39   | ESL10075   | C5NE-9F598-A  | Gasket, Timing Cover            | 1    | 1  |
| 40   | Ⓢ ESL10060 | 93NH-6N609-AA | Cap, Oil Filter Tube            | 1    | 1  |
| 41   | Ⓢ ESL13323 | 11-61059-AA   | Cover, Cylinder Front           | 1    | 1  |
| 42   | 58639-S8   | 58639-S36     | Bolt, Hex Head (3/8-16 x 2.25)  | 8    | 8  |
| 43   | 304760-S8  | 304760-S36    | Bolt, Hex Head (3/8-16 x 1.50)  | 7    | 7  |
| 44   | 300866-S8  | 300866-S36    | Bolt, Hex Head (5/16-18 x 2.12) | 3    | 3  |
| 45   | Ⓢ ESL13324 | 11-61021-AA   | Gasket, Engine Front Cover      | 1    | 1  |
| 46   | 45964-S8   | 45964-S36     | Bolt, Hex Head (5/16-18x0.75)   | 4    | 4  |
| 47   | ESL10066   | 82835331      | Plate, Engine Front Cover       | 1    | 1  |
| 48   | ESL10068   | E6NN-6C045-BA | Gasket, Engine Front Plate      | 1    | 1  |

**Service Kits & Sub-Assemblies:**

|   |            |             |   |   |   |
|---|------------|-------------|---|---|---|
| A | ESL12077   | 26-60080-AA | Engine Assembly, Complete with Electricals  | 1 | - |
| B | ESL14550   | 26-60070-AA | Engine Assembly, Complete w/o Electricals   | 1 | - |
| C | ESL12076   | 15-60080-AA | Engine Assembly - Complete with Electricals | - | 1 |
| D | ESL12056   | 15-60070-AA | Engine Assembly - Complete w/o Electricals  | - | 1 |
| E | ESL12106   | SPF.782.004 | Engine, Overhauling Gasket Set              | 1 | - |
| F | Ⓢ ESL13321 | SPF.787.002 | Engine Overhauling Gasket Set               | - | 1 |
| G | ESL12111   | SPF.783.004 | Decarbonising Kit                           | 1 | - |
| H | ESL10095   | SPF.788.001 | Decarbonising Kit                           | - | 1 |
| I | ESL10096   | SPF.794.000 | Engine Plug Kit - Std.                      | 1 | 1 |
| J | ESL10097   | SPF.794.001 | Engine Plug Kit - Oversized                 | 1 | 1 |
| K | ESL12116   | SPF.224.000 | Engine Overhauling Kit - 010                | 1 | - |
| - | ESL12117   | SPF.225.000 | Engine Overhauling Kit - 020                | 1 | - |
| - | ESL12118   | SPF.226.000 | Engine Overhauling Kit - 030                | 1 | - |
| - | ESL12123   | SPF.228.000 | Engine Overhauling Kit - 010                | - | 1 |
| - | ESL12124   | SPF.229.000 | Engine Overhauling Kit - 020                | - | 1 |
| - | ESL12125   | SPF.230.000 | Engine Overhauling Kit - 030                | - | 1 |
| L | 904435     | -           | Engine Block Heater Kit                     | 1 | 1 |

**Service Serial Number Breaks:**

|    |          |               |                            |          |   |   |
|----|----------|---------------|----------------------------|----------|---|---|
| 1  | ESL10092 | 88NH-6049-AA  | Head Assembly, Cylinder    | ⚡ 259837 | - | 1 |
| 5  | ESL10018 | 82NH-6057-AA  | Insert, Exhaust Valve Seat | ⚡ 259837 | - | 3 |
| 6  | ESL10017 | 82NH-6E087-AA | Insert, Intake Valve Seat  | ⚡ 259837 | - | 3 |
| 10 | ESL10492 | C5NN-8115-B   | Drain, Cock Assembly       | ⚡ 193279 | - | 1 |
| 27 | ESL10901 | 87035-S94     | O-Ring                     | ⚡ 278324 | - | 1 |

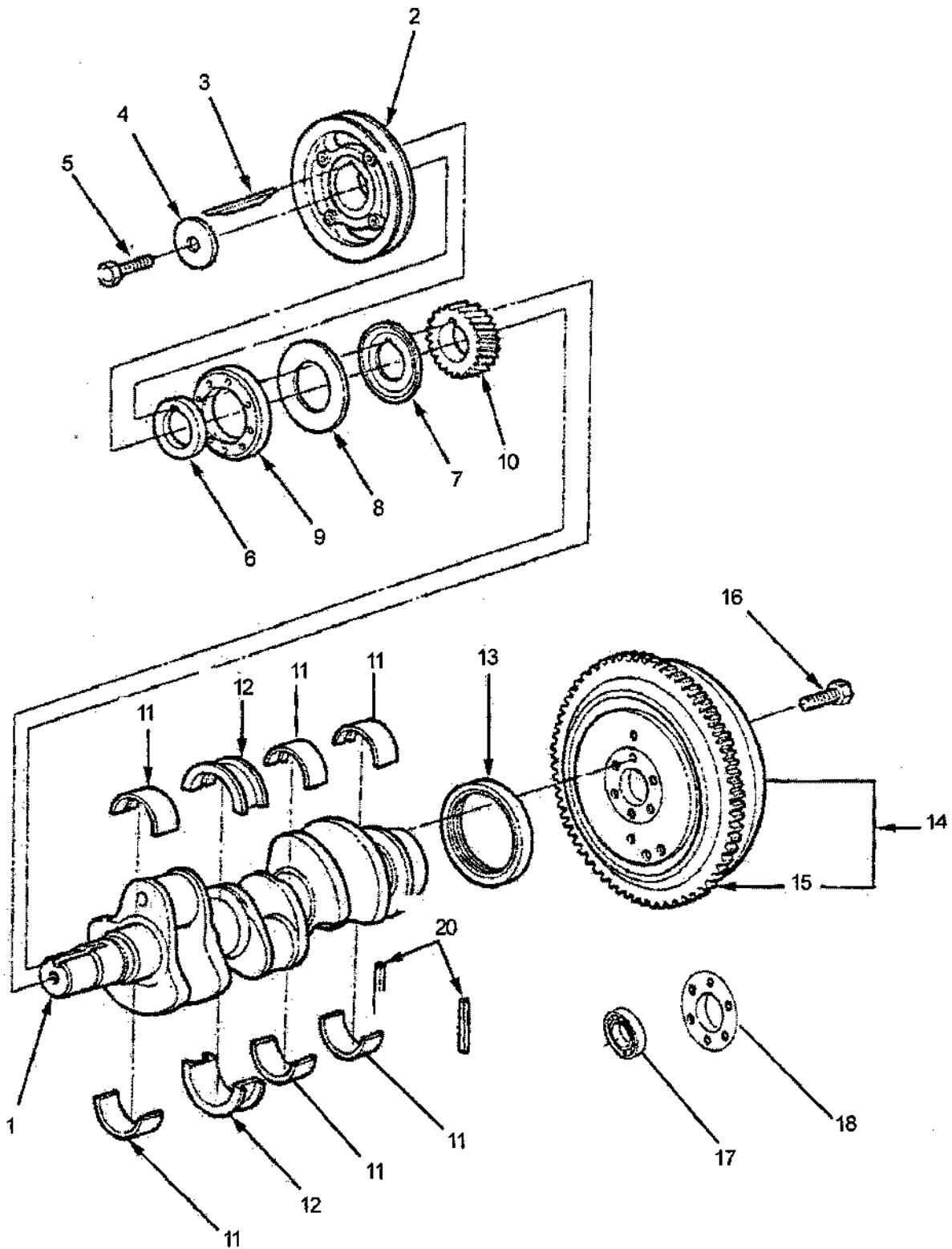


CYLINDER BLOCK & CYLINDER HEAD

| ITEM | LONG #   | VENDOR #      | DESCRIPTION                     |         | QTY. |    |
|------|----------|---------------|---------------------------------|---------|------|----|
|      |          |               |                                 |         | 45   | 60 |
| 28   | ESL10087 | E5HN-6N306-AA | Plate, Crankshaft Oil Seal Rear | ✓278324 | -    | 1  |
| 40   | ESL10059 | 78NH-6N609-AA | Cap, Oil Filler Tube            | ✓211739 | -    | 1  |
| 41   | ESL10057 | 82835334      | Cover, Cylinder Front           | ✓270539 | -    | 1  |
| 45   | ESL10063 | 82835337      | Gasket, Engine Front Cover      | ✓270539 | -    | 1  |
| 49   | ESL10079 | 93NH-8N630-AA | Deflector, Fan Air, RH          | ✓298614 | 1    | 1  |
| 50   | 33797-S8 | 33797-S36     | Nut, Hex (5/16-18)              | ✓298614 | 1    | 1  |
| F    | ESL10094 | SPF.787.001   | Engine Overhauling Gasket Set   | ✓259837 | -    | 1  |
| K    | ESL10098 | SPF.211.088   | Engine Overhauling Kit - 010    | ✓259837 | -    | 1  |
| -    | ESL10099 | SPF.212.088   | Engine Overhauling Kit - 020    | ✓259837 | -    | 1  |
| -    | ESL10100 | SPF.213.088   | Engine Overhauling Kit - 030    | ✓259837 | -    | 1  |

**NOTE: Contents of Service Kits:**

|   |                               |   |  |
|---|-------------------------------|---|--|
| 1 | Engine Overhauling Gasket Set | Section 1A:1<br>Section 1A:3<br>Section 1A:5<br>Section 2:2<br>Section 3B:1<br><br>Section 4B:1<br>Section 4B:2<br>Section 10:7 | Item # 7,30,45,48<br>Item # 1,20<br>Item # 14,18,19<br>Item # 8,12,15<br>Item #1,8<br><br>Item #11<br>Item #15<br>Item #29 |
| 2 | Decarbonizing Kit             | Section 1A:1<br>Section 1A:3<br>Section 2:2<br>Section 3B:1<br>Section 4B:2   | Item #7<br>Item #1,20<br>Item #12,15<br>Item #1,8<br>Item # 15   |
| 3 | Engine Overhauling Kit        | Section 1A:1<br>Section 1A:2<br>Section 1A:3<br>Section 1A:4<br>Section 3B:6  | Item #19, E or F<br>Item #9,13,19<br>Item #22,31<br>Item #1,4<br>Item #2,3   |

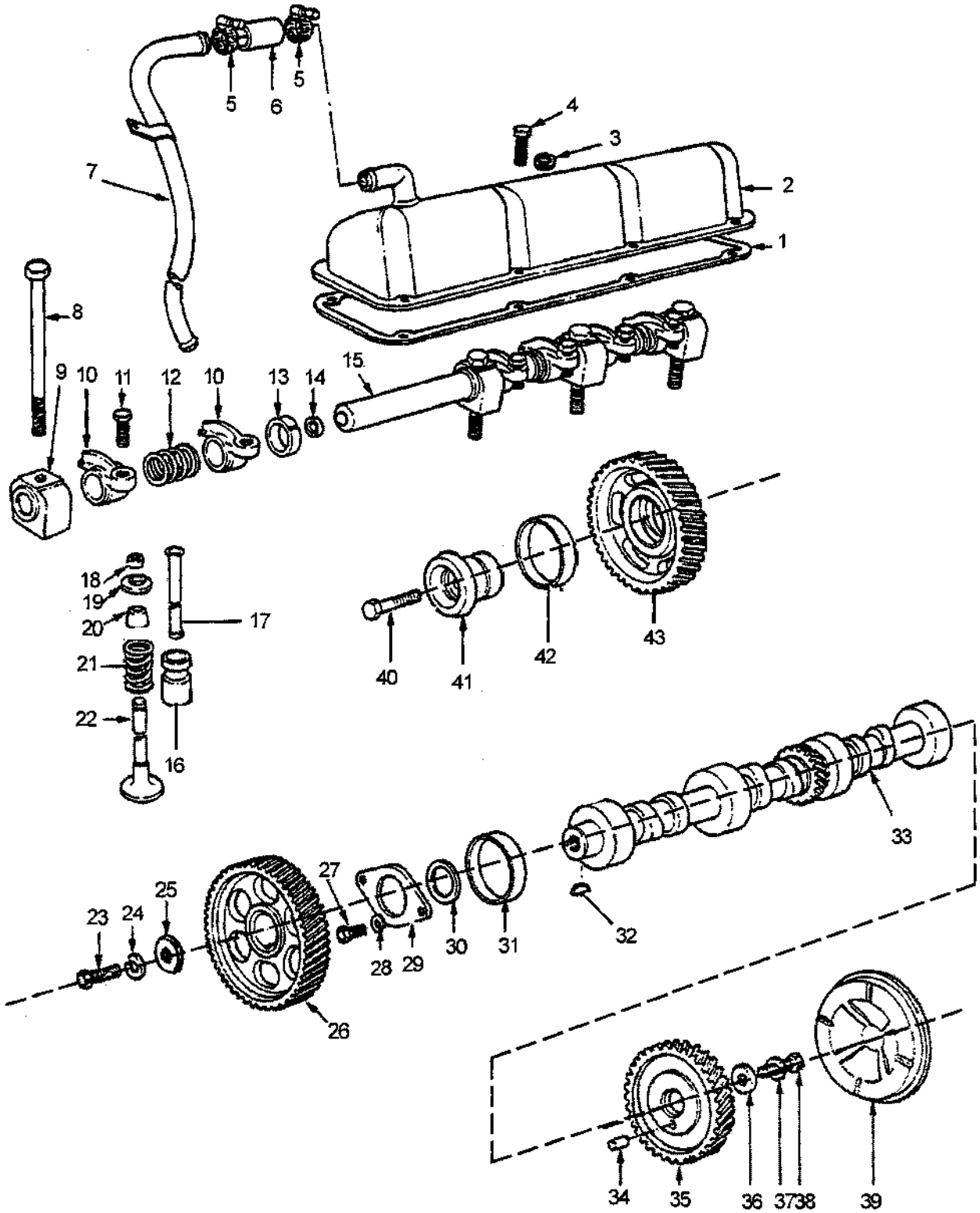


**CRANKSHAFT & FLYWHEEL ASSEMBLY**



| ITEM                                 | LONG #    | VENDOR #      | DESCRIPTION   | QTY.     |     |
|--------------------------------------|-----------|---------------|---|----------|-----|
|                                      |           |               |   | 45       | 60  |
| 1                                    | ESL10126  | 82835009      | Crankshaft & Gear Assy. (Includes Item #10)   | 1        | 1   |
| 2                                    | ESL10103  | C5NE-6312-F   | Pulley, Crankshaft (Single Groove)  | 1        | 1   |
| 3 (S)                                | ESL10105  | F0NN-6N300-AA | Key   | 1        | 1   |
| 4                                    | ESL11643  | 382675-S      | Washer, Flat (3/4)  | 1        | 1   |
| 5                                    | 304807-S8 | 304807-S36    | Bolt, Hex Head (3/4 - 16 x 1.75)  | 1        | 1   |
| 6 (S)                                | ESL10108  | 11-61306-AA   | Spacer, Crankshaft Pulley   | 1        | 1   |
| 7                                    | ESL10109  | 87133         | 'O' Seal  | 1        | 1   |
| 8                                    | ESL10110  | C5NE-6B309-A  | Seal, Crankshaft Dust   | 1        | 1   |
| 9                                    | ESL12624  | 87800696      | Seal Assembly Oil, Front  | 1        | 1   |
| 10 (S)                               | ESL10113  | 91NH-6306-AA  | Gear, Crankshaft  | 1        | 1   |
| 11,12                                |           |               |   |          |     |
| -                                    | ESL13271  | SPF.381.100   | Main Bearing Set - Std.   | 1        | 1   |
| -                                    | ESL12149  | SPF.383.110   | Main Bearing Set - 0.10   | 1        | 1   |
| -                                    | ESL12150  | SPF.384.120   | Main Bearing Set - 0.20   | 1        | 1   |
| -                                    | ESL12151  | SPF.385.130   | Main Bearing Set - 0.30   | 1        | 1   |
| -                                    | ESL12152  | SPF.386.140   | Main Bearing Set - 0.40<br>(Consists of 4 pairs of Main Bearings)                     | 1        | 1   |
| 13                                   | ESL10115  | 81869937      | Seal Assembly, Crankshaft Rear Oil  | 1        | 1   |
| 14                                   | ESL10016  | 85NH-6375-AB  | Flywheel Assembly   | 1        | 1   |
| 15                                   | ESL10118  | E2NN-6384-AA  | Gear, Flywheel  | 1        | 1   |
| 16                                   | ESL11918  | 43164-S2      | Bolt (9/16-18 x 1.625)  | 6        | 6   |
| 17                                   | ESL10692  | C5NN-7600-A   | Bearing Clutch Pilot  | 1        | 1   |
| 18                                   | ESL10693  | C5NN-7609-B   | Retainer Clutch Pilot Bearing   | 1        | 1   |
| 19                                   | ESL10121  | SPF.491.100   | Engine Brg Set - Standard   | 1        | 1   |
| -                                    | ESL10122  | SPF.492.110   | Engine Brg Set - 0.10 O/S   | 1        | 1   |
| -                                    | ESL10174  | SPF.493.120   | Engine Brg Set - 0.20 O/S   | 1        | 1   |
| -                                    | ESL10175  | SPF.494.130   | Engine Brg Set - 0.30 O/S   | 1        | 1   |
| -                                    | ESL10176  | SPF.495.140   | Engine Brg Set - 0.40 O/S<br>(Consists Of Main Bearings & Rod Bearings for an Engine) | 1        | 1   |
| 20                                   | ESL12128  | E4NN-6336-AB  | Seal, Rear Main Bearing Cap   | 2        | -   |
| <b>Service Serial Number Breaks:</b> |           |               |   |          |     |
| 3                                    | ESL10104  | C9NN-6N250-A  | Key   | ↳ 155931 | - 1 |
| 6                                    | ESL10106  | 72NH-6B306-A  | Spacer, Crankshaft Pulley   | ↳ 155932 | - 1 |
| -                                    | ESL10107  | 91NH-6B306-AA | Spacer, Crankshaft Pulley   | ↳ 240019 | - 1 |
| 10                                   | ESL10112  | C5NE-6306-A   | Gear, Crankshaft  | ↳ 155931 | - 1 |
| -                                    | ESL10114  | C5NE-6310-B   | Slinger   | ↳ 155931 | - 1 |

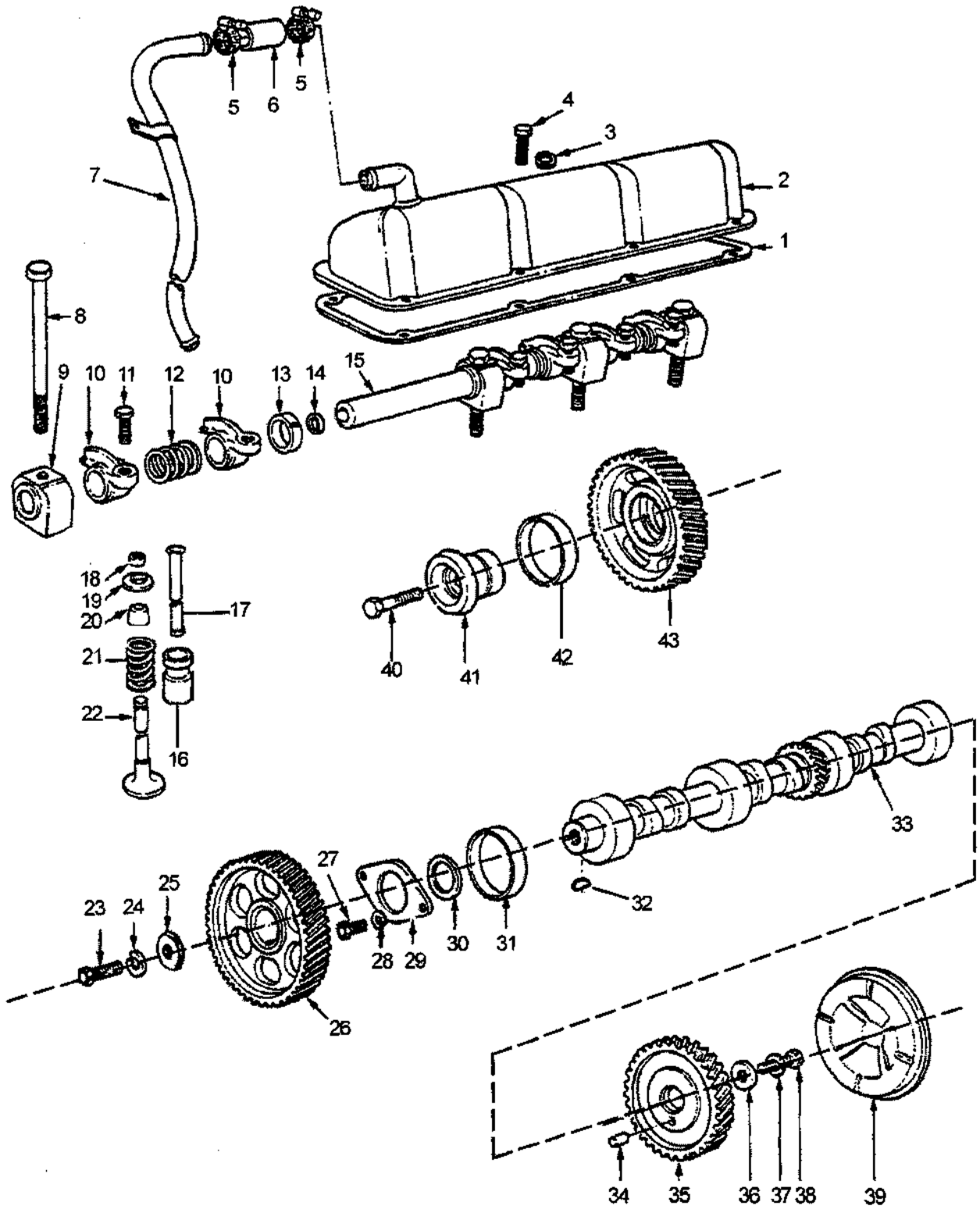
**CRANKSHAFT & FLYWHEEL ASSEMBLY**



CAMSHAFT & ROCKER ARM

| ITEM   | LONG #    | VENDOR #     | DESCRIPTION                                    | QTY. |    |
|--------|-----------|--------------|--|------|----|
|        |           |              |  | 45   | 60 |
| 1      | ESL10141  | C7NN-6584-B  | Gasket, Rocker Arm Cover                       | 1    | 1  |
| 2      | ESL10140  | D7NN-6582-C  | Cover Assembly, Valve Rocker Arm               | 1    | 1  |
| 3      | 34806-S8  | 34806-S36    | Washer, Lock (5/16)                            | 8    | 8  |
| 4      | 304634-S8 | 304634-S36   | Bolt, Hex Head (5/16 - 18 x 0.625)             | 8    | 8  |
| 5      | ESL10161  | 81NH-6828-A  | Clamp, Crankcase Vent Tube                     | 2    | 2  |
| 6      | ESL10157  | C5NE-6853-A  | Hose, Crankcase Vent                           | 1    | 1  |
| 7      | ESL12626  | 11-68578-AA  | Tube Assembly, Crankcase Vent                  | 1    | 1  |
| 8      | ESL11739  | 89NH-6065-BA | Bolt, Cylinder Head (9/16")                    | 4    | 4  |
| 9      | ESL10133  | D5NN-6531-A  | Support, Valve Rocker Arm                      | 4    | 4  |
| 10     | ESL10168  | C5NE-6529-A  | Arm Assembly, Valve Rocker (Includes Item #11) | 6    | 6  |
| 11     | ESL10131  | 89NH-6549-AA | Screw, Rocker Arm Adjusting                    | 6    | 6  |
| 12     | ESL10134  | C5NE-6587-A  | Spring, Rocker Arm Locating                    | 3    | 3  |
| 13     | ESL10135  | 71NH-6590-A  | Spacer, Rocker Arm                             | 3    | 3  |
| 14     | ESL10046  | 376099-S     | Plug (0.761 Dia)                               | 2    | 2  |
| 15     | ESL10132  | E7NN-6563-AA | Shaft, Valve Rocker Arm                        | 1    | 1  |
| 16     | ESL10127  | C7NN-6500-B  | Tappet Valve                                   | 6    | 6  |
| 17     | ESL10128  | C5NE-6567-B  | Rod, Valve Push                                | 6    | 6  |
| 18     | ESL10138  | 83NH-6518-AA | Key, Valve Spring Retainer                     | 12   | 12 |
| 19     | ESL10137  | D0NN-6514-A  | Retainer, Valve Spring                         | 6    | 6  |
| 20     | ESL10139  | 91NH-6571-AA | Seal, Valve Stem                               | 6    | 6  |
| 21     | ESL10136  | C7NN-6513-A  | Spring, Valve                                  | 6    | 6  |
| 22 (S) | ESL12030  | SPF.587.000  | Valve Set INEX, Standard                       | 1    | 1  |
| -      | ESL12136  | SPF.587.005  | Valve Set INEX, 0.005 O/S                      | 1    | 1  |
| -      | ESL12137  | SPF.587.010  | Valve Set INEX, 0.010 O/S                      | 1    | 1  |
| -      | ESL12138  | SPF.587.015  | Valve Set INEX, 0.015 O/S                      | 1    | 1  |
| -      | ESL12139  | SPF.587.030  | Valve Set INEX, 0.030 O/S                      | 1    | 1  |
| 23     | 304724-S8 | 304724-S36   | Bolt, Hex Head (7/16-14x1.25)                  | 1    | 1  |
| 24     | 34808-S8  | 34808-S36    | Washer, Lock (7/16)                            | 1    | 1  |
| 25     | ESL11644  | C5NE-6278-A  | Washer, Camshaft Gear                          | 1    | 1  |
| 26     | ESL10149  | C9NN-6N251-A | Gear Assembly, Camshaft Drive                  | 1    | 1  |
| 27     | 304648-S8 | 304648-S36   | Bolt, Hex Head (5/16-18x0.75)                  | 2    | 2  |
| 28     | 34806-S8  | 34806-S36    | Washer, Lock (5/16)                            | 2    | 2  |
| 29 (S) | ESL10152  | D8NN-6269-AA | Plate, Camshaft Thrust                         | 1    | 1  |
| 30     | ESL10150  | C5NE-6265-A  | Spacer, Camshaft Gear                          | 1    | 1  |
| 31     | ESL10167  | SPF.994.001  | Cam Bush Set (Consists of 4 Bushes)            | 1    | 1  |
| 32     | 74178-S8  | 74178-S      | Key, Woodruff (3/16x0.75)                      | 1    | 1  |
| 33 (S) | ESL10143  | 82835182     | Camshaft, Engine                               | 1    | 1  |
| 34     | ESL10155  | 382015-S     | Pin, Dowel (5/16x0.625)                        | 1    | 1  |
| 35     | ESL10154  | C5NE-907-C   | Gear, Hydraulic Pump Drive                     | 1    | 1  |
| 36     | ESL11644  | C5NE-6278-A  | Washer, Camshaft Gear                          | 1    | 1  |

**CAMSHAFT & ROCKER ARM**



**CAMSHAFT & ROCKER ARM**

1A:11

Ⓢ - INDICATES SERVICE SERIAL NUMBER BREAKS,

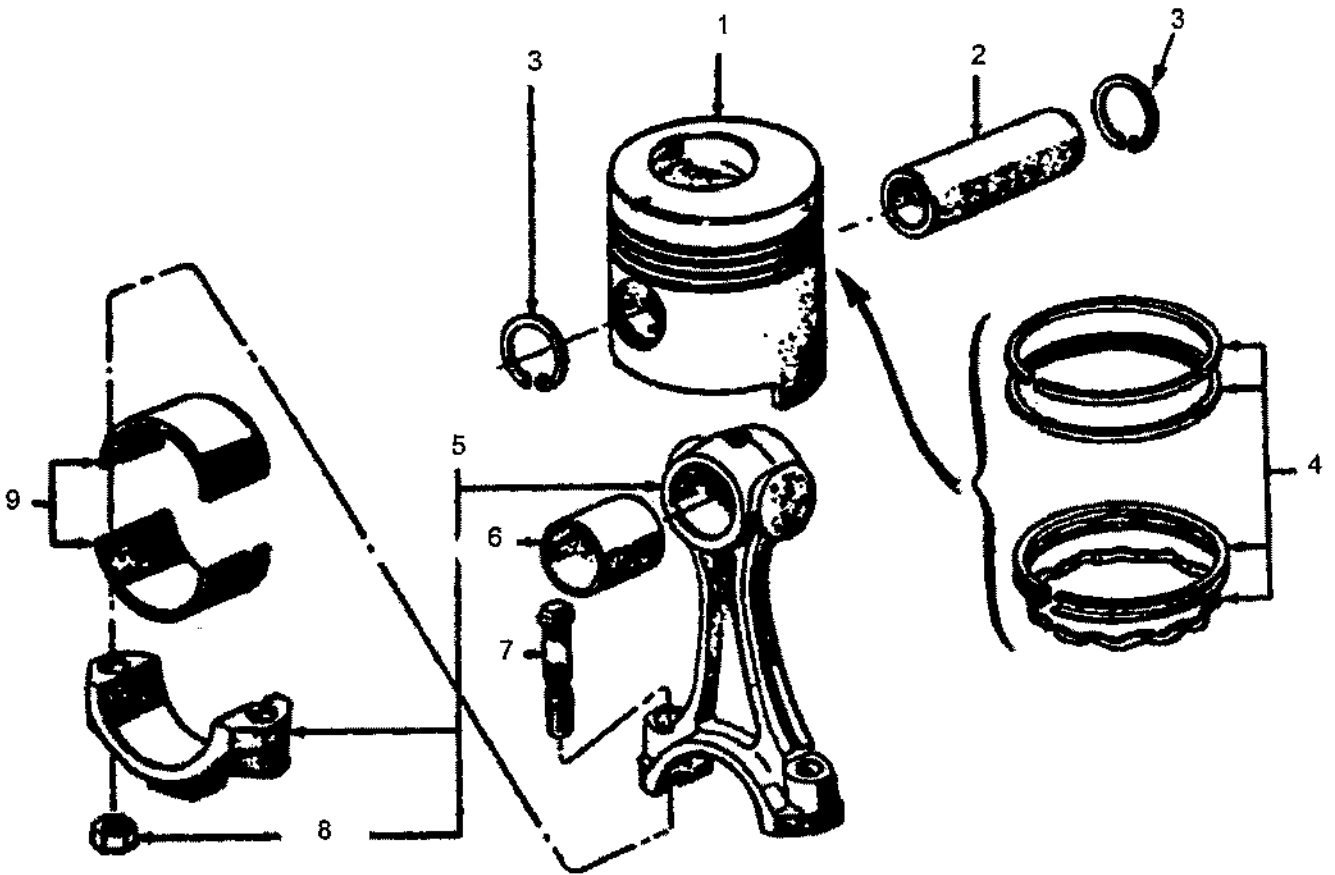
✓ - INDICATES UP TO AND INCLUDING THAT SERIAL NUMBER

| ITEM | LONG #    | VENDOR #      | DESCRIPTION                   | QTY. |    |
|------|-----------|---------------|-------------------------------|------|----|
|      |           |               |                               | 45   | 60 |
| 37   | 34808-S8  | 34808-S36     | Washer, Lock (7/16)           | 1    | 1  |
| 38   | 304724-S8 | 304724-S36    | Bolt                          | 1    | 1  |
| 39   | ESL10156  | C5NN-D851-B   | Cover, Camshaft Rear End      | 1    | 1  |
| 40   | ESL11919  | 43191-S2      | Bolt, Cam Drive Gear Adapter  | 1    | 1  |
| 41   | ESL10147  | 93NH-6A255-AA | Adapter, Camshaft Drive Gear  | 1    | 1  |
| 42   | ESL10146  | C5NE-6A254-A  | Bush, Camshaft Drive Gear     | 1    | 1  |
| 43   | ESL10145  | C9NN-6A253-A  | Gear Assembly, Camshaft Drive | 1    | 1  |

**Service Serial Number Breaks:**

|    |          |              |                           |          |   |   |
|----|----------|--------------|---------------------------|----------|---|---|
| 22 | ESL10162 | SPF.586.000  | Valve Set INEX, Standard  | ↳ 259837 | - | 1 |
| -  | ESL10163 | SPF.586.005  | Valve Set INEX, 0.005 O/S | ↳ 259837 | - | 1 |
| -  | ESL10164 | SPF.586.010  | Valve Set INEX, 0.010 O/S | ↳ 259837 | - | 1 |
| -  | ESL10165 | SPF.586.015  | Valve Set INEX, 0.015 O/S | ↳ 259837 | - | 1 |
| -  | ESL10166 | SPF.586.030  | Valve Set INEX, 0.020 O/S | ↳ 259837 | - | 1 |
| 29 | ESL10151 | E6NN-6269-AA | Plate, Camshaft Thrust    | ↳ 172563 | - | 1 |
| 33 | ESL10142 | 88NH-6250-AA | Camshaft, Engine          | ↳ 235622 | - | 1 |

**CAMSHAFT & ROCKER ARM**



**PISTON & CONNECTING ROD**

| ITEM  | LONG #   | VENDOR #     | DESCRIPTION  | QTY.       |
|-------|----------|--------------|--|------------|
| 1     | ESL12033 | SPF.195.000  | Piston Assembly Set<br>(Includes Items #2,3 for all cylinders) | 45 60      |
| - (S) | ESL12089 | SPF.362.500  | Piston Assembly Set<br>(Includes Items #2,3 for all cylinders) | 1 -        |
| 2     | -        | -            | Pin, Piston (NSS)  | - 1<br>3 3 |
| 3     | -        | -            | Retainer, Pin Piston - (NSS)                                   | 6 6        |
| 4     | ESL10171 | SPF.290.100  | Ring Set, Piston (Includes rings for all Cylinders)            | - 1        |
| -     | ESL12034 | SPF.296.000  | Ring Set, Piston (Includes rings for all Cylinders)            | 1 -        |
| 5     | ESL10172 | 92NH-6200-AB | Rod Assembly, Connecting (Includes Items # 6-8)                | 3 3        |
| 6     | ESL10173 | SPF.487.000  | Bush Set, Connecting Rod (Set of 3 bushes)                     | 1 1        |
| 7     | ESL11740 | E4TN-6214-AB | Bolt Connecting Rod (7/16 - 20)                                | 6 6        |
| 8     | ESL11780 | 370664-S     | Nut, Hex Lock (7/16 - 20)                                      | 6 6        |
| 9     | ESL10177 | SPF.481.100  | Con Rod Brg Set - Std.   | 1 1        |
| -     | ESL10178 | SPF.483.110  | Con Rod Brg Set - 010 U/S                                      | - -        |
| -     | ESL10179 | SPF.484.120  | Con Rod Brg Set - 020 U/S                                      | - -        |
| -     | ESL10180 | SPF.485.130  | Con Rod Brg Set - 030 U/S                                      | - -        |
| -     | ESL10181 | SPF.486.140  | Con Rod Brg Set - 040 U/S                                      | - -        |

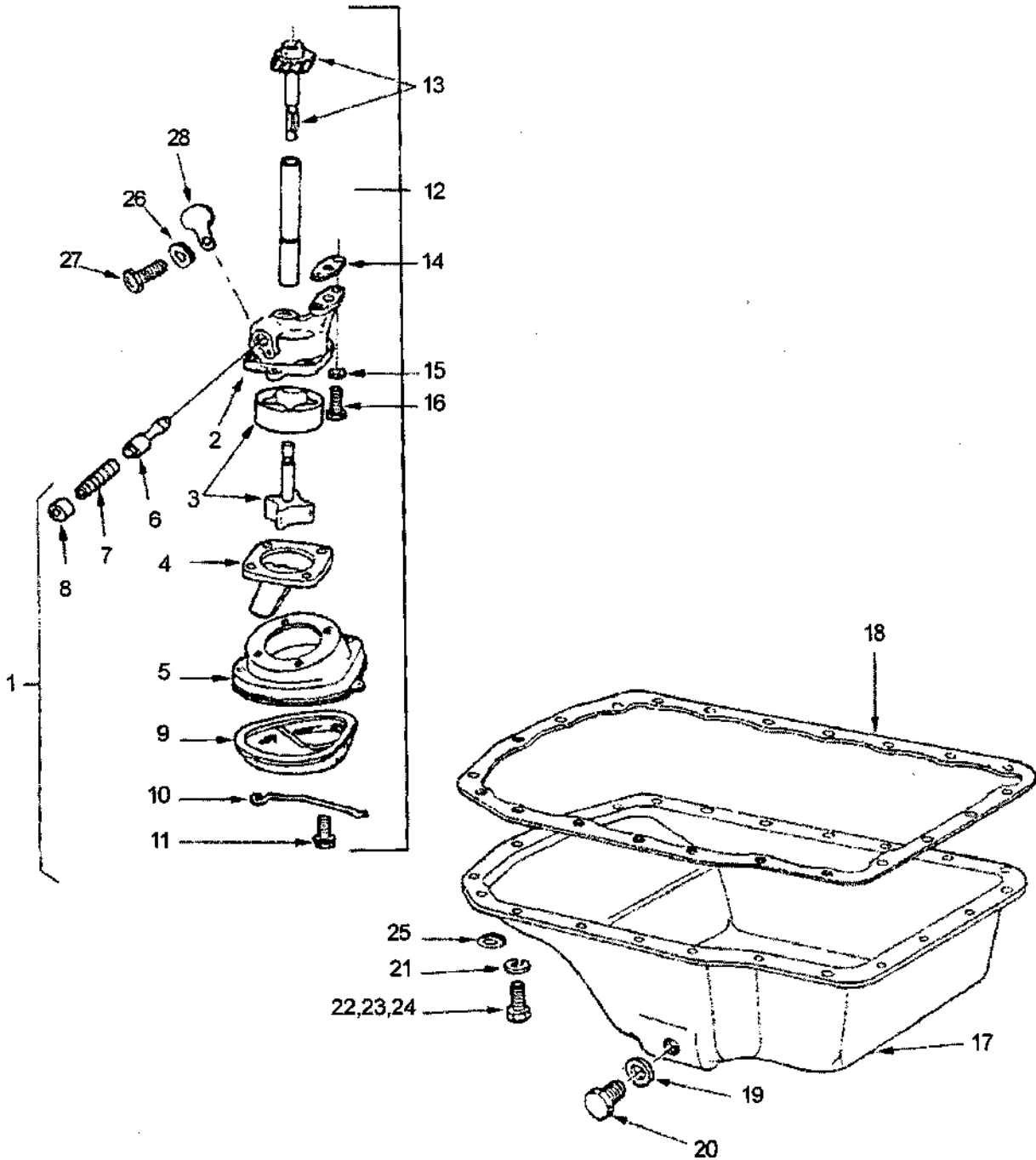
**Service Serial Number Breaks:**

|   |          |             |   |          |     |
|---|----------|-------------|---|----------|-----|
| 1 | ESL12145 | SPF.361.500 | Piston Assembly, Set<br>(Includes Items #2,3 for all cylinders) | Ⓚ 259837 | - 1 |
|---|----------|-------------|---|----------|-----|

**PISTON & CONNECTING ROD**

(S) - INDICATES SERVICE SERIAL NUMBER BREAKS,

Ⓚ - INDICATES UP TO AND INCLUDING THAT SERIAL NUMBER



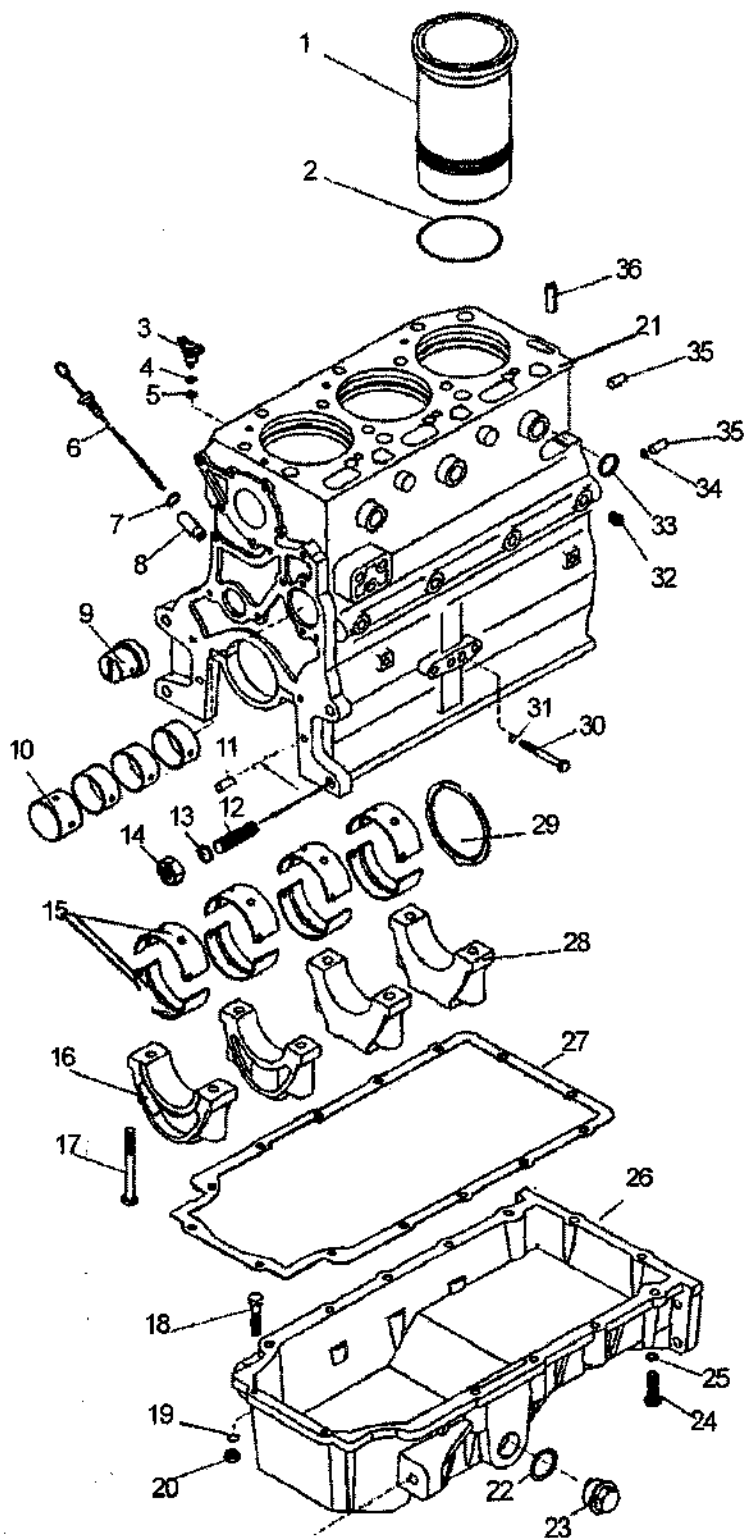
**OIL PUMP & OIL PAN**



| ITEM   | LONG #      | VENDOR #      | DESCRIPTION   | QTY. |    |
|--------|-------------|---------------|---|------|----|
|        |             |               |   | 45   | 60 |
| 1      | ESL10203    | 82835192      | Pump Assembly, Engine Oil   | 1    | 1  |
| 2      | -           | -             | Body, Oil Pump (NSS)  | 1    | 1  |
| 3 (S)  | ESL12629    | 82835193      | Rotor & Shaft Assembly  | 1    | 1  |
| 4      | -           | -             | Cover, Oil Pump (NSS)   | 1    | 1  |
| 5      | -           | -             | Cover, Oil Pump Screen (NSS)  | 1    | 1  |
| 6      | ESL10188    | D1NN-6A809-A  | Valve, Oil Pump Relief  | 1    | 1  |
| 7      | ESL10189    | D1NN-6670-A   | Spring, Oil Pump Relief Valve                                       | 1    | 1  |
| 8      | ESL10190    | D1NN-6674-A   | Plug, Oil Pump Relief, Valve  | 1    | 1  |
| 9      | ESL10191    | C7NN-6623-A   | Screen Assembly, Oil Pump   | 1    | 1  |
| 10 (S) | ESL10193    | 11-66628-AA   | Spring, Oil Pump Screen   | 1    | 1  |
| 11 (S) | ESL11779    | 82835446      | Bolt (M6-1x25)  | 4    | 4  |
| 12 (S) | ESL10195    | 82835075      | Shaft, Oil Pump, Intermediate                                       | 1    | 1  |
| 13     | ESL10196    | D3NN-6A820-E  | Shaft & Gear Assy. - Oil Pump                                       | 1    | 1  |
| 14     | ESL10197    | C7NN-6659-A   | Gasket, Oil Pump to Block   | 1    | 1  |
| 15     | ESL11645    | 73NH-6K632-A  | Washer, Lock  | 2    | 2  |
| 16     | 378310-S8   | 378310-S36    | Bolt, Hex (3/8-16x1.38)   | 2    | 2  |
| 17     | ESL10198    | C9NN-6675-A   | Pan Assembly, Oil   | 1    | 1  |
| 18     | ESL10200    | 82835253      | Gasket, Oil Pan   | 1    | 1  |
| 19     | ESL10201    | C9NN-6734-A   | Gasket, Oil Pan Drain Plug  | 1    | 1  |
| 20     | ESL11741    | C9NN-6730-B   | Bolt, Oil Pump Drain  | 1    | 1  |
| 21     | 34792-S8    | 34792-S36     | Washer, Lock (3/8)  | 22   | 22 |
| 22     | 304666-S8   | 304666-S36    | Bolt Hex-Head (3/8 - 16 x 0.875)                                    | 19   | 19 |
| 23     | 304684-S8   | 304684-S36    | Bolt Hex-Head (3/8 - 16 x 1.00) ,<br>(For Bracket Steering Pipe RH) | 2    | 2  |
| 24     | 304722-S8   | 304722-S36    | Bolt Hex-Head (3/8 - 16 x 1.25),<br>(For Bracket Steering Pipe LH)  | 1    | 1  |
| 25     | 44726-S8    | 44726-S36     | Washer, 3/8 - Flat  | 22   | 22 |
| 26     | N-630173-S8 | N-630173-S36  | Washer, Lock (M8)   | 1    | 1  |
| 27     | N-605531-S8 | N-605531-S36  | Bolt Hex-Head (M8 x 1.25 - 20)                                      | 1    | 1  |
| 28     | ESL11646    | 80NH-6W663-AA | Stop Oil Pump Relief Valve  | 1    | 1  |

**Service Serial Number Breaks:**

|    |          |              |                              |         |   |   |
|----|----------|--------------|------------------------------|---------|---|---|
| 3  | ESL10185 | 80NH-6608-AA | Rotor & Shaft Assembly       | ↳199456 | - | 1 |
| 10 | ESL14206 | C5NE-6628-AA | Spring, Oil Pump Screen      | ↳215823 | - | 1 |
| 11 | ESL11920 | N-605519-S   | Bolt, Oil Pump               | ↳211058 | - | 4 |
| -  | 34805-S8 | 34805-S36    | Washer                       | ↳211058 | - | 4 |
| 12 | ESL10194 | C7NN-6A605-A | Shaft, Oil Pump Intermediate | ↳185844 | - | 1 |



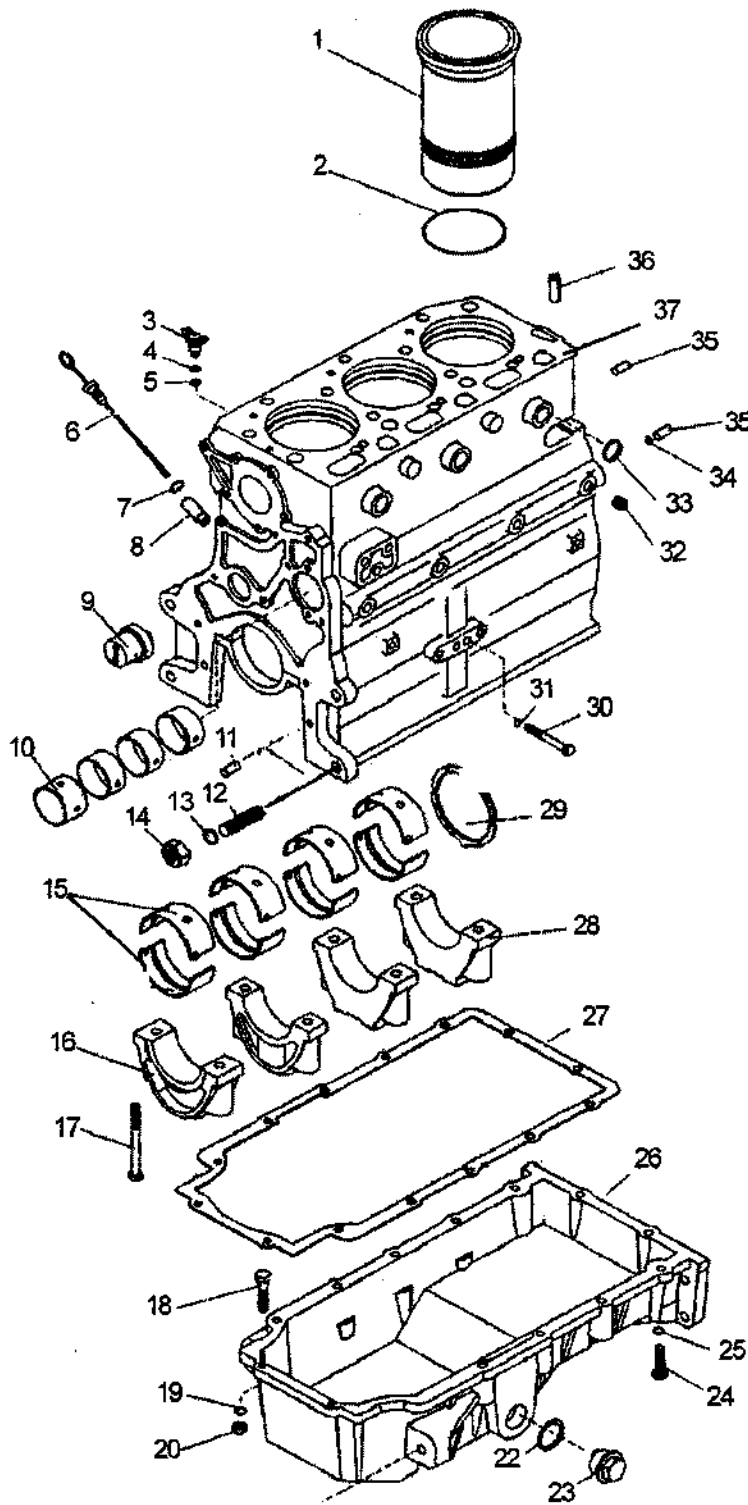
**CYLINDER BLOCK**

**1B:1**

**Ⓢ** - INDICATES SERVICE SERIAL NUMBER BREAKS, **⊣** - INDICATES UP TO AND INCLUDING THAT SERIAL NUMBER

| ITEM | LONG #      | VENDOR #      | DESCRIPTION                              | QTY.<br>35 |
|------|-------------|---------------|--|------------|
| 1    | ESL14207    | T77.01.011.0  | Cylinder Liner                           | 3          |
| 2    | ESL14208    | T77.01.010.0a | Cylinder Liner Seal                      | 6          |
| 3    | ESL14209    | 50.00025.0    | Water Drain Cock Assembly                | 1          |
| 4    | ESL14210    | 50.00026.0    | Washer                                   | 1          |
| 5    | ESL14211    | 50.00023.0a   | SealingWasher, Drain Cock                | 1          |
| 6    | ESL14212    | T77.01.802.0  | Oil Dip Stick                            | 1          |
| 7    | ESL14213    | T72.01.028.0  | O'Ring                                   | 2          |
| 8    | ESL14214    | T72.01.029.0b | Tube                                     | 1          |
| 9    | ESL14215    | T73.21.013.0  | Shaft Intermediate Gear                  | 1          |
| 10   | ESL14216    | SPD.394.000   | Cam Bush Set                             | 1          |
| 11   | ESL14217    | T77.01.006.0  | Positioning Dowel                        | 2          |
| 12   | ESL14218    | T77.01.031.0  | Stud, Front Axle Support                 | 4          |
| 13   | ESL14219    | 22-30056-AA   | Spring Washer (M20)                      | 4          |
| 14   | ESL14220    | 22-30057-AA   | Nut (M20x1.5-8)                          | 4          |
| 15   | ESL14221    | SPD.315.000   | Main Bearing Set Standard                | 1          |
| -    | ESL14222    | SPD.315.010   | Main Bearing Set - 10                    | 1          |
| -    | ESL14223    | SPD.315.020   | Main Bearing Set - 20                    | 1          |
| -    | ESL14224    | SPD.315.030   | Main Bearing Set - 30                    | 1          |
| 16   | ESL14225    | T77.01.002.0a | Cap, 1st, 2nd, 3rd Main Bearing          | 3          |
| 17   | ESL14226    | T77.01.003.0  | Bolt, Main BearingCap                    | 8          |
| 18   | N-605535-S8 | N-605535-S36  | Bolt (M8x40-8.8)                         | 2          |
| 19   | N-630173-S8 | N-630173-S36  | Washer, Lock (M8)                        | 2          |
| 20   | N-630013-S8 | N-630013-S36  | Nut (M8-8)                               | 2          |
| 21   | ESL14237    | T77.01.807.0  | Cylinder Block Assembly                  | 1          |
| 22   | ESL14227    | 50.10134.0    | Washer                                   | 1          |
| 23   | ESL14228    | 42.011.050    | Drain Plug Assembly                      | 1          |
| 24   | N-605546-S8 | N-605546-S36  | Screw (M10x30)                           | 12         |
| 25   | N-630069-S8 | N-630069-S36  | Washer (M10)                             | 12         |
| 26   | ESL14229    | T77.01.020.0a | Oil Sump                                 | 1          |
| 27   | ESL14230    | T77.01.019.0  | Gasket, Oil Sump                         | 1          |
| 28   | ESL14231    | T77.01.007.0a | Cap, Thrust Main Bearing                 | 1          |
| 29   | ESL14232    | SPD.380.000   | Thrust Washers Set                       | 1          |
| 30   | N-605547-S8 | N-605547-S36  | Bolt (M10x38-8.8)                        | 2          |
| 31   | N-630174-S8 | N-630174-S36  | Spring Washer                            | 2          |
| 32   | ESL.14233   | T77.01.022.0  | Pipe Plug (Taper Oil Gallery)            | 4          |
| 33   | ESL14234    | T73.21.007.0a | Plug, Cylinder Block                     | 3          |
| 34   | ESL14235    | T77.01.024.0  | Washer, Oil Gallery                      | 3          |
| 35   | ESL14236    | T77.01.021.0  | Dowel, Plug (Cylinder Block Oil Gallery) | 3          |
| 36   | ESL14238    | T77.01.025.0  | Dowel Sleeve                             | 2          |

**CYLINDER BLOCK**



**CYLINDER BLOCK**

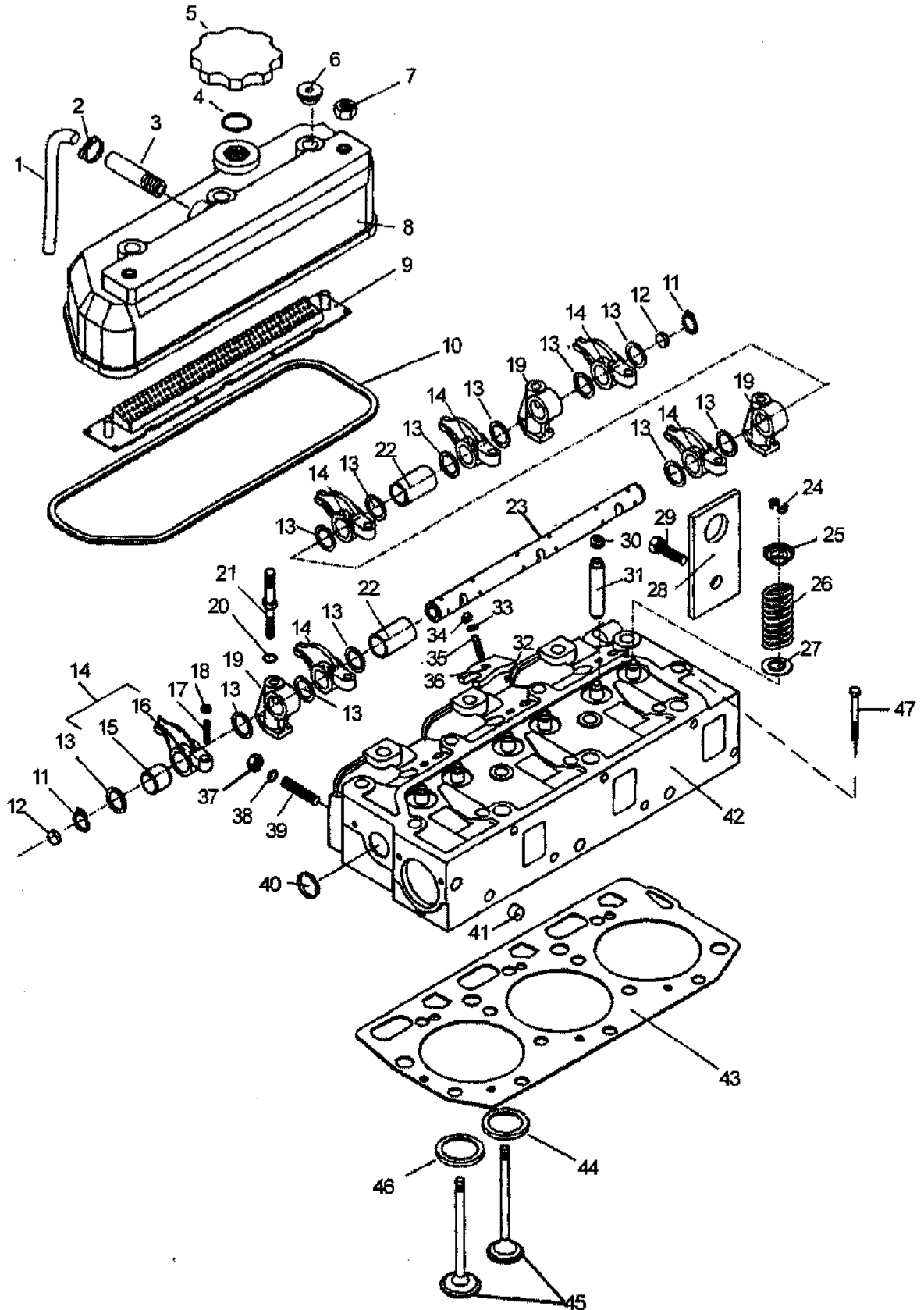
1B:3

Ⓢ - INDICATES SERVICE SERIAL NUMBER BREAKS,

↳ - INDICATES UP TO AND INCLUDING THAT SERIAL NUMBER

| <i>ITEM</i>                              | <i>LONG #</i> | <i>VENDOR #</i> | <i>DESCRIPTION</i>            | <i>QTY.</i> |
|--|---------------|-----------------|-------------------------------|-------------|
| <b>Service Kits &amp; Sub Assemblies</b> |               |                 |                               |             |
| 39                                       | ESL14239      | SPD.729.000     | Engine Overhaul Gasket Set    | 1           |
| 40                                       | ESL14240      | SPD.719.000     | D.C Gasket Kit                | 1           |
| 41                                       | ESL14241      | SPD.744.999     | Engine Overhauling Kit        | 1           |
| 42                                       | ESL14242      | SPD.630.000     | Engine Bearing Set - Standard | 1           |
| -  | ESL14243      | SPD.630.025     | Engine Bearing Set - 10       | 1           |
| -  | ESL14244      | SPD.630.050     | Engine Bearing Set - 20       | 1           |
| -  | ESL14245      | SPD.630.075     | Engine Bearing Set - 30       | 1           |
| 43                                       | ESL14246      | T00.06.830.0    | Engine Assembly               | 1           |

**CYLINDER BLOCK****Ⓢ** - INDICATES SERVICE SERIAL NUMBER BREAKS,**Ⓚ** - INDICATES UP TO AND INCLUDING THAT SERIAL NUMBER



CYLINDER HEAD

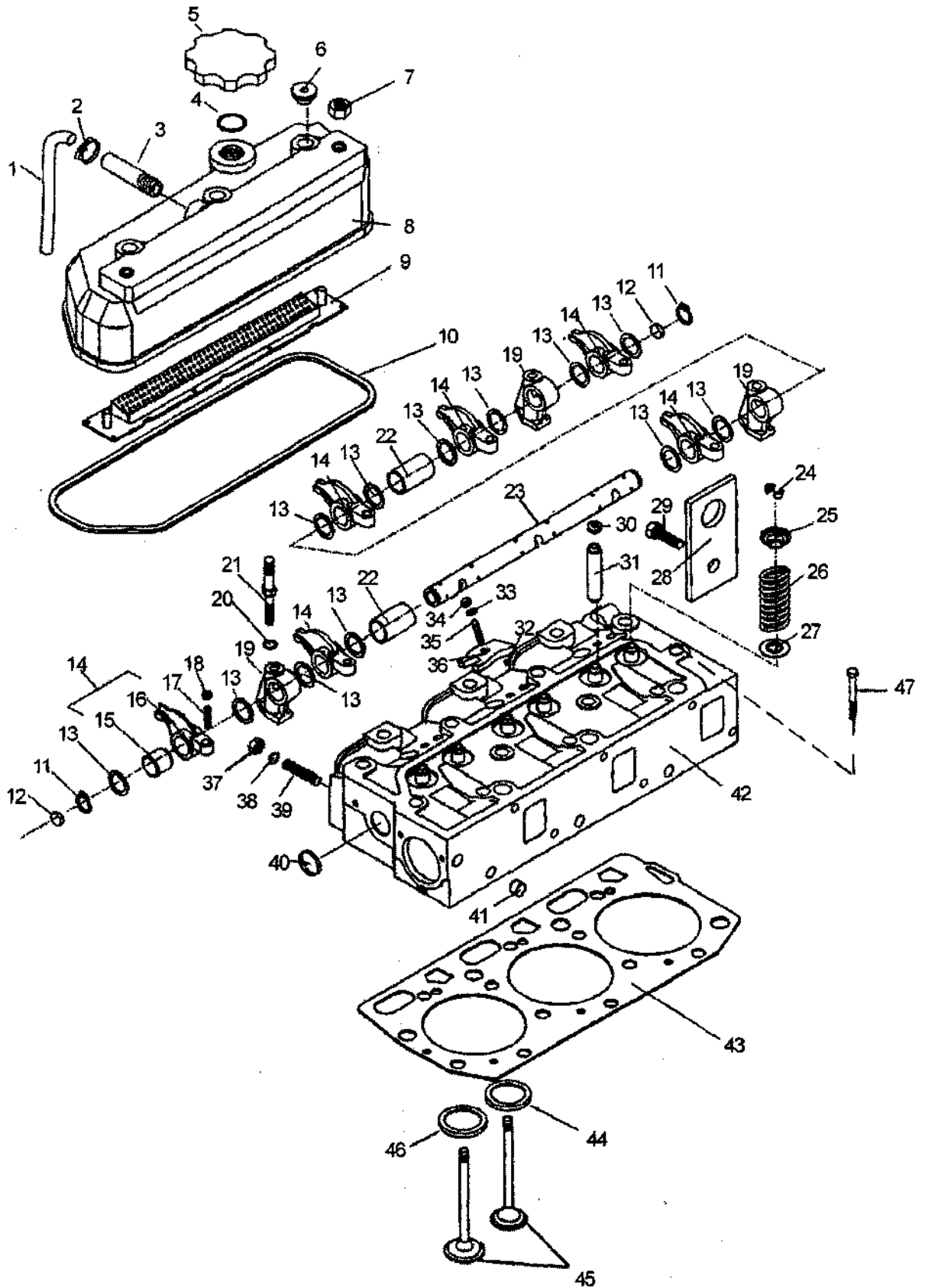
1B:5

Ⓢ - INDICATES SERVICE SERIAL NUMBER BREAKS,

⊣ - INDICATES UP TO AND INCLUDING THAT SERIAL NUMBER

| ITEM | LONG #      | VENDOR #      | DESCRIPTION               | QTY.      |
|------|-------------|---------------|---------------------------|-----------|
|      |             |               |                           | <b>35</b> |
| 1    | ESL14247    | T77.02.066.1  | Hose, Breather            | 1         |
| 2    | ESL14248    | 22-61101-AA   | Hose Clip                 | 2         |
| 3    | ESL14249    | T77.02.823.0  | Tube                      | 1         |
| 4    | ESL14250    | T77.02.036.0  | 'O'Ring Oil Filling Neck  | 1         |
| 5    | ESL14251    | T77.02.067.0  | Cap, Oil Filling          | 1         |
| 6    | ESL14252    | T73.22.015.0  | Washer Seal               | 3         |
| 7    | ESL14253    | N6.08         | Nylock Nut                | 3         |
| 8    | ESL14254    | T77.02.068.0  | Cylinder Head Cover       | 1         |
| 9    | ESL14255    | T77.02.8002.0 | Baffle Plate Assembly     | 1         |
| 10   | ESL14256    | T77.02.048.0  | Seal, Cylinder Head Cover | 1         |
| 11   | ESL14257    | C1.22x1.2     | Circlip-C (22x1.22)       | 2         |
| 12   | ESL14258    | T73.22.035.0  | Welch Plug                | 2         |
| 13   | ESL14259    | T73.22.029.0b | Washer, Rocker Shaft      | 12        |
| 14   | ESL14260    | T77.02.807.0  | Rocker Arm Assembly       | 6         |
| 15   | ESL14261    | T73.22.031.0  | Bush, Rocker Arm          | 6         |
| 16   | ESL14262    | T77.02.014.0  | Rocker Arm                | 6         |
| 17   | ESL14263    | 50.00121.2b   | Adjusting Screw (M10x1)   | 6         |
| 18   | N-620014-S8 | N-620014-S36  | Nut (M10x1)               | 6         |
| 19   | ESL14264    | T77.02.016.0  | Bracket, Rocker Shaft     | 3         |
| 20   | N-630174-S8 | N-630174-S36  | Washer, Lock (M10)        | 3         |
| 21   | ESL14265    | T77.02.047.0  | Bolt, R.A. Bracket        | 3         |
| 22   | ESL14266    | T77.02.025.0  | Spacer, Rocker Arm Shaft  | 2         |
| 23   | ESL14267    | T77.02.808.0  | Rocker Arm Shaft Assembly | 1         |
| 24   | ESL14268    | T77.02.044.0  | Cotter, Valve             | 12        |
| 25   | ESL14269    | T77.02.040.0  | Disc Valve Spring         | 6         |
| 26   | ESL14270    | T77.02.041.0  | Valve Spring              | 6         |
| 27   | ESL14271    | T77.02.039.0  | Seal, Valve Spring Lower  | 6         |
| 28   | ESL14272    | T73.22.044.0  | Lifting Plate             | 2         |
| 29   | N-605532-S8 | N-605532-S36  | Screw (M10x25-6.8)        | 2         |
| 30   | ESL14273    | T77.02.043.1  | Seal, Valve Stem          | 6         |
| 31   | ESL14274    | T77.02.004.0  | Valve Guide               | 6         |
| 32   | ESL14275    | T77.02.023.1  | Pin, Nozzle Holder        | 3         |
| 33   | ESL14276    | T77.02.028.0  | Washer Nozzle Holder      | 3         |
| 34   | N-620013-S8 | N-620013-S36  | Nut, Hex (M8)             | 3         |
| 35   | ESL14277    | T77.02.007.1  | Stud Nozzle Holder        | 3         |
| 36   | ESL14278    | T77.02.027.0b | Clamp, Injector           | 3         |
| 37   | N-620014-S8 | N-620014-S36  | Nut (M10-6)               | 6         |
| 38   | N-630174-S8 | N-630174-S36  | Spring Washer (M10)       | 6         |
| 39   | ESL14279    | 54.21.10.29a  | Stud (M10x30-8.8)         | 6         |
| 40   | ESL14280    | T73.21.007.0a | Plug, Welch               | 6         |

**CYLINDER HEAD**



**CYLINDER HEAD**

**1B:7**

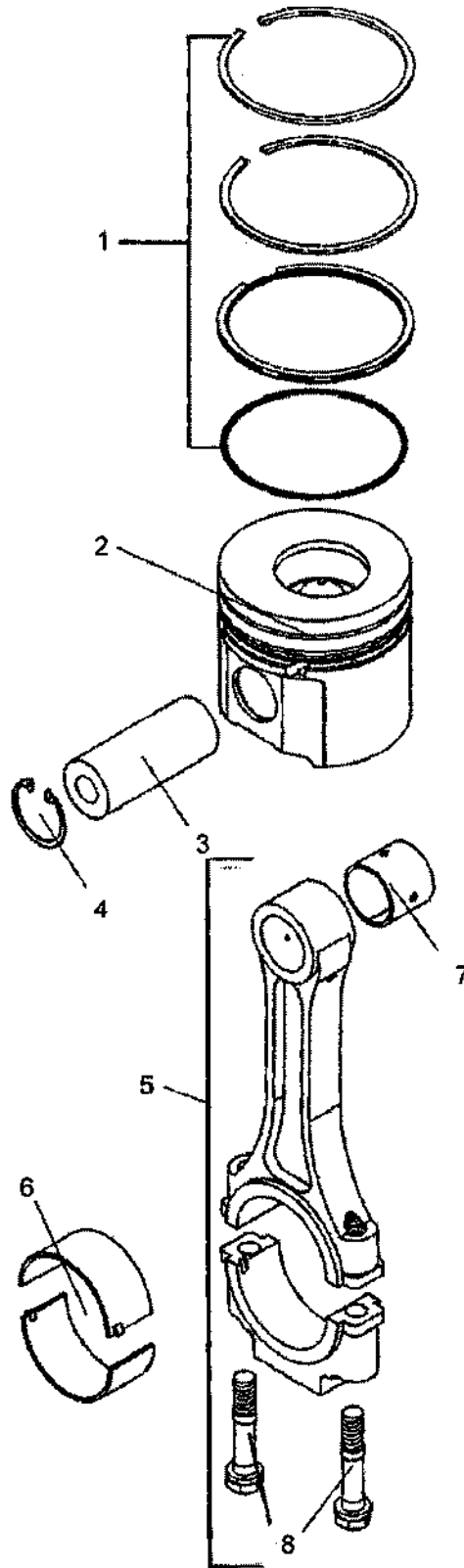
**(S)** - INDICATES SERVICE SERIAL NUMBER BREAKS,

**(L)** - INDICATES UP TO AND INCLUDING THAT SERIAL NUMBER



| <b>ITEM</b> | <b>LONG #</b> | <b>VENDOR #</b> | <b>DESCRIPTION</b>                      | <b>QTY.</b> |
|-------------|---------------|-----------------|---|-------------|
|             |               |                 |   | <b>35</b>   |
| 41          | ESL14281      | T73.22.007.0b   | Plug Cylinder Head (12")                | 3           |
| 42          | ESL14282      | T77.22.801.0h   | Cylinder Head Assembly (Without Valves) | 1           |
| 43          | ESL14283      | T77.02.801.0    | Gasket, Cylinder Head                   | 1           |
| 44          | ESL14284      | T77.02.019.0c   | Seat Ring, Inlet Valve                  | 3           |
| 45          | ESL14285      | SPD.519.520     | Valve Set                               | 3           |
| 46          | ESL14286      | T77.02.020.0c   | Seat Ring, Exhaust Valve                | 3           |
| 47          | ESL14287      | T77.01.012.0    | Bolt, Cylinder Head                     | 14          |

**CYLINDER HEAD****(S)**- INDICATES SERVICE SERIAL NUMBER BREAKS,**(K)**- INDICATES UP TO AND INCLUDING THAT SERIAL NUMBER



**PISTON & CONNECTING ROD**

**1B:9**

Ⓢ - INDICATES SERVICE SERIAL NUMBER BREAKS,

↙ - INDICATES UP TO AND INCLUDING THAT SERIAL NUMBER

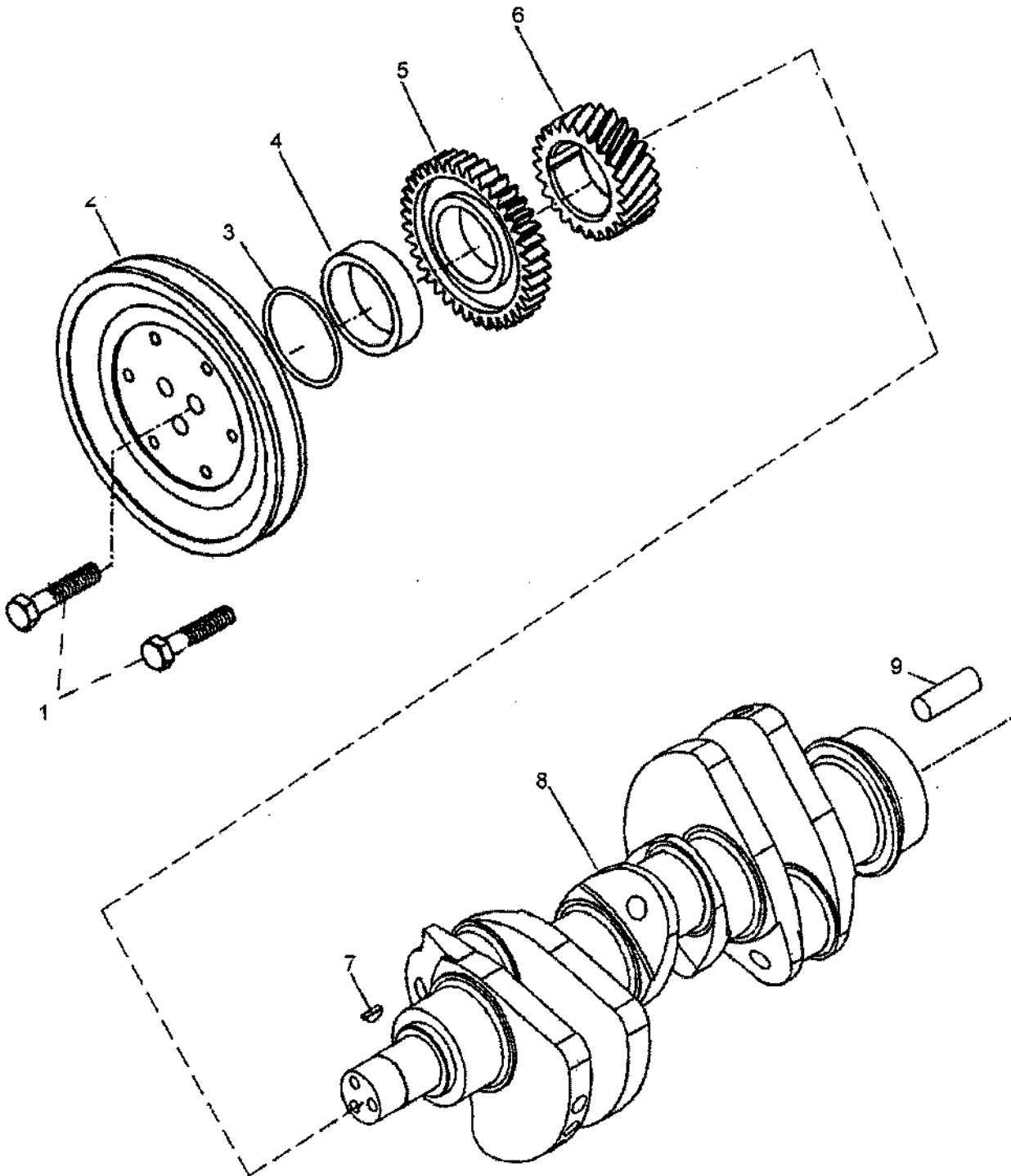
| <b>ITEM</b> | <b>LONG #</b> | <b>VENDOR #</b> | <b>DESCRIPTION</b>                      | <b>QTY.</b> |
|-------------|---------------|-----------------|---|-------------|
|             |               |                 |   | <b>35</b>   |
| 1           | ESL14288      | SPD.181.000     | Ring Set (Engine Set)                   | 1           |
| 2           | ESL14289      | SPD.182.100     | Piston Assembly (Engine Set With Rings) | 1           |
| 3           | -             | -               | Pin, Piston (NSS)                       | 3           |
| 4           | ESL14290      | T77.03.001.0    | Inner Circlip                           | 6           |
| 5           | ESL14291      | T77.23.801.0    | Connecting Rod Assembly                 | 3           |
| 6           | ESL14292      | SPD.430.000     | Connecting Rod Bearing Set - Standard   | 1           |
| -           | ESL14293      | SPD.430.010     | Connecting Rod Bearing Set - 10         | 1           |
| -           | ESL14294      | SPD.430.020     | Connecting Rod Bearing Set - 20         | 1           |
| -           | ESL14295      | SPD.430.030     | Connecting Rod Bearing Set - 30         | 1           |
| 7           | ESL14296      | SPD.649.000     | Bush Set Small End (Set of 3 Bushes)    | 1           |
| 8           | ESL14297      | T77.03.011.0    | Bolt, Connecting Rod                    | 6           |

**PISTON & CONNECTING ROD**

Ⓢ- INDICATES SERVICE SERIAL NUMBER BREAKS,

Ⓜ- INDICATES UP TO AND INCLUDING THAT SERIAL NUMBER

**1B:10**



**CRANKSHAFT & PULLEY**

**1B:11**

**Ⓢ**- INDICATES SERVICE SERIAL NUMBER BREAKS,

**∟**- INDICATES UP TO AND INCLUDING THAT SERIAL NUMBER

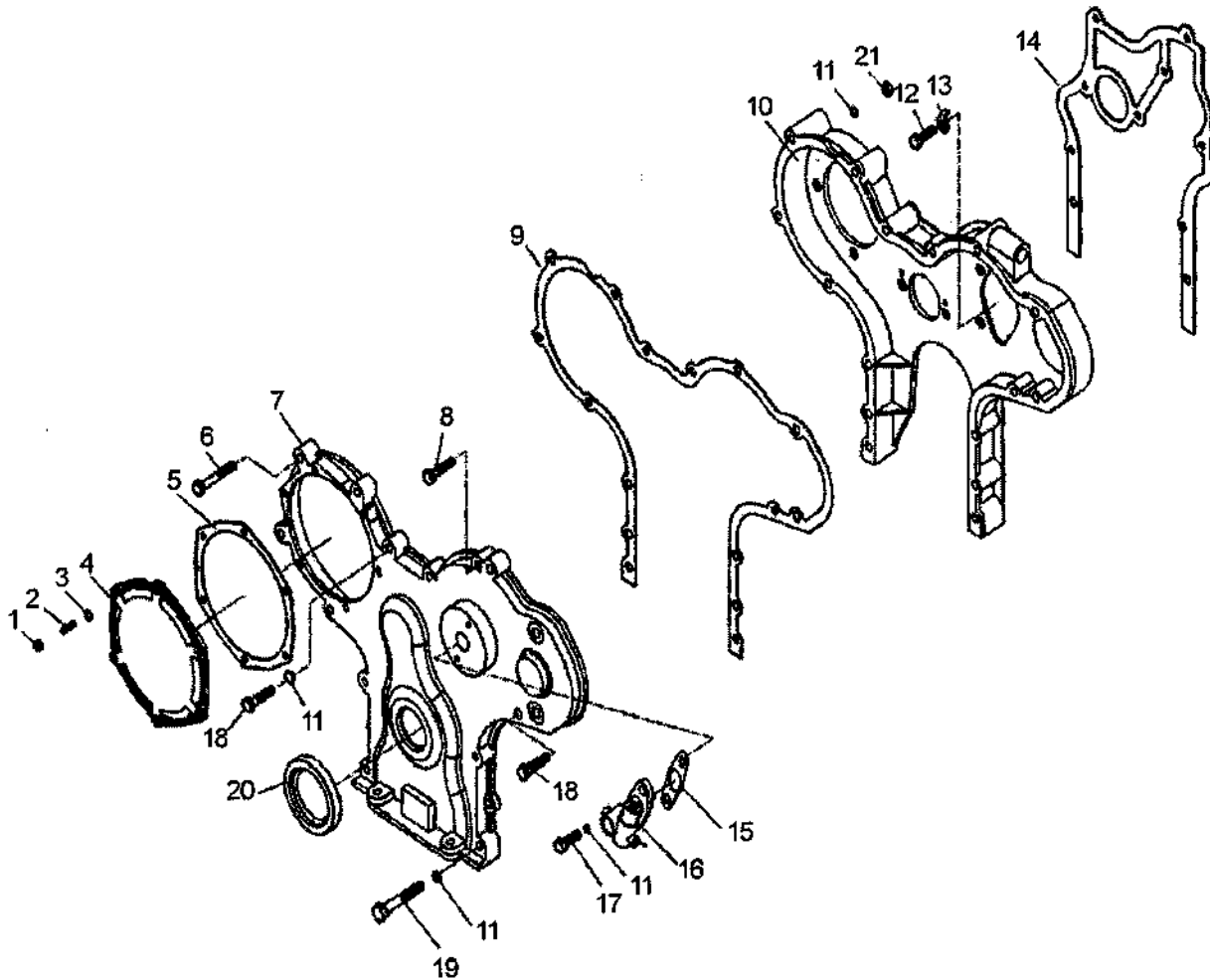


| <i>ITEM</i> | <i>LONG #</i> | <i>VENDOR #</i> | <i>DESCRIPTION</i>       | <i>QTY.</i> |
|-------------|---------------|-----------------|--------------------------|-------------|
|             |               |                 |                          | <b>35</b>   |
| 1           | ESL14298      | T77.04.006.0    | Bolt                     | 3           |
| 2           | ESL14299      | T77.04.004.0    | Crank Pulley             | 1           |
| 3           | ESL14300      | T77.04.005.0    | O'Ring For Spacer        | 1           |
| 4           | ESL14301      | T77.04.003.0    | Spacer, Crank Pulley     | 1           |
| 5           | ESL14302      | T77.04.002.0a   | Gear, Crank Shaft L.O.P. | 1           |
| 6           | ESL14303      | T77.04.007.0    | Gear (Z-24)              | 1           |
| 7           | ESL14304      | 5.28.04.0       | Woodruff Key             | 1           |
| 8           | ESL14305      | T77.24.001.0    | Crank Shaft              | 1           |
| 9           | ESL14306      | 50.10256.0a     | Positioning Dowel        | 2           |

**CRANKSHAFT & PULLEY**

**(S)**- INDICATES SERVICE SERIAL NUMBER BREAKS,

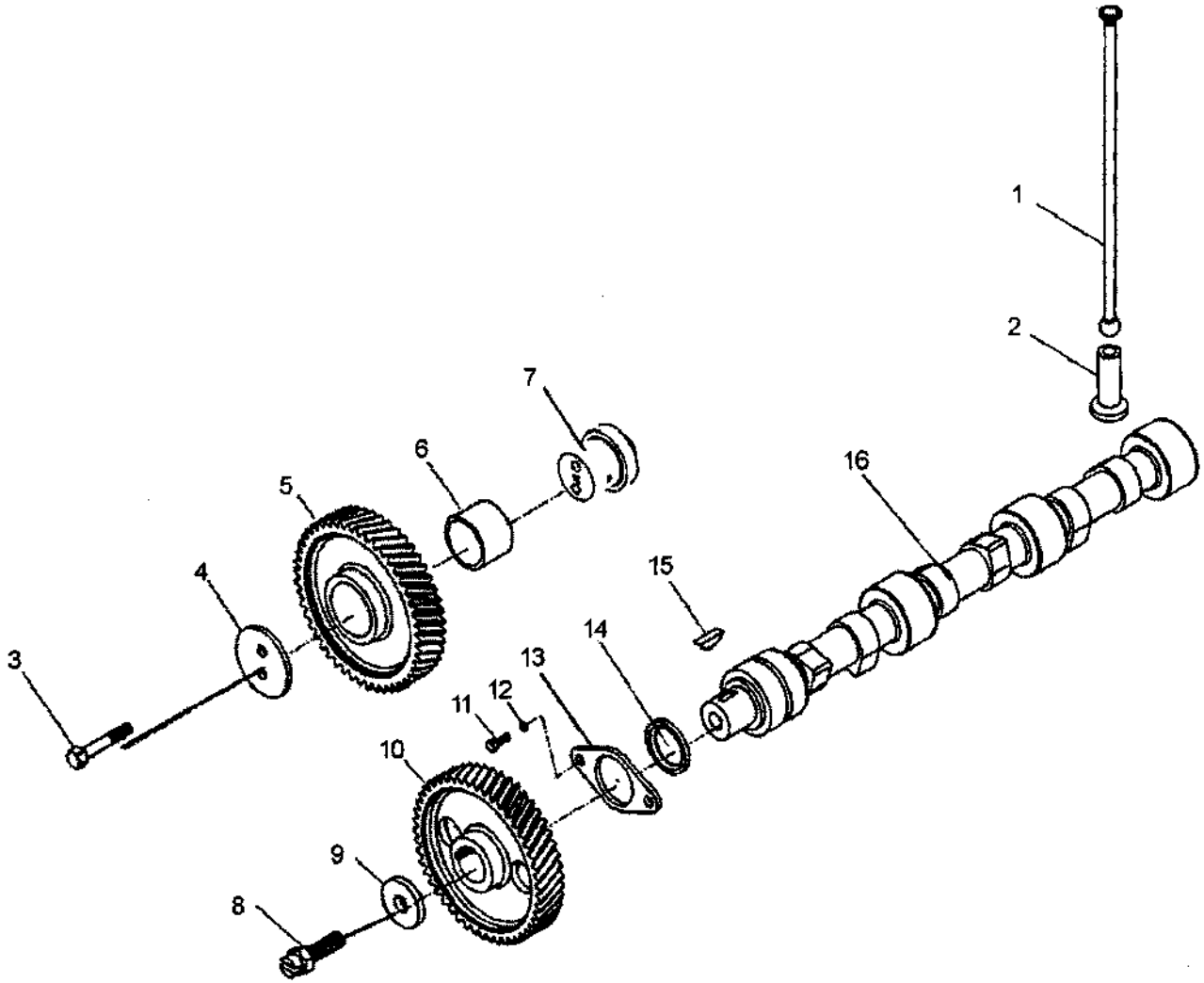
**(L)**- INDICATES UP TO AND INCLUDING THAT SERIAL NUMBER



**TIMING GEAR COVER & SEALING**

| ITEM | LONG #      | VENDOR #      | DESCRIPTION                 | QTY.      |
|------|-------------|---------------|-----------------------------|-----------|
|      |             |               |                             | <b>35</b> |
| 1    | N-620012-S8 | N-620012-S36  | Nut (M6)                    | 5         |
| 2    | ESL14307    | T72.05.008.0a | Stud, Inspection Cover      | 5         |
| 3    | N-630172-S8 | N-630172-S36  | Spring Washer               | 5         |
| 4    | ESL14308    | T77.05.007.0a | Inspection Cover            | 1         |
| 5    | ESL14309    | T77.05.006.0a | Gasket , Inspection Cover   | 1         |
| 6    | N-605539-S8 | N-605539-S36  | Bolt                        | 5         |
| 7    | ESL14310    | T77.05.018.0  | Timing Gear Cover           | 1         |
| 8    | N-605532-S8 | N-605532-S36  | Bolt (M8x25)                | 1         |
| 9    | ESL14311    | T77.05.020.0b | Gasket Timing Gear Cover    | 1         |
| 10   | ESL14312    | T77.05.019.0a | Timing Gear Housing         | 1         |
| 11   | N-630173-S8 | N-630173-S36  | Spring Washer (M8)          | 17        |
| 12   | N-605531-S8 | N-605531-S36  | Bolt                        | 5         |
| 13   | ESL14313    | 54.61.05.02   | Tab Washer                  | 5         |
| 14   | ESL14314    | T77.05.004.0  | Gasket, Timing Gear Housing | 1         |
| 15   | ESL14315    | T72.05.014.0  | Gasket, Tacho Drive Unit    | 1         |
| 16   | ESL14316    | T77.05.802.0  | Tacho Drive Unit            | 1         |
| 17   | ESL14317    | 54.21.06.28   | Screw (M8-18)               | 2         |
| 18   | ESL14318    | B1.08.65-8.8  | Bolt                        | 7         |
| 19   | ESL14319    | B1.08.80-8.8  | Bolt                        | 2         |
| 20   | ESL14320    | T73.24.010.0  | Oil Seal (Viton)            | 1         |
| 21   | N-620013-S8 | N-620013-S36  | Nut (M8-8)                  | 6         |

**TIMING GEAR COVER & SEALING**



**TIMING GEAR & CAMSHAFT**

**1B:15**

Ⓢ- INDICATES SERVICE SERIAL NUMBER BREAKS,

∨- INDICATES UP TO AND INCLUDING THAT SERIAL NUMBER

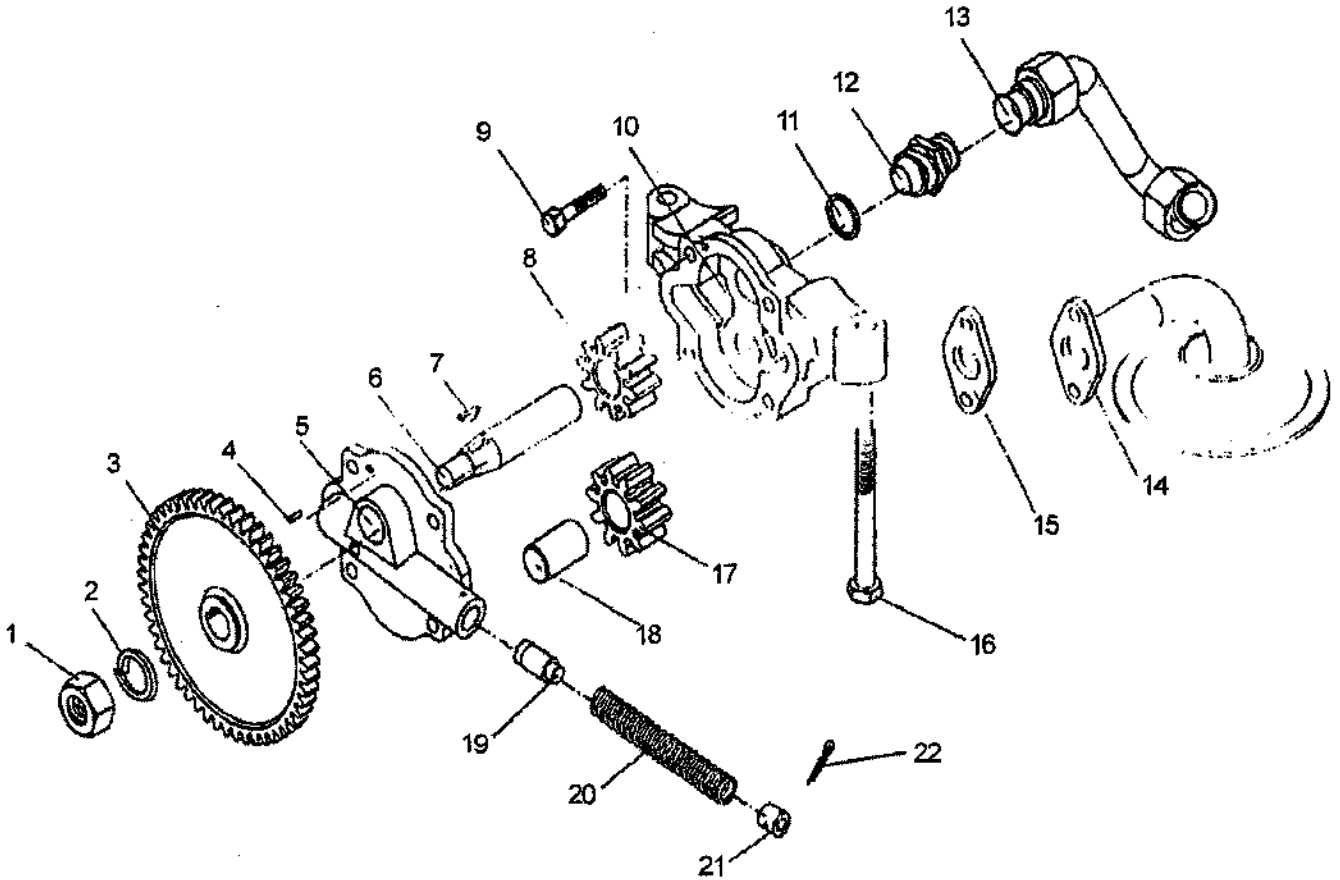


| <b>ITEM</b> | <b>LONG #</b> | <b>VENDOR #</b> | <b>DESCRIPTION</b>                | <b>QTY.</b> |
|-------------|---------------|-----------------|-----------------------------------|-------------|
|             |               |                 |                                   | <b>35</b>   |
| 1           | ESL14335      | T77.06.002.0    | Push Rod                          | 6           |
| 2           | ESL14334      | T77.06.003.0    | Tappet                            | 6           |
| 3           | ESL14321      | B1.08.70-8.8    | Bolt                              | 2           |
| 4           | ESL14322      | T73.26.004.0a   | Thrust Plate (For Idler Gear)     | 1           |
| 5           | ESL14323      | T77.06.801.0    | Intermediate Gear Assembly        | 1           |
| 6           | ESL14324      | 50.00211.0      | Bush, Intermediate Gear           | 1           |
| 7           | ESL14325      | T73.21.013.0    | Shaft, Intermediate Gear          | 1           |
| 8           | ESL14326      | T73.26.008.0    | Bolt, Cam Shaft (For Tacho Drive) | 1           |
| 9           | ESL14327      | T73.26.001.0a   | Thrust Plate, Cam Shaft           | 1           |
| 10          | ESL14328      | T77.06.007.0    | Gear, Camshaft (Z-48)             | 1           |
| 11          | ESL14329      | 54.21.06.28     | Bolt (M8x20)                      | 2           |
| 12          | N-630173-S8   | N-630173-S36    | Spring Washer (M8)                | 2           |
| 13          | ESL14330      | T77.06.004.0    | Thrust Flange, Camshaft           | 1           |
| 14          | ESL14331      | T77.06.005.0    | Ring, Thrust Flange               | 1           |
| 15          | ESL14332      | 5.28.04.0       | Woodruff Key                      | 1           |
| 16          | ESL14333      | T77.06.001.0    | Cam Shaft                         | 1           |

**TIMING GEAR & CAMSHAFT**

(S) - INDICATES SERVICE SERIAL NUMBER BREAKS,

(L) - INDICATES UP TO AND INCLUDING THAT SERIAL NUMBER



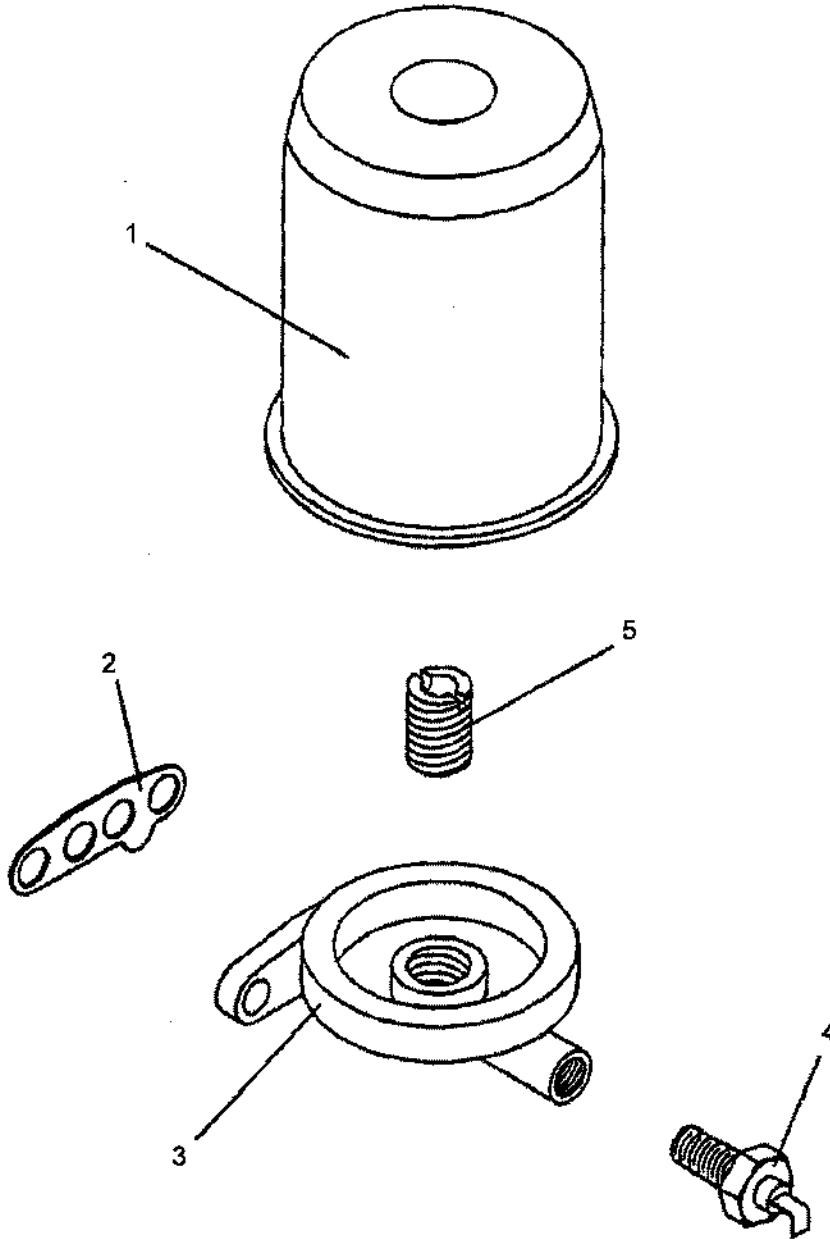
**LUBE OIL PUMP**

**1B:17**

**Ⓢ**- INDICATES SERVICE SERIAL NUMBER BREAKS, **∟**- INDICATES UP TO AND INCLUDING THAT SERIAL NUMBER

| ITEM | LONG #      | VENDOR #      | DESCRIPTION                                   | Qty.      |
|------|-------------|---------------|---|-----------|
|      |             |               |   | <b>35</b> |
| -    | ESL14336    | T77.11.807.1  | Lube Oil Pump Assembly (without Driving Gear) | 1         |
| 1    | N-620016-S8 | N-620016-S36  | Nut, Hex (M14x1.5-6)                          | 1         |
| 2    | N-630176-S8 | N-630176-S36  | Spring Washer                                 | 1         |
| 3    | ESL14337    | T77.11.001.2  | Gear, Pump Driving                            | 1         |
| 4    | ESL14338    | 54.27.01.042a | Dowel, Lube Oil Pump                          | 2         |
| 5    | -           | -             | Pump Cover (NSS)                              | 1         |
| 6    | ESL14339    | T77.11.009.1  | L.O.P. Driving Shaft                          | 1         |
| 7    | ESL14340    | T77.11.006.0  | Woodruff Key                                  | 2         |
| 8    | ESL14341    | T77.11.007.1a | Gear Driving                                  | 1         |
| 9    | N-605529-S8 | N-605529-S36  | Bolt (M8x18-6.8)                              | 4         |
| 10   | -           | -             | Oil Pump Body (NSS)                           | 1         |
| 11   | ESL14342    | 50.02116.0    | Sealing Washer                                | 1         |
| 12   | ESL14343    | 8.11.29.0     | Adaptor                                       | 2         |
| 13   | ESL14344    | T77.11.802.0  | Delivery Pipe Assembly                        | 1         |
| 14   | ESL14345    | T77.11.801.0  | Suction Pipe Assembly                         | 1         |
| 15   | ESL14346    | 50.10310.0    | Gasket, Suction Assembly                      | 1         |
| 16   | N-605549-S8 | N-605549-S36  | Bolt  | 2         |
| 17   | ESL14347    | T77.11.008.1b | Gear Driven                                   | 1         |
| 18   | ESL14348    | T77.11.010.0a | Shaft, Driven Gear                            | 1         |
| 19   | ESL14349    | 50.10053.0    | Valve Plunger (Valve Piston)                  | 1         |
| 20   | ESL14350    | T77.11.011.0  | Spring  | 1         |
| 21   | ESL14351    | 50.10306.0    | Regulation Pipe                               | 1         |
| 22   | ESL14352    | 54.28.01.16   | Split Pin (3.2x32)                            | 1         |

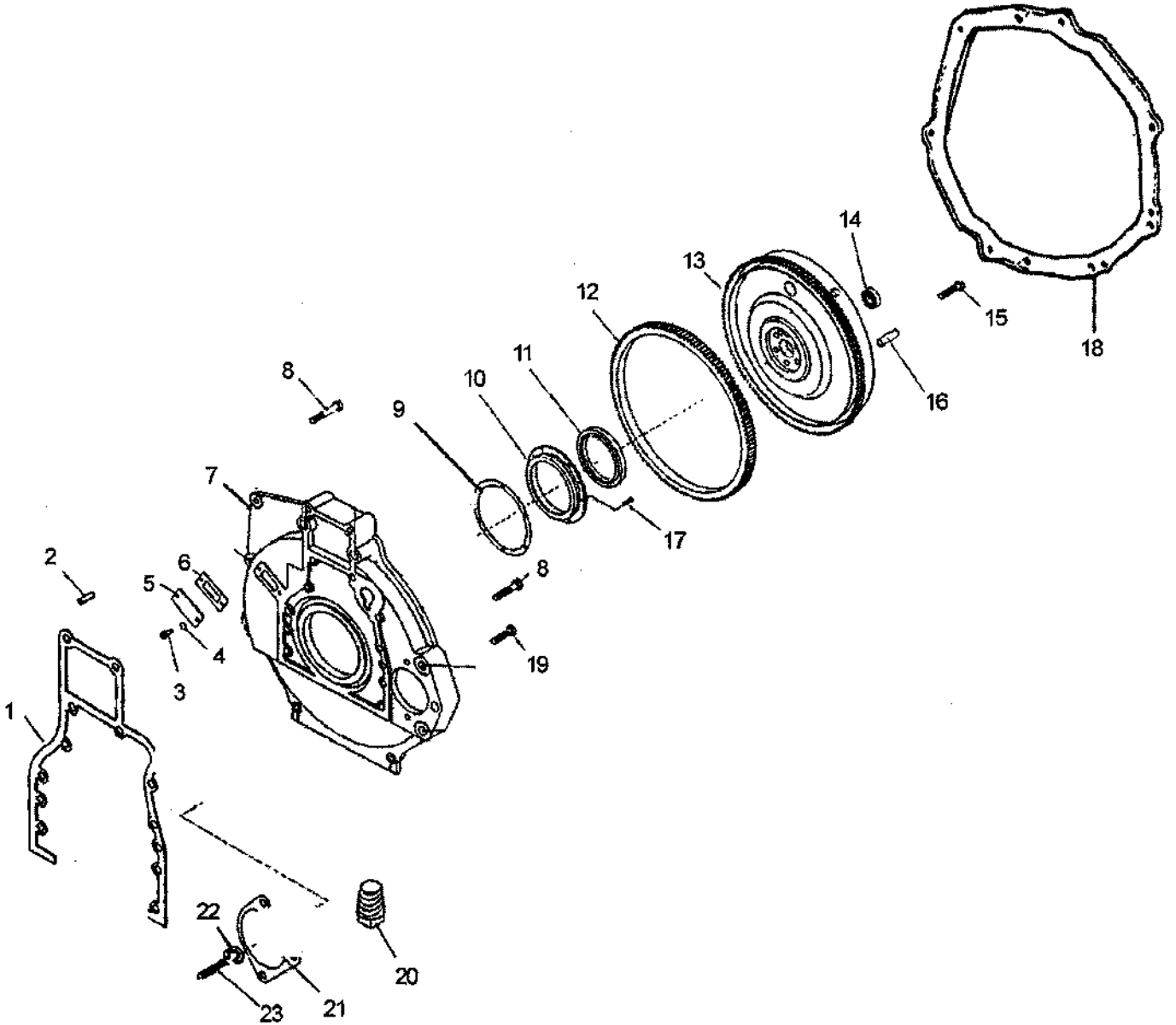
**LUBE OIL PUMP**



**OIL FILTER ASSEMBLY**

| <b>ITEM</b> | <b>LONG #</b> | <b>VENDOR #</b> | <b>DESCRIPTION</b>              | <b>QTY.</b> |
|-------------|---------------|-----------------|---------------------------------|-------------|
|             |               |                 |                                 | <b>35</b>   |
| 1           | ESL10083      | 79NH-6714-AA    | Oil Filter Assembly             | 1           |
| 2           | ESL14551      | T77.12.001.0    | Gasket                          | 1           |
| 3           | ESL14552      | T77.32.001.0    | Bracket Oil Filter              | 1           |
| 4           | ESL11400      | F1NN-9278-A     | Switch Assembly Oil Pressure    | 1           |
| 5           | ESL10082      | D0NN-6890-A     | Insert Oil Filter Mounting Bolt | 1           |

**OIL FILTER ASSEMBLY****(S)**- INDICATES SERVICE SERIAL NUMBER BREAKS,**(L)**- INDICATES UP TO AND INCLUDING THAT SERIAL NUMBER**1B:20**



**ADAPTER PLATE & FLYWHEEL**

| <i>ITEM</i> | <i>LONG #</i> | <i>VENDOR #</i> | <i>DESCRIPTION</i>                           | <i>QTY.</i> |
|-------------|---------------|-----------------|--|-------------|
|             |               |                 |  | <b>35</b>   |
| 1           | ESL14353      | T77.16.003.0a   | Gasket, Flywheel Housing                     | 1           |
| 2           | ESL14354      | T73.16.002.0    | Dowel  | 1           |
| 3           | ESL14355      | 22-60441-AA     | Screw, Hex (M6x15-8.8)                       | 2           |
| 4           | N-630172-S8   | N-630172-S36    | Washer, Lock (M6)                            | 2           |
| 5           | ESL14356      | 22-60438-AA     | Cover Plate Flywheel Access                  | 1           |
| 6           | ESL14357      | 22-60439-AB     | Gasket, Cover Plate Flywheel Access          | 1           |
| 7           | ESL14358      | T77.16.013.08   | Adpter Plate M/C                             | 1           |
| 8           | ESL14359      | 50.10161.0a     | Bolt (M12x45-10.9)                           | 3           |
| 9           | ESL14360      | T77.16.005.0    | Gasket, Seal Carrier                         | 1           |
| 10          | ESL14553      | T77.16.004.1    | Seal Carrier                                 | 1           |
| 11          | ESL14361      | 54.51.02.01/F   | Oil Seal (Sealing Ring)                      | 1           |
| -           | ESL14362      | T73.24.011.0    | Oil Seal (Viton)                             | 1           |
| 12          | ESL14363      | T77.16.015.0a   | Gear Ring, Fly Wheel                         | 1           |
| 13          | ESL14364      | T77.36.807.0    | Fly Wheel Assembly                           | 1           |
| 14          | ESL14365      | 8.18.02.0/1     | Bearing, Clutch Pilot                        | 1           |
| 15          | ESL14366      | 50.00558.0a     | Bolt (Fly Wheel Mounting to Crank Shaft)     | 6           |
| 16          | ESL14367      | 5.16.14.0a      | Positioning Dowel                            | 1           |
| 17          | N-605515-S8   | N-605515-S36    | Bolt, Seal Carrier (M6x12)                   | 6           |
| 18          | ESL10080      | DONN-6N012-A    | Gasket Adapter Plate to Transmission Housing | 1           |
| 19          | ESL14585      | 50.00022.0f     | Screw (M12x35-10.9)                          | 8           |
| 20          | ESL14369      | 8.16.07.0       | Taper Plug                                   | 1           |
| 21          | ESL14370      | 22-13101-AA     | Gasket Starter Motor                         | 1           |
| 22          | 34807-S8      | 34807-S36       | Washer (3/8)                                 | 3           |
| 23          | 304722-S8     | 304722-S36      | Bolt (3/8)                                   | 3           |

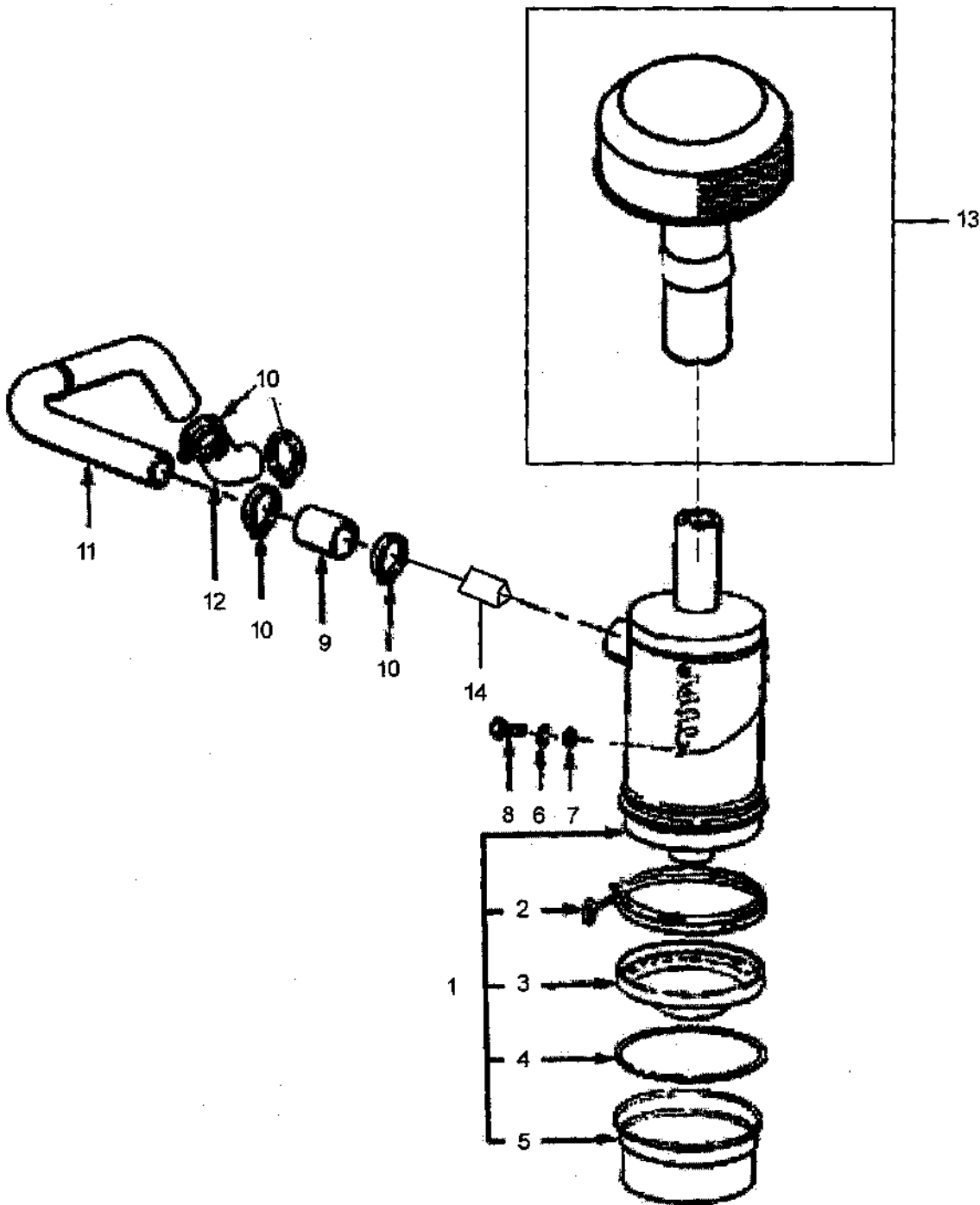
**ADAPTER PLATE & FLYWHEEL**

---

**NOTES**



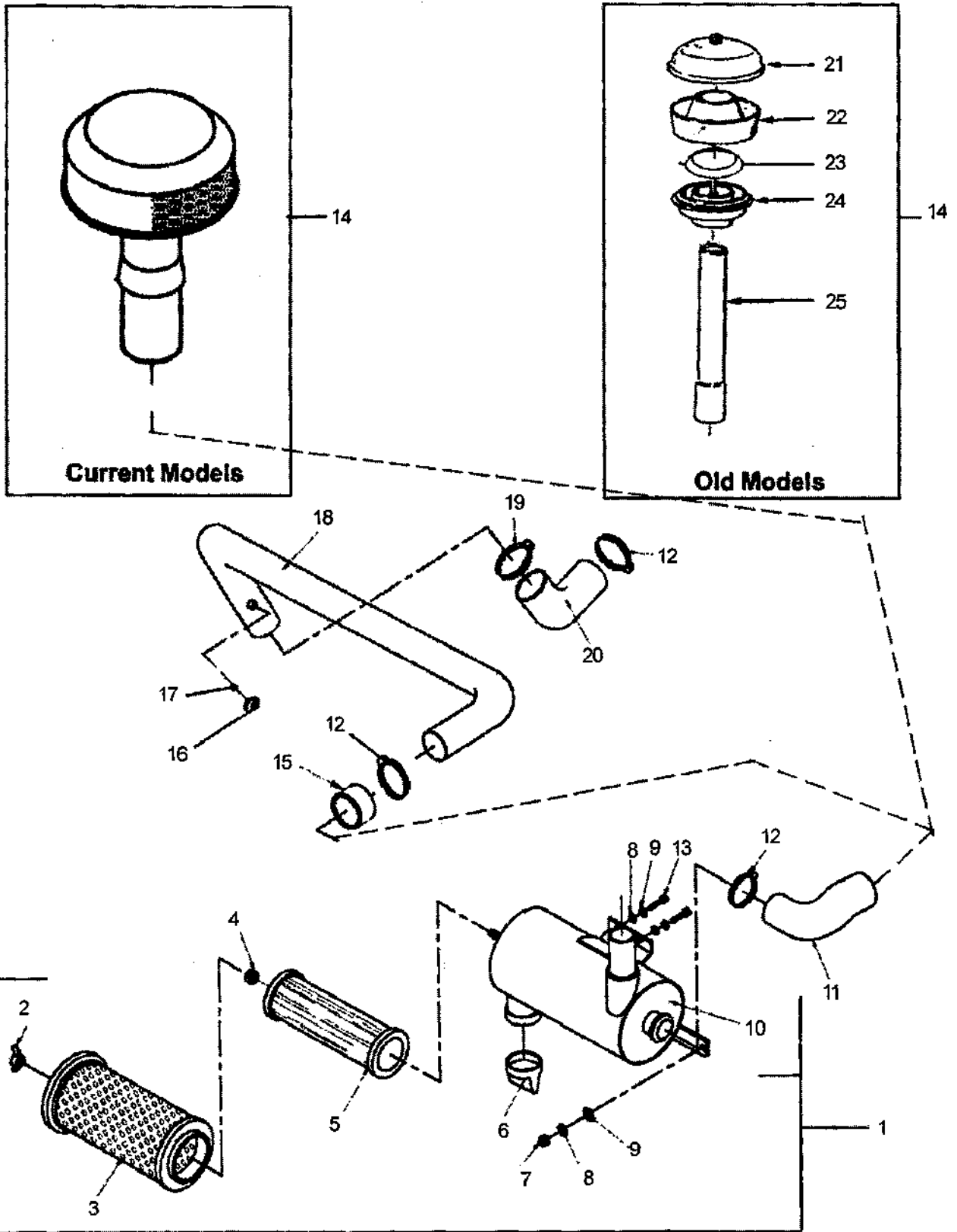
# ***AIR INTAKE & EXHAUST SYSTEM***



**AIR CLEANER - OIL BATH TYPE (FT45 - OLD VERSION)**

| ITEM | LONG #     | VENDOR #      | DESCRIPTION   | QTY. |    |    |
|------|------------|---------------|---|------|----|----|
|      |            |               |   | 35   | 45 | 60 |
| 1    | ESL12164   | 82835393      | Air Cleaner Assembly  | -    | 1  | -  |
| 2    | ESL10204   | C5NE-9628-B   | Clamp Assembly  | -    | 1  | -  |
| 3    | ESL12153   | 71NH-9A638-A  | Plate, Oil Baffle   | -    | 1  | -  |
| 4    | ESL10206   | 82835391      | Sealing Ring  | -    | 1  | -  |
| 5    | ESL12154   | C7NN-9658-C   | Cup, Air Cleaner Oil  | -    | 1  | -  |
| 6    | 34806-S8   | 34806-S36     | Washer, Lock (5/16)   | -    | 4  | -  |
| 7    | 44722-S8   | 44722-S36     | Washer, Flat (5/16)   | -    | 4  | -  |
| 8    | 304649-S8  | 304649-S36    | Bolt, Hex Head (5/16 - 24 x 3/4)                                  | -    | 4  | -  |
| 9    | ESL10208   | 82NH-9N623-AA | Hose, Tube Connector  | -    | 1  | -  |
| 10   | ESL10227   | 81NH-9613-AA  | Clamp Assembly  | -    | 4  | -  |
| 11   | ESL12162   | 82NH-9B642-A  | Tube, Air Cleaner Outlet  | -    | 1  | -  |
| 12   | ESL10224   | 82NH-9B640-AA | Hose, Air Cleaner Outlet  | -    | 1  | -  |
| 13   | ESL12070   | 12-90680-AB   | Cap & Extension Assembly<br>(Note: Up To & Including BSN #289924) | -    | 1  | -  |
| 14   | 375057-S   | 375057-S      | Grommet (Radiator Shell) (NI)                                     | -    | 1  | -  |
| 15   | ESL14371   | 82NH-9N943-AA | Strap, Air Cleaner  | -    | 1  | -  |
| 16   | ESL14372   | 12-90620-AA   | Bracket, Air Cleaner Mounting                                     | -    | 1  | -  |
| 17   | N-605545-S | N-605545-S    | Bolt (M10)  | -    | 2  | -  |

**NOTE:** Used only on FT-45 up to Serial Number #289924

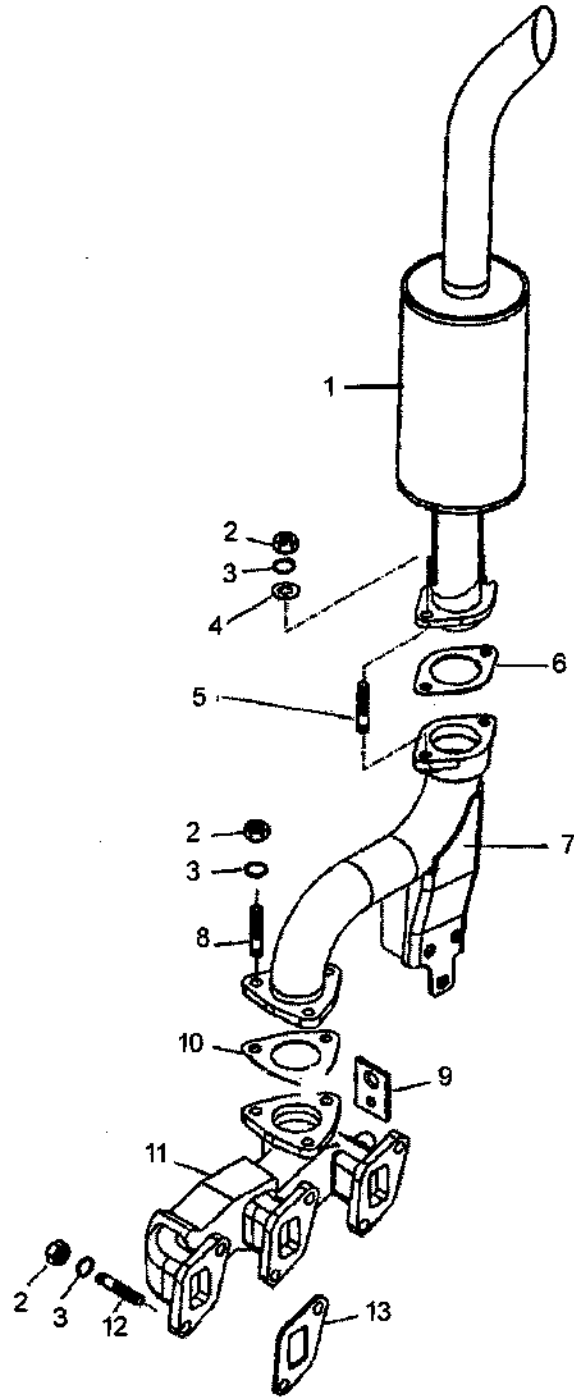
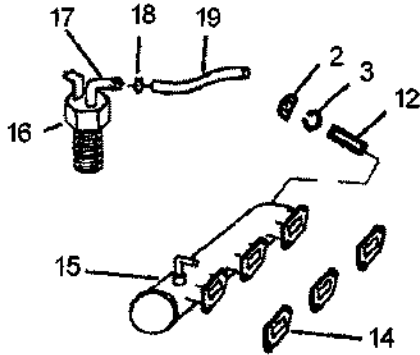


AIR CLEANER - DRY ELEMENT TYPE

| ITEM | LONG #      | VENDOR #     | DESCRIPTION                                     | QTY. |    |    |
|------|-------------|--------------|---|------|----|----|
|      |             |              |   | 35   | 45 | 60 |
| 1    | ESL12513    | 11-90420-AA  | Air Cleaner Assembly, Dry (Includes Items 2-10) | 1    | 1  | 1  |
| 2    | ESL11836    | 11-90105-AA  | Wing Nut  | 1    | 1  | 1  |
| 3    | ESL10221    | D5NN-9B818-A | Filter Element, Primary                         | 1    | 1  | 1  |
| 4    | N-605542-S8 | N-605542-S36 | Nut   | 1    | 1  | 1  |
| 5    | ESL10222    | D5NN-9R500-A | Filter Element, Safety (Inner)                  | 1    | 1  | 1  |
| 6    | ESL10229    | 11-90109-AA  | Bleed Valve                                     | 1    | 1  | 1  |
| 7    | N-620042-S8 | N-620042-S36 | Nut   | 2    | 2  | 2  |
| 8    | N-630174-S8 | N-630174-S36 | Washer, Lock (M10)                              | 4    | 4  | 4  |
| 9    | ESL11956    | N-630069-S36 | Washer, Flat (M10x21x2.25)                      | 4    | 4  | 4  |
| 10   | -           | -            | Housing, Dry Air Cleaner (NSS)                  | 1    | 1  | 1  |
| 11   | ESL11837    | 11-90107-AA  | Hose, Air Cleaner Outlet                        | 1    | 1  | 1  |
| 12   | ESL12083    | 12-90380-AA  | Clamp Assembly                                  | -    | 3  | 3  |
| 13   | 304650-S8   | 304650-S36   | Bolt, Hex Head (3/8-16x0.75)                    | 2    | 2  | 2  |
| 14   | Ⓢ ESL12071  | 12-90680-AB  | Cap & Extension Assembly                        | 1    | 1  | 1  |
| 15   | ESL10231    | 11-90575-AA  | Grommet   | 1    | 1  | 1  |
| 16   | ESL12617    | 12-90522-AA  | Indicator                                       | 1    | 1  | 1  |
| 17   | ESL12616    | 12-90515-AA  | Gasket Indicator                                | 1    | 1  | 1  |
| 18   | Ⓢ ESL12515  | 82835439     | Tube Assembly - Dry Air Cleaner Outlet          | -    | 1  | 1  |
| -    | ESL14373    | 22-90540-AA  | Tube Assembly - Dry Air Cleaner Outlet          | 1    | -  | -  |
| 19   | ESL10227    | 81NH-9613-AA | Clamp Assembly                                  | 1    | 1  | 1  |
| 20   | ESL12618    | 11-90640-BB  | Hose, Air Cleaner Outlet, Lower                 | -    | 1  | 1  |
| -    | ESL14374    | 22-90542-AA  | Hose, Air Cleaner Outlet, Lower                 | 1    | -  | -  |

#### Service Serial Number Breaks:

|    |          |               |                                       |          |   |   |   |
|----|----------|---------------|---------------------------------------|----------|---|---|---|
| 14 | ESL10219 | 93NH-9A660-AA | Pre-Cleaner Assembly, Air             | ⌞ 289701 | - | - | 1 |
| 18 | ESL12632 | 11-90540-AA   | Tube Assembly, Dry Air Cleaner Outlet | ⌞ 289701 | - | - | 1 |
| 21 | ESL14375 | 82NH-9A664-AA | Cover Assembly, Air Pre-Cleaner       | ⌞ 289701 | - | - | 1 |
| 22 | ESL10210 | 82NH-9A663-AA | Body, Air Pre-Cleaner                 | ⌞ 289701 | - | - | 1 |
| 23 | ESL10214 | 93NH-9N660-AA | Shroud, Pre-Cleaner                   | ⌞ 289701 | - | - | 1 |
| 24 | ESL10213 | 93NH-9A667-AA | Base Assembly, Air Pre-Cleaner        | ⌞ 289701 | - | - | 1 |
| 25 | ESL14376 | 11-90770-AA   | Extension Assembly, Dry Air Cleaner   | ⌞ 289701 | - | - | 1 |



**INTAKE MANIFOLD & EXHAUST SYSTEM**

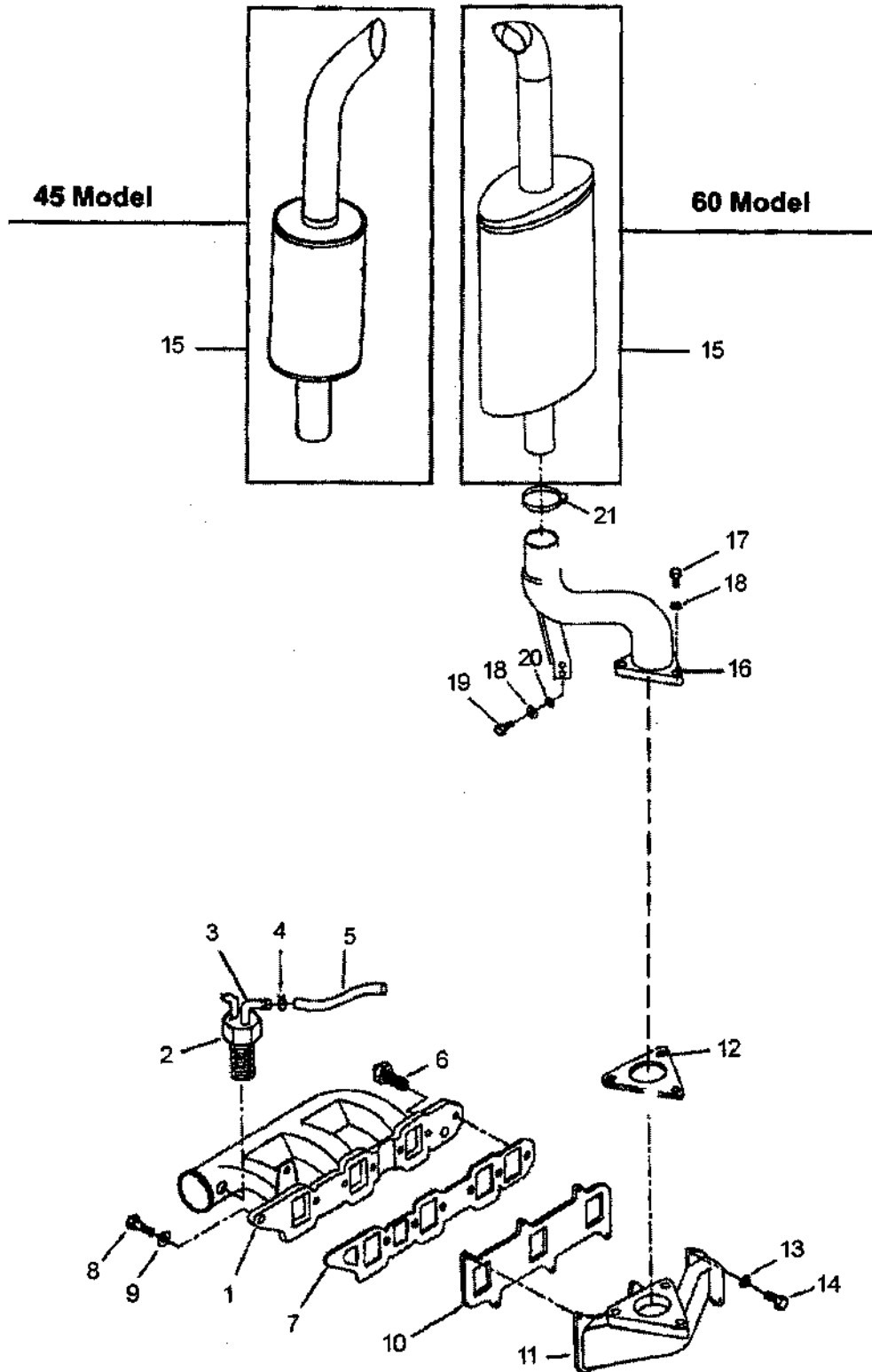
**2:5**

**Ⓢ** - INDICATES SERVICE SERIAL NUMBER BREAKS,

**↳** - INDICATES UP TO AND INCLUDING THAT SERIAL NUMBER

| <i>ITEM</i> | <i>LONG #</i> | <i>VENDOR #</i> | <i>DESCRIPTION</i>                   | <i>QTY.</i> |
|-------------|---------------|-----------------|--------------------------------------|-------------|
|             |               |                 |                                      | <b>35</b>   |
| 1           | ESL14377      | 22-50430-AA     | Muffler Assembly (Vertical)          | 1           |
| 2           | ESL14378      | N-620014-AA     | Nut, Hex (M10)                       | 17          |
| 3           | N-630174-S8   | N-630174-S36    | Washer, Lock (M10)                   | 17          |
| 4           | N-630069-S8   | N-630069-S36    | Washer, Flat (M10)                   | 2           |
| 5           | ESL14379      | 22-50449-AA     | Stud                                 | 2           |
| 6           | ESL14380      | 22-50448-AA     | Gasket Silencer                      | 1           |
| 7           | ESL14381      | T12.90.920.0    | Pipe Assembly Silencer Inlet Flanged | 1           |
| 8           | ESL14382      | 50.10052.0      | Stud                                 | 3           |
| 9           | ESL14383      | T73.24.046.0    | Adaptor for Lifting Hook             | 1           |
| 10          | ESL10245      | D3NN-5C250-BA   | Gasket, Elbow                        | 1           |
| 11          | ESL14384      | T77.29.001.0    | Exhaust Manifold                     | 1           |
| 12          | ESL14385      | 54.21.10.29a    | Stud (M10)                           | 11          |
| -           | ESL14386      | T73.29.005.0    | Stud (M10)                           | 1           |
| 13          | ESL14387      | T77.09.002.0    | Gasket, Exhaust Manifold             | 3           |
| 14          | ESL14554      | T77.08.002.0    | Gasket, Intake Manifold              | 3           |
| 15          | ESL14388      | T77.08.011.0    | Intake Manifold                      | 1           |
| 16          | ESL14389      | 11-60463-AB     | Thermostat Assembly                  | 1           |
| 17          | ESL14390      | T77.30.002.0    | Tube Thermostat                      | 1           |
| 18          | ESL14391      | 11-60462-AA     | Clamp                                | 1           |
| 19          | ESL14392      | 22-60461-AA     | Hose, Fuel Leak Off                  | 1           |

**INTAKE MANIFOLD & EXHAUST SYSTEM**



**INTAKE MANIFOLD & EXHAUST SYSTEM**



| ITEM | LONG #     | VENDOR #      | DESCRIPTION                      | QTY. |    |
|------|------------|---------------|----------------------------------|------|----|
|      |            |               |                                  | 45   | 60 |
| 1    | Ⓢ ESL12029 | 11-68369-AA   | Manifold, Intake                 | 1    | 1  |
| 2    | TX12346    | 11-60463-AB   | Thermostarter Assembly           | 1    | 1  |
| 3    | ESL10286   | 11-60660-AB   | Tube Assembly, Thermostarter     | 1    | 1  |
| 4    | ESL10284   | 11-60462-AA   | Clamp                            | 2    | 2  |
| 5    | ESL10285   | 11-60461-AB   | Nylon Tube Thermostarter         | 1    | 1  |
| 6    | ESL10238   | 11-12109-AA   | Sensor, Water Temperature        | 1    | 1  |
| 7    | Ⓢ ESL12168 | 82835247      | Gasket, Intake Manifold to Block | 1    | 1  |
| 8    | 304722-S8  | 304722-S36    | Bolt, Hex Head (3/8 - 16 x 1.25) | 7    | 7  |
| 9    | 34807-S8   | 34792-S36     | Washer Lock (3/8)                | 7    | 7  |
| 10   | ESL10243   | E8NN-9448-AA  | Gasket, Exhaust Manifold         | 1    | 1  |
| 11   | ESL10241   | D3NN-9430-A   | Manifold, Exhaust                | 1    | 1  |
| 12   | ESL10245   | D3NN-5C250-BA | Gasket, Muffler Inlet Pipe       | 1    | 1  |
| 13   | 378881-S   | 378881-S      | Washer, Lock Tab (3/8)           | 6    | 6  |
| 14   | 304760-S8  | 304760-S36    | Bolt, Hex Head (3/8 - 16 x 1.50) | 6    | 6  |
| 15   | ESL10247   | 82835089      | Muffler Assembly (Vertical)      | -    | 1  |
| -    | ESL10246   | 85NH-5230-AC  | Muffler Assembly (Vertical)      | 1    | -  |
| 16   | ESL10244   | D6NN-5246-N   | Pipe, Muffler Inlet              | 1    | 1  |
| 17   | 46008-S8   | 46008-S36     | Bolt, Hex Head (3/8 - 16 x 1.00) | 3    | 3  |
| 18   | 34807-S8   | 34807-S36     | Washer, Lock (3/8)               | 5    | 5  |
| 19   | 304650-S8  | 304650-S36    | Bolt, Hex Head (3/8 - 16 x 0.75) | 2    | 2  |
| 20   | 44726-S8   | 44726-S36     | Washer, Flat (3/8)               | 2    | 2  |
| 21   | ESL10248   | D6NN-5252-B   | Clamp Assembly                   | 1    | 1  |

**Service Serial Number Breaks:**

|   |          |              |                         |          |   |   |
|---|----------|--------------|-------------------------|----------|---|---|
| 1 | ESL10234 | 84NH-9425-AB | Manifold, Intake        | ↳ 259837 | - | 1 |
| 7 | ESL10240 | D3NN-9439-A  | Gasket, Intake Manifold | ↳ 259837 | - | 1 |

---

Notes

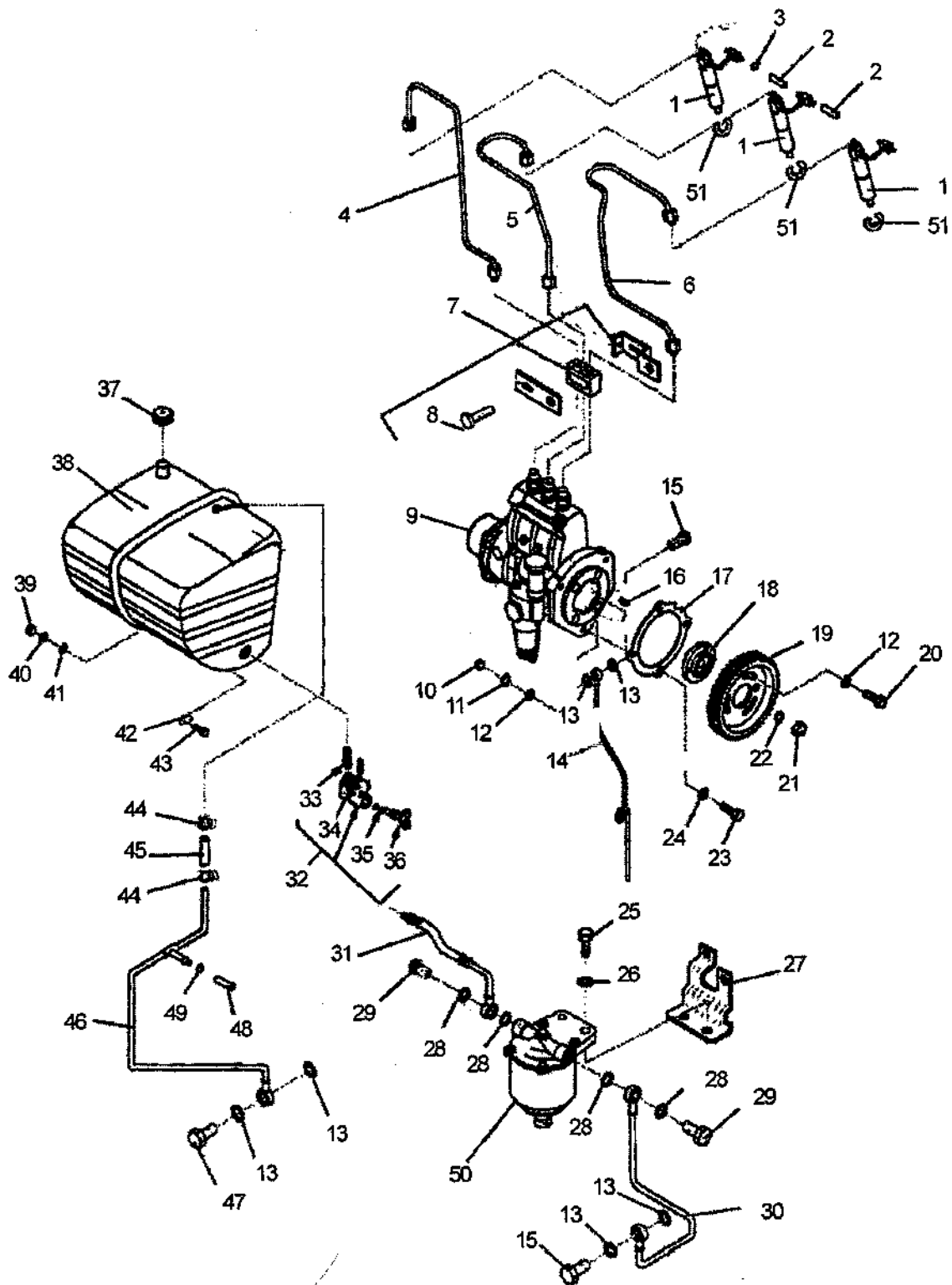
35/45/60

SECTION 3

# *FUEL SYSTEM & THROTTLE LINKAGES*

 **Long Agribusiness**

COMMON SENSE SOLUTIONS



**FUEL SYSTEM**

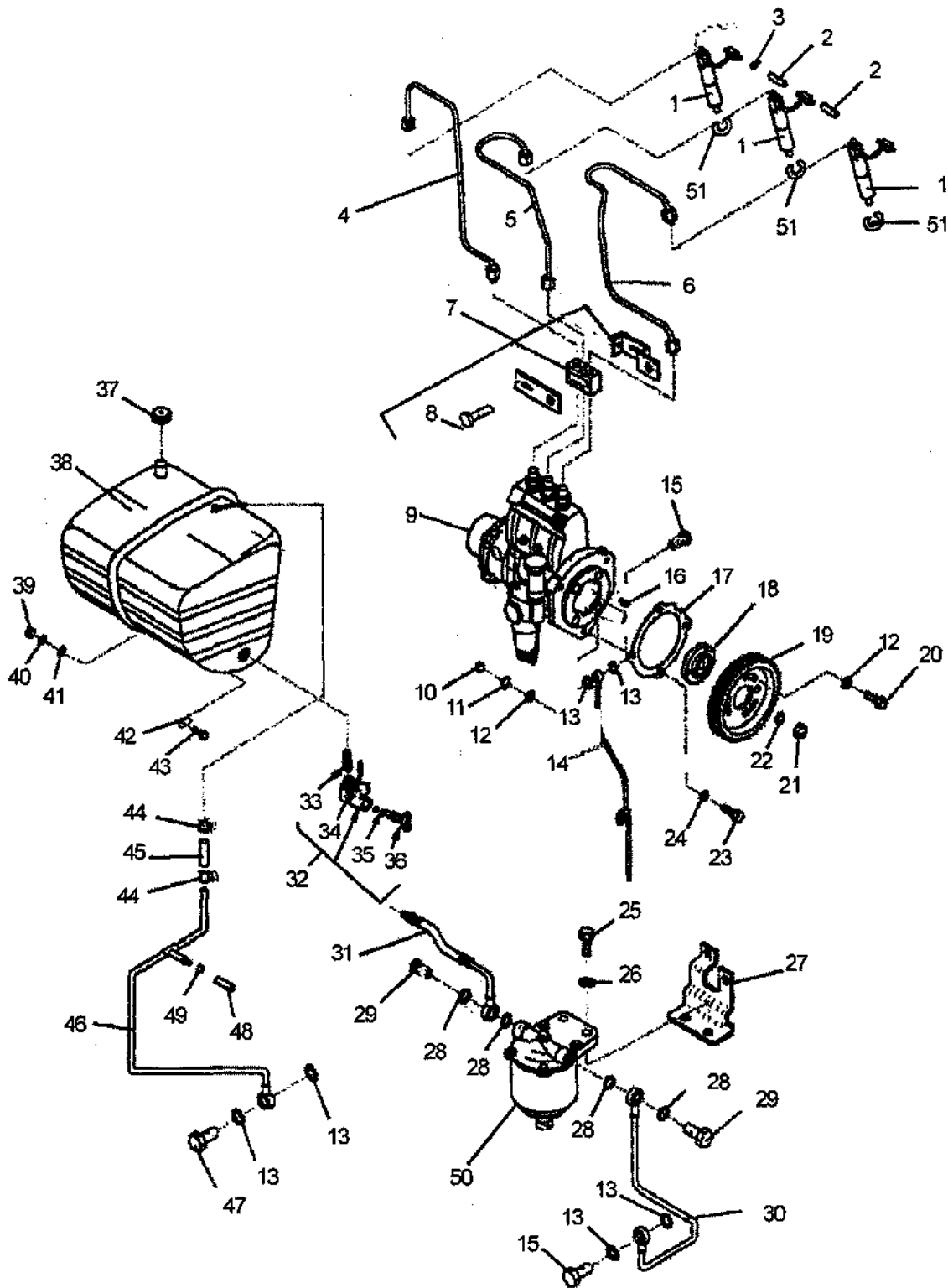
**3A:1**

**Ⓢ** - INDICATES SERVICE SERIAL NUMBER BREAKS,

**Ⓚ** - INDICATES UP TO AND INCLUDING THAT SERIAL NUMBER



| <b>ITEM</b> | <b>LONG #</b> | <b>VENDOR #</b> | <b>DESCRIPTION</b>                       | <b>QTY.</b> |
|-------------|---------------|-----------------|--|-------------|
|             |               |                 |  | <b>35</b>   |
| 1           | ESL14393      | T77.27.811.0    | Injector Assembly                        | 3           |
| 2           | ESL14394      | T77.07.005.0    | Injector Overflow Pipe                   | 2           |
| 3           | ESL14395      | T73.27.018.0    | Clamp, Fuel O/F Pipe                     | 6           |
| 4           | ESL14396      | T77.27.817.0    | High Pressure Pipe Assembly 3rd Cylinder | 1           |
| 5           | ESL14397      | T77.27.816.0    | High Pressure Pipe Assembly 2nd Cylinder | 1           |
| 6           | ESL14398      | T77.27.815.0    | High Pressure Pipe Assembly 1st Cylinder | 1           |
| 7           | ESL14399      | T73.07.804.0a   | Clamp Assembly                           | 1           |
| 8           | ESL14400      | T73.07.012.0    | Hex Head Screw with Slot                 | 1           |
| 9           | ESL14401      | T77.27.810.0    | Fuel Injection Pump                      | 1           |
| 10          | N-620013-S8   | N-620013-S36    | Nut, Hex (M8)                            | 4           |
| 11          | N-630173-S8   | N-630173-S36    | Spring Washer (M8)                       | 4           |
| 12          | ESL14402      | 50.10466.0      | Washer                                   | 7           |
| 13          | ESL14403      | 22-61167-AA     | Washer                                   | 8           |
| 14          | ESL14404      | 8.07.10.0       | Pipe (Pump Leak Off)                     | 1           |
| 15          | ESL14405      | 22-61166-AA     | Banjo Bolt                               | 4           |
| 16          | ESL14555      | 54.26.01.03     | Woodruff Key (16x6.5x3)                  | 1           |
| 17          | ESL14406      | 50.00429.0      | Gasket F.I.P Flange                      | 1           |
| 18          | ESL14407      | T77.07.029.0    | Hub, F.I.P.                              | 1           |
| 19          | ESL14408      | T77.07.030.0    | Gear, Injection Pump (Z-48)              | 1           |
| 20          | ESL14409      | T77.27.006.0    | Bolt F.I.P Locking                       | 3           |
| 21          | N-630016-S8   | N-630016-S36    | Nut, Hex (M14x1.5)                       | 1           |
| 22          | N-630175-S8   | N-630175-S36    | Spring Washer (M12)                      | 1           |
| 23          | N-605534-S8   | N-605534-S36    | Bolt, Hex Head (M8x35)                   | 4           |
| 24          | ESL14410      | 50.00012.0      | Washer                                   | 4           |
| 25          | -             | -               | Bolt                                     | 1           |
| 26          | -             | -               | Washer                                   | 1           |
| 27          | -             | -               | Bracket                                  | 1           |
| 28          | ESL10357      | 82835036        | Washer, Sealing                          | 4           |
| 29          | ESL11778      | 74NH-9N663-A    | Banjo Bolt                               | 2           |
| 30          | ESL14411      | 22-89280-AA     | Fuel Pipe, Water Separator to Feed Pump  | 1           |
| 31          | ESL14412      | 22-89281-AB     | Flexible Hose Fuel Tank to W/S           | 1           |
| 32          | ESL10257      | E2NN-9N024-AA   | Tap & Screen Assembly                    | 1           |
| 33          | ESL10258      | D9NN-9N187-AA   | Filter, Fuel Tap & Priming Pump          | 1           |
| 34          | -             | -               | Spring, Fuel Control Valve Retainer      | 1           |
| 35          | -             | -               | Ring Fuel Control Valve, Retaining       | 1           |
| 36          | -             | -               | Valve & Seal Assembly, Fuel Control Tap  | 1           |
| 37          | ESL12068      | 11-89030-AA     | Cap Assembly Fuel Tank                   | 1           |
| 38          | ESL10250      | 92NH-9002-AA    | Tank Assembly Fuel                       | 1           |
| 39          | 33798-S8      | 33798-S36       | Nut, Hex (5/16-18)                       | 3           |
| 40          | 44722-S8      | 44722-S36       | Washer, Flat (5/16)                      | 3           |

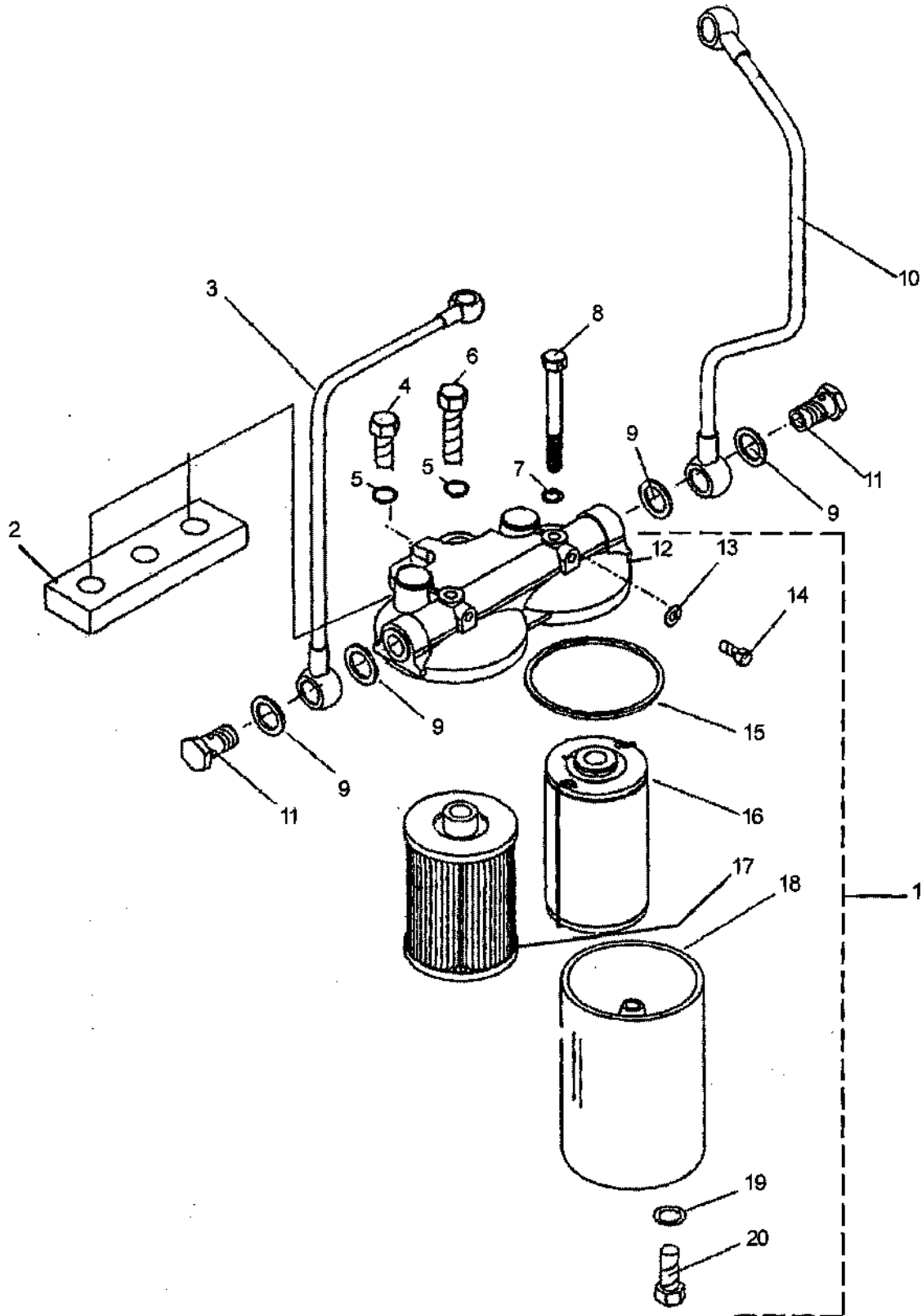


**FUEL SYSTEM**



| <i>ITEM</i> | <i>LONG #</i> | <i>VENDOR #</i> | <i>DESCRIPTION</i>               | <i>QTY.</i> |
|-------------|---------------|-----------------|----------------------------------|-------------|
|             |               |                 |                                  | <b>35</b>   |
| 41          | 34941-S8      | 34941-S36       | Washer, External Tooth (5/16)    | 3           |
| 42          | ESL10256      | C5NN-9N071-A    | Spacer                           | 1           |
| 43          | 304682-S8     | 304682-S36      | Bolt (5/16x18x1.00)              | 3           |
| 44          | ESL10298      | 73NH-9N279-A    | Clamp Assembly, Fuel Tube Return | 2           |
| 45          | ESL10297      | 71NH-9N035-A    | Connector, Fuel Tank Return Tube | 1           |
| 46          | ESL14413      | 22-90337-BA     | Fuel Pipe, Pump to Tank          | 1           |
| 47          | ESL14414      | 1 417 413 012   | Relief Valve                     | 1           |
| 48          | ESL14392      | 22-60461-AA     | Hose Fuel Injection Leak Off     | 1           |
| 49          | ESL10296      | 97325-S35       | Clamp, Spring wire               | 2           |
| 50          | ESL14415      | 22-89290-AA     | Fuel Water Separator             | 1           |
| 51          | ESL14394      | T77.07.005.0    | Copper Washer                    | 3           |

**FUEL SYSTEM**



**FUEL FILTER ASSEMBLY**

**3A:5**

**Ⓢ - INDICATES SERVICE SERIAL NUMBER BREAKS,**

**Ⓟ - INDICATES UP TO AND INCLUDING THAT SERIAL NUMBER**

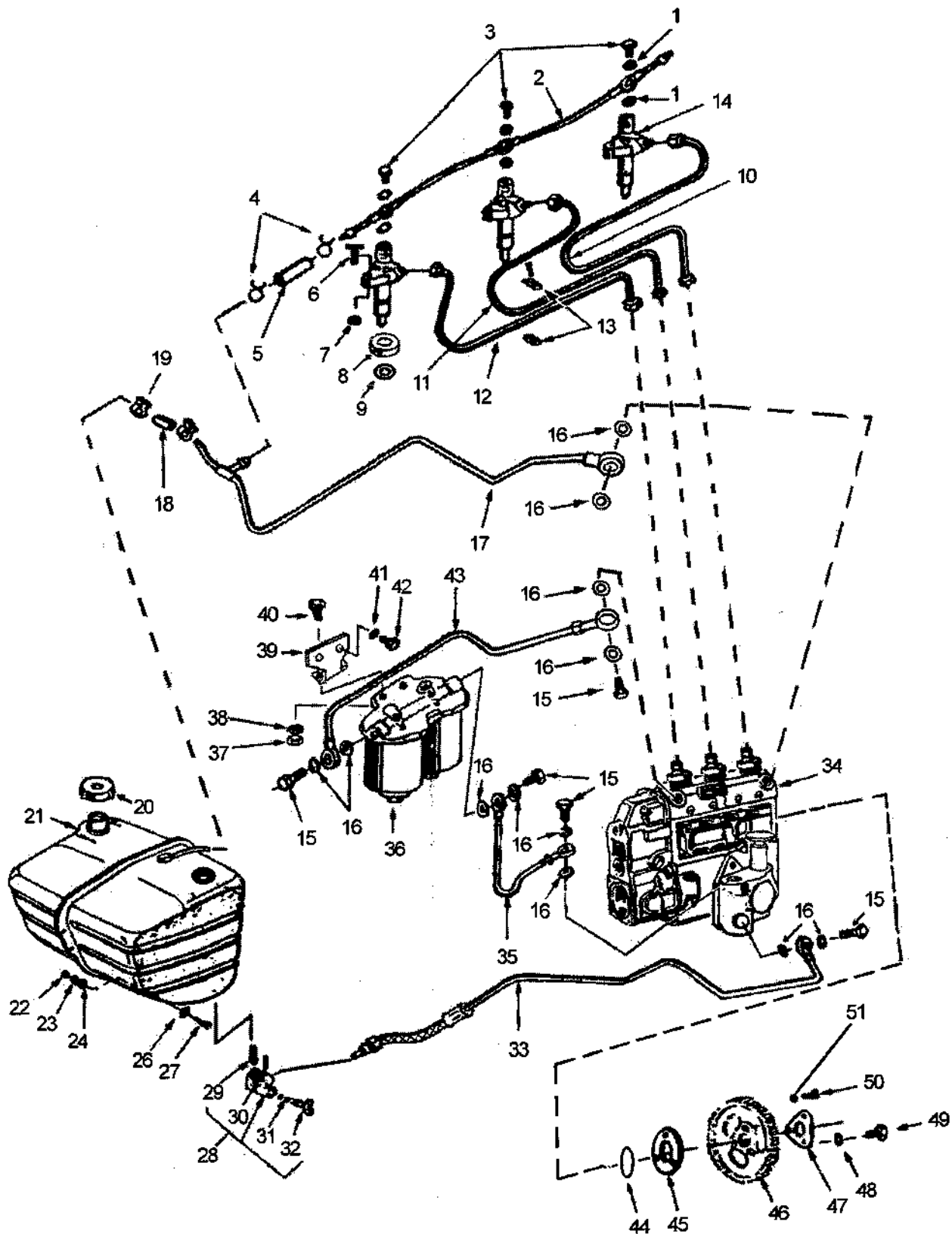




| ITEM | LONG #      | VENDOR #     | DESCRIPTION                                 | QTY.      |
|------|-------------|--------------|---|-----------|
|      |             |              |   | <b>35</b> |
| 1    | ESL14416    | 22-61150-AA  | Fuel Filter Assembly (Includes Item #12-20) | 1         |
| 2    | ESL14417    | 22-61180-AA  | Mounting Bracket, Fuel Filter               | 1         |
| 3    | ESL14418    | 22-61573-AA  | Fuel Pipe, Feed Pump to Filter              | 1         |
| 4    | ESL14419    | 22-61163-AA  | Bolt  | 1         |
| 5    | 34809-S8    | 34809-S36    | Spring Washer                               | 2         |
| 6    | N-601796-S8 | N-601796-S36 | Bolt  | 1         |
| 7    | ESL14420    | 22-61158-AA  | Sealing Washer                              | 2         |
| 8    | ESL14421    | 22-61159-AA  | Bolt  | 2         |
| 9    | ESL14403    | 22-61167-AA  | Sealing Washer                              | 4         |
| 10   | ESL14422    | 22-61270-AA  | Fuel Pipe, Filter to F.I. Pump              | 1         |
| 11   | ESL14405    | 22-61166-AA  | Banjo Bolt                                  | 2         |
| 12   | ESL14423    | 22-61151-AA  | Cover, Filter                               | 1         |
| 13   | ESL14424    | 22-61160-AA  | Washer, Air Vent Screw                      | 2         |
| 14   | ESL14425    | 22-61161-AA  | Air Vent Screw                              | 2         |
| 15   | ESL14426    | 22-61152-AA  | Sealing Ring                                | 2         |
| 16   | ESL14427    | 22-61153-AA  | Filter Element Primary                      | 1         |
| 17   | ESL14428    | 22-61155-AA  | Filter Element Secondary                    | 1         |
| 18   | ESL14429    | 22-61154-AA  | Filter Bowl                                 | 2         |
| 19   | ESL14430    | 22-61156-AA  | Washer                                      | 2         |
| 20   | ESL14431    | 22-61157-AA  | Sludge Screw                                | 2         |

*cash & carry*  
*paper* } 906367

FUEL FILTER ASSEMBLY



FUEL SYSTEM

3B:1

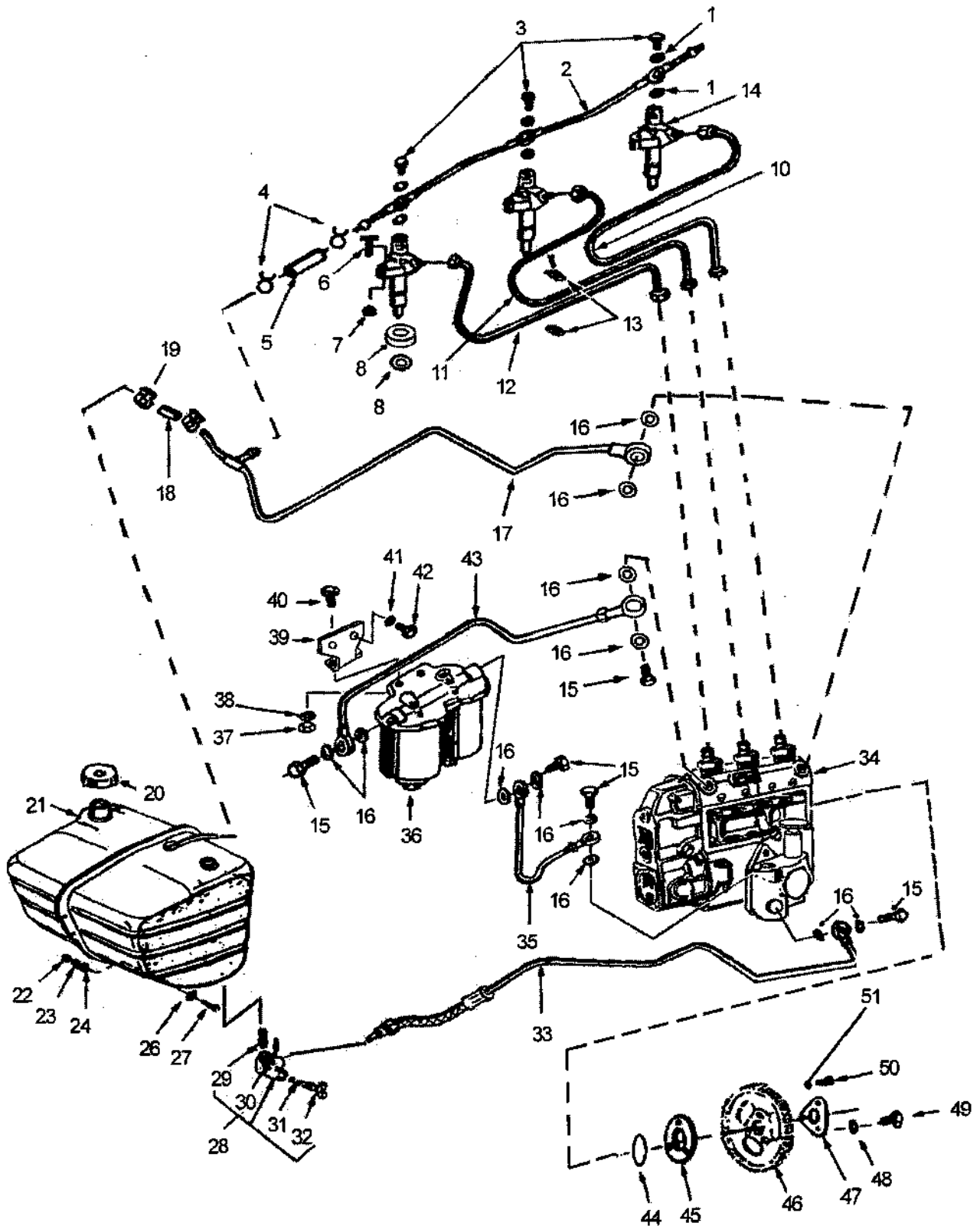
Ⓢ - INDICATES SERVICE SERIAL NUMBER BREAKS,

↙ - INDICATES UP TO AND INCLUDING THAT SERIAL NUMBER



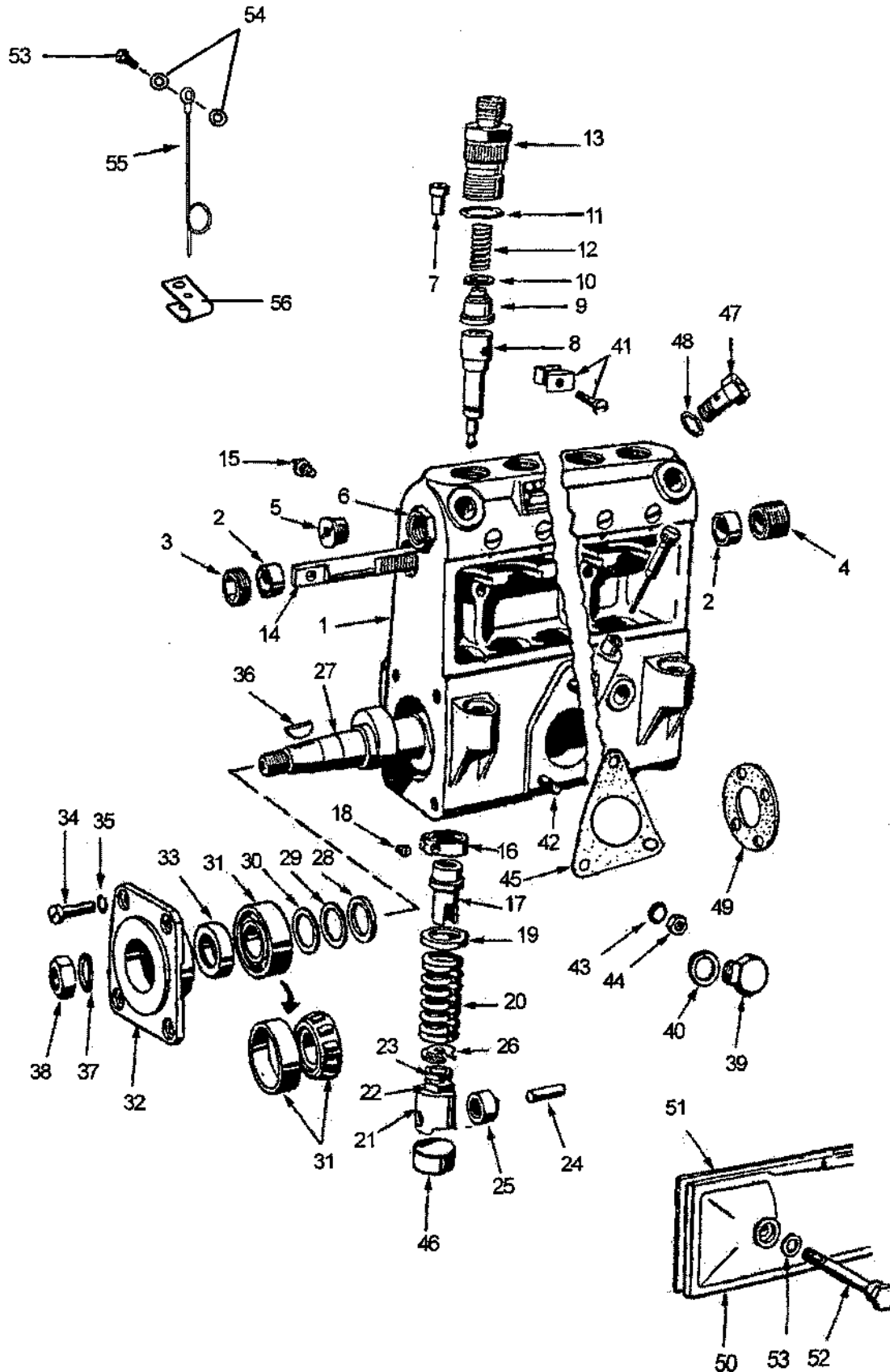
| ITEM | LONG #     | VENDOR #      | DESCRIPTION                                   | Qty. |    |
|------|------------|---------------|---|------|----|
|      |            |               |   | 45   | 60 |
| 1    | Ⓢ ESL14592 | 2916710602    | Washer  | 6    | 6  |
| 2    | Ⓢ ESL12037 | 15-64560-AA   | Tube Assy - Fuel Injector Leak-off            | 1    | 1  |
| 3    | Ⓢ ESL14591 | 9431033422    | Bolt, Banjo                                   | 3    | 3  |
| 4    | ESL10296   | 97325-S35     | Clamp, Spring Wire                            | 2    | 2  |
| 5    | ESL12052   | 11-90563-AA   | Hose, Fuel Injector Leak-off                  | 1    | 1  |
| 6    | 304758-S8  | 304758-S36    | Bolt, Hex Head (5/16-18x1.50)                 | 6    | 6  |
| 7    | 34806-S8   | 34806-S36     | Washer, Lock (5/16)                           | 6    | 6  |
| 8    | ESL10299   | 73NH-9F596-A  | Seal, Fuel Injector                           | 6    | 6  |
| 9    | ESL11652   | 72NH-9E529-A  | Sealing Washer, Nozzle                        | 3    | 3  |
| 10   | Ⓢ ESL12026 | 13-64555-AA   | Tube Assy Fuel Injector - 1st Cylinder        | 1    | 1  |
| 11   | Ⓢ ESL12027 | 13-64556-AA   | Tube Assy Fuel Injector - 2nd Cylinder        | 1    | 1  |
| 12   | Ⓢ ESL12028 | 13-64557-AA   | Tube Assy Fuel Injector - 3rd Cylinder        | 1    | 1  |
| 13   | ESL10293   | 377485-S100   | Clamp Assembly                                | 2    | 2  |
| 14   | Ⓢ ESL12057 | 13-64590-AA   | Injector Assembly - Fuel                      | -    | 3  |
| -    | ESL12024   | 14-64590-AA   | Injector Assembly, Fuel                       | 3    | -  |
| 15   | ESL11778   | 74NH-9N663-A  | Banjo Bolt                                    | 5    | 5  |
| 16   | ESL10357   | 82835036      | Sealing Washer                                | 13   | 13 |
| 17   | ESL10294   | 85NH-9A337-AA | Tube Assembly - Fuel Tank Return              | 1    | 1  |
| 18   | ESL10297   | 71NH-9N035-A  | Connector, Fuel Tank Return Tube              | 1    | 1  |
| 19   | ESL10298   | 73NH-9N279-A  | Clamp Assy, Fuel Tube Return                  | 2    | 2  |
| 20   | ESL12068   | 11-89030-AA   | Cap, Fuel Tank                                | 1    | 1  |
| 21   | ESL10250   | 92NH-9002-AA  | Tank Assembly, Fuel                           | 1    | 1  |
| 22   | 33798-S8   | 33798-S36     | Nut, Hex Head (5/16-24)                       | 3    | 3  |
| 23   | 44722-S8   | 44722-S36     | Washer, Flat (5/16)                           | 3    | 3  |
| 24   | 34941-S8   | 34941-S36     | Washer, External Tooth (5/16)                 | 3    | 3  |
| 25   | ESL12025   | 11-64591-AA   | Mounting Flange, Injector Assembly            | 3    | 3  |
| 26   | ESL10256   | C5NN-9N071-A  | Spacer, Fuel Tank Mounting                    | 1    | 1  |
| 27   | 304682-S8  | 304682-S36    | Bolt, Hex Head (5/16-18x1.00)                 | 3    | 3  |
| 28   | ESL10257   | E2NN-9N024-AA | Tap & Screen Assembly, Fuel                   | 1    | 1  |
| 29   | ESL10258   | D9NN-9N187-AA | Filter, Fuel Tap & Priming Pump               | 1    | 1  |
| 30   | -          | -             | Spring, Fuel Control Valve Retainer (NSS)     | 1    | 1  |
| 31   | -          | -             | Ring, Fuel Control Valve Retaining (NSS)      | 1    | 1  |
| 32   | -          | -             | Valve & Seal Assembly, Fuel Control Tap (NSS) | 1    | 1  |
| 33   | Ⓢ ESL10266 | 12-89280-AA   | Tube Assembly, Tank to Feed Pump              | -    | 1  |
| -    | ESL10264   | 11-89280-AA   | Tube Assembly, Tank to Feed Pump              | 1    | -  |
| 34   | Ⓢ ESL12078 | 15-64540-AA   | Pump Assembly, Fuel Injection                 | -    | 1  |
| -    | ESL12023   | 26-64540-AA   | Pump Assembly, Fuel Injection                 | 1    | -  |
| 35   | Ⓢ ESL10270 | 92NH-9B273-AA | Tube Assembly, Feed Pump to Filter            | -    | 1  |
| -    | ESL10268   | 72NH-9B273-A  | Tube Assembly, Feed Pump To Filter            | 1    | -  |
| 36   | Ⓢ ESL13313 | 13-64150-AA   | Filter Assembly - Fuel                        | 1    | 1  |

**FUEL SYSTEM**



**FUEL SYSTEM**

| ITEM                                 | LONG #    | VENDOR #      | DESCRIPTION                            | QTY.     |     |
|--------------------------------------|-----------|---------------|--|----------|-----|
|                                      |           |               |  | 45       | 60  |
| 37                                   | ESL11782  | 74NH-9N102-A  | Nut                                    | 2        | 2   |
| 38                                   | ESL12018  | 34809-S36     | Washer, Lock (1/2)                     | 2        | 2   |
| 39                                   | ESL10280  | 80NH-9A335-AA | Bracket, Fuel Filter Mounting          | 1        | 1   |
| 40                                   | ESL11743  | 74NH-9N101-A  | Bolt                                   | 2        | 2   |
| 41                                   | 44726-S8  | 44726-S36     | Washer, Flat (3/8)                     | 2        | 2   |
| 42                                   | 304666-S8 | 304666-S36    | Bolt, Hex Head (3/8-16x0.875)          | 2        | 2   |
| 43 (S)                               | ESL10273  | 92NH-9N575-AA | Tube Assembly, Filter to Pump          | 1        | 1   |
| 44 (S)                               | ESL13682  | 12-61035-AA   | O-Ring, Fuel Injection Pump            | 1        | 1   |
| 45                                   | ESL10030  | 91NH-9M525-AA | Coupling Half - FIP Driving            | 1        | 1   |
| 46                                   | ESL10276  | C5NE-9F589-D  | Gear, Fuel Injection Pump              | 1        | 1   |
| 47                                   | ESL10275  | C5NE-9F586-A  | Plate, Fuel Injection Pump             | 1        | 1   |
| 48                                   | ESL11649  | 380201-S36    | Washer, Flat - (5/16x0.63x0.06)        | 3        | 3   |
| 49                                   | 42974-S8  | 42974-S36     | Bolt, Hex Head (5/16-24x0.625)         | 3        | 3   |
| 50                                   | ESL11742  | 73NH-9N646-A  | Bolt, Fuel Injection Pump              | 3        | 3   |
| 51                                   | ESL11648  | 73NH-9N647-A  | Washer                                 | 3        | 3   |
| <b>Service Serial Number Breaks:</b> |           |               |  |          |     |
| 1                                    | ESL11650  | 73NH-9N661-A  | Washer                                 | ↳ 259837 | - 6 |
| 2                                    | ESL10283  | 11-60560-AA   | Tube Assembly, Fuel Injector Leak Off  | ↳ 259837 | - 1 |
| 3                                    | ESL11744  | 73NH-9N662-A  | Bolt, Banjo                            | ↳ 259837 | - 3 |
| 10                                   | ESL10288  | 85NH-9A555-BA | Tube Assembly, Fuel Injector, 1st Cyl. | ↳ 259837 | - 1 |
| 11                                   | ESL10290  | 85NH-9A556-BA | Tube Assembly, Fuel Injector, 2nd Cyl. | ↳ 259837 | - 1 |
| 12                                   | ESL10292  | 85NH-9A557-BA | Tube Assembly, Fuel Injector, 3rd Cyl. | ↳ 259837 | - 1 |
| 14                                   | ESL10422  | 86NH-9F593-AA | injector Assembly, Fuel                | ↳ 259837 | - 3 |
| 33                                   | ESL10265  | 84NH-9282-AA  | Tube Assembly, Tank to Feed Pump       | ↳ 221972 | - 1 |
| 34                                   | ESL10364  | 82835136      | Pump Assembly, Fuel Injection          | ↳ 259837 | - 1 |
| 35                                   | ESL10269  | 86NH-9B273-AA | Tube Assembly, Feed Pump to Filter     | ↳ 259837 | - 1 |
| 36                                   | ESL10448  | 73NH-9155-A   | Filter Assembly, Fuel                  | ↳ 259837 | - 1 |
| 43                                   | ESL10272  | 86NH-9N575-AA | Tube Assembly, Filter to Pump          | ↳ 210666 | - 1 |
| 44                                   | ESL10901  | 87035-S94     | O'Ring, Fuel Injection Pump            | ↳ 237044 | - 1 |
| -                                    | ESL10300  | 11-61035-AA   | O'Ring, Fuel Injection Pump            | ↳ 272878 | - 1 |



**FUEL INJECTION PUMP**

**3B:5**

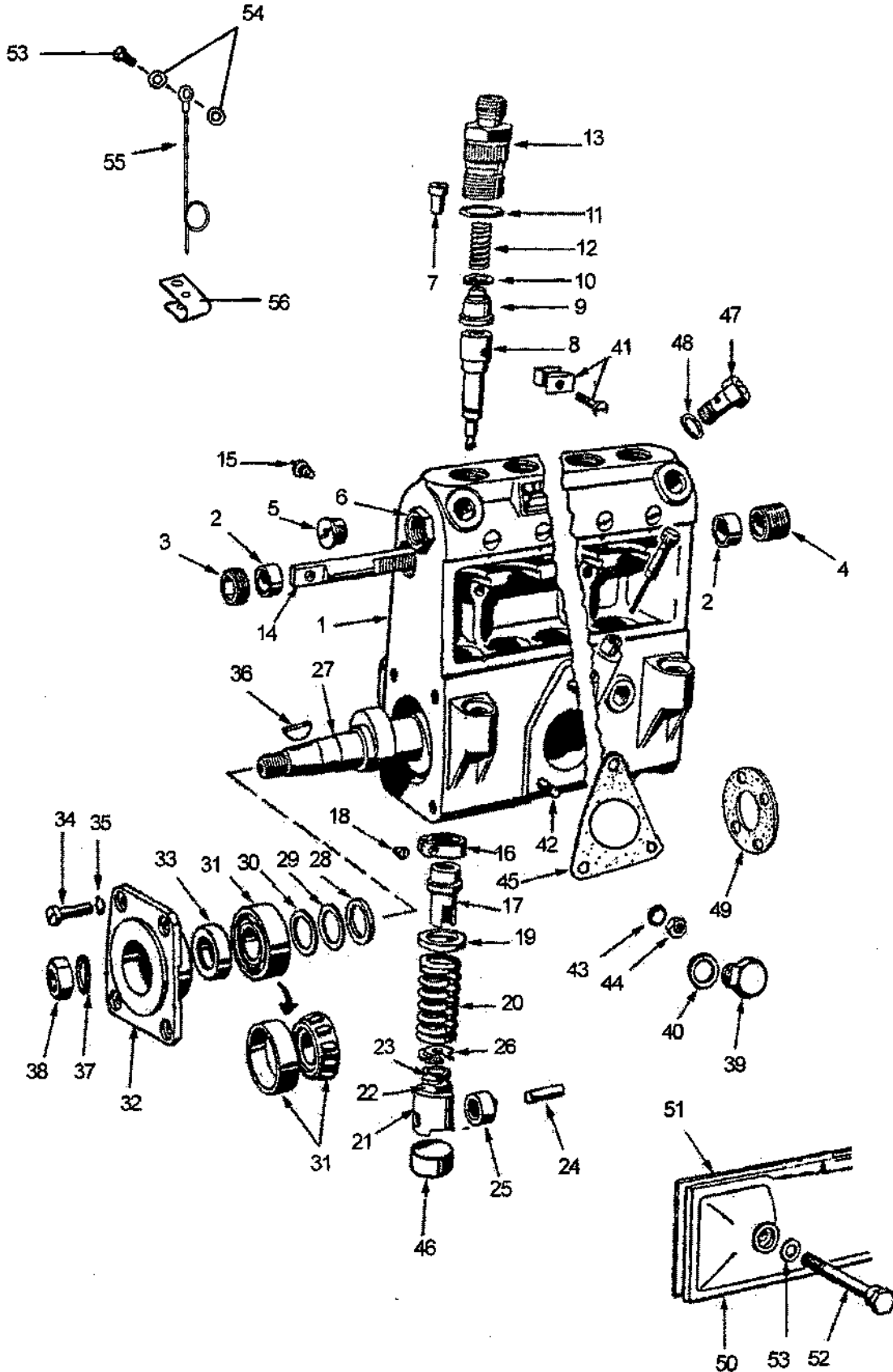
Ⓢ - INDICATES SERVICE SERIAL NUMBER BREAKS,

⚡ - INDICATES UP TO AND INCLUDING THAT SERIAL NUMBER



| ITEM   | LONG #   | VENDOR #     | DESCRIPTION                                 | QTY. |    |
|--------|----------|--------------|---|------|----|
|        |          |              |   | 45   | 60 |
| 1      | -        | -            | Housing, Fuel Injection Pump (NSS)          | 1    | 1  |
| 2      | -        | -            | Guide Bush (NSS)                            | 2    | 2  |
| 3      | -        | -            | Threaded Ring (NSS)                         | 1    | 1  |
| 4      | -        | -            | Threaded Bush (NSS)                         | 1    | 1  |
| 5      | -        | -            | Closing Plug (NSS)                          | 1    | 1  |
| 6      | ESL10308 | EXP-13410-AA | Reducing Nipple                             | 1    | 1  |
| 7      | ESL10362 | EXP-13462-AA | Peg for Delivery Valve Holder               | 3    | 3  |
| 8 (S)  | ESL12210 | EXP-14099-CA | Element (LH Helix: 15mm Pitch)              | 3    | 3  |
| 9 (S)  | ESL12211 | EXP-14100-BA | Delivery Valve                              | 3    | 3  |
| 10     | ESL10393 | EXP-14115-AA | Washer, Delivery Valve                      | 3    | 3  |
| 11     | ESL10312 | EXP-13416-AA | Sealing Ring (Holder Delivery Valve)        | 3    | 3  |
| 12     | ESL10313 | EXP-13417-AA | Spring, Delivery Valve                      | 3    | 3  |
| 13 (S) | ESL12212 | EXP-13418-BA | Holder, Delivery Valve                      | 3    | 3  |
| 14     | -        | -            | Control Rack (NSS)                          | 1    | 1  |
| 15     | -        | -            | Screw, Control Rack Locating (NSS)          | 1    | 1  |
| 16     | -        | -            | Toothed Quadrant, Normal Size (NSS)         | 3    | 3  |
| 17     | -        | -            | Regulating Sleeve (Includes Item #18) (NSS) | 3    | 3  |
| 18     | -        | -            | Clamping Screw (NSS)                        | 3    | 3  |
| 19     | -        | -            | Spring Plate, Upper (NSS)                   | 3    | 3  |
| 20     | -        | -            | Plunger Spring (NSS)                        | 3    | 3  |
| 21     | -        | -            | Tappet, Roller (NSS)                        | 3    | 3  |
| 22     | -        | -            | Nut, Lock (NSS)                             | 3    | 3  |
| 23     | -        | -            | Screw, Adjusting (NSS)                      | 3    | 3  |
| 24     | -        | -            | Pin, Roller (NSS)                           | 3    | 3  |
| 25     | -        | -            | Roller (NSS)                                | 3    | 3  |
| 26     | -        | -            | Spring Plate, Lower (NSS)                   | 3    | 3  |
| 27     | -        | -            | Camshaft, Fuel Injection Pump (NSS)         | 1    | 1  |
| 28     | -        | -            | Spacer for Camshaft, Pump End 1 (NSS)       | 1    | 1  |
| -      | -        | -            | Spacer for camshaft, Pump End 2 (NSS)       | 1    | 1  |
| 29     | ESL10328 | EXP-13436-AA | Shim, Pump End 1 ( 0.10mm)                  | AR   | AR |
| -      | ESL10329 | EXP-13436-AB | Shim, Pump End 1 ( 0.12mm)                  | AR   | AR |
| -      | ESL10330 | EXP-13436-AC | Shim, Pump End 1 ( 0.14mm)                  | AR   | AR |
| -      | ESL10331 | EXP-13436-AD | Shim, Pump End 1 ( 0.16mm)                  | AR   | AR |
| -      | ESL10332 | EXP-13436-AE | Shim, Pump End 1 ( 0.18mm)                  | AR   | AR |
| -      | ESL10333 | EXP-13436-AF | Shim, Pump End 1 ( 0.30mm)                  | AR   | AR |
| -      | ESL10334 | EXP-13436-AG | Shim, Pump End 1 ( 0.50mm)                  | AR   | AR |
| -      | ESL10335 | EXP-13436-AH | Shim, Pump End 1 (1.00mm)                   | AR   | AR |
| 30     | ESL10336 | EXP-13437-AA | Shim, Pump End 2 ( 0.10mm)                  | AR   | AR |
| -      | ESL10337 | EXP-13437-AB | Shim, Pump End 2 ( 0.12mm)                  | AR   | AR |
| -      | ESL10338 | EXP-13437-AC | Shim, Pump End 2 ( 0.14mm)                  | AR   | AR |
| -      | ESL10339 | EXP-13437-AD | Shim, Pump End 2 ( 0.16mm)                  | AR   | AR |

FUEL INJECTION PUMP



**FUEL INJECTION PUMP**

**3B:7**

Ⓢ - INDICATES SERVICE SERIAL NUMBER BREAKS,

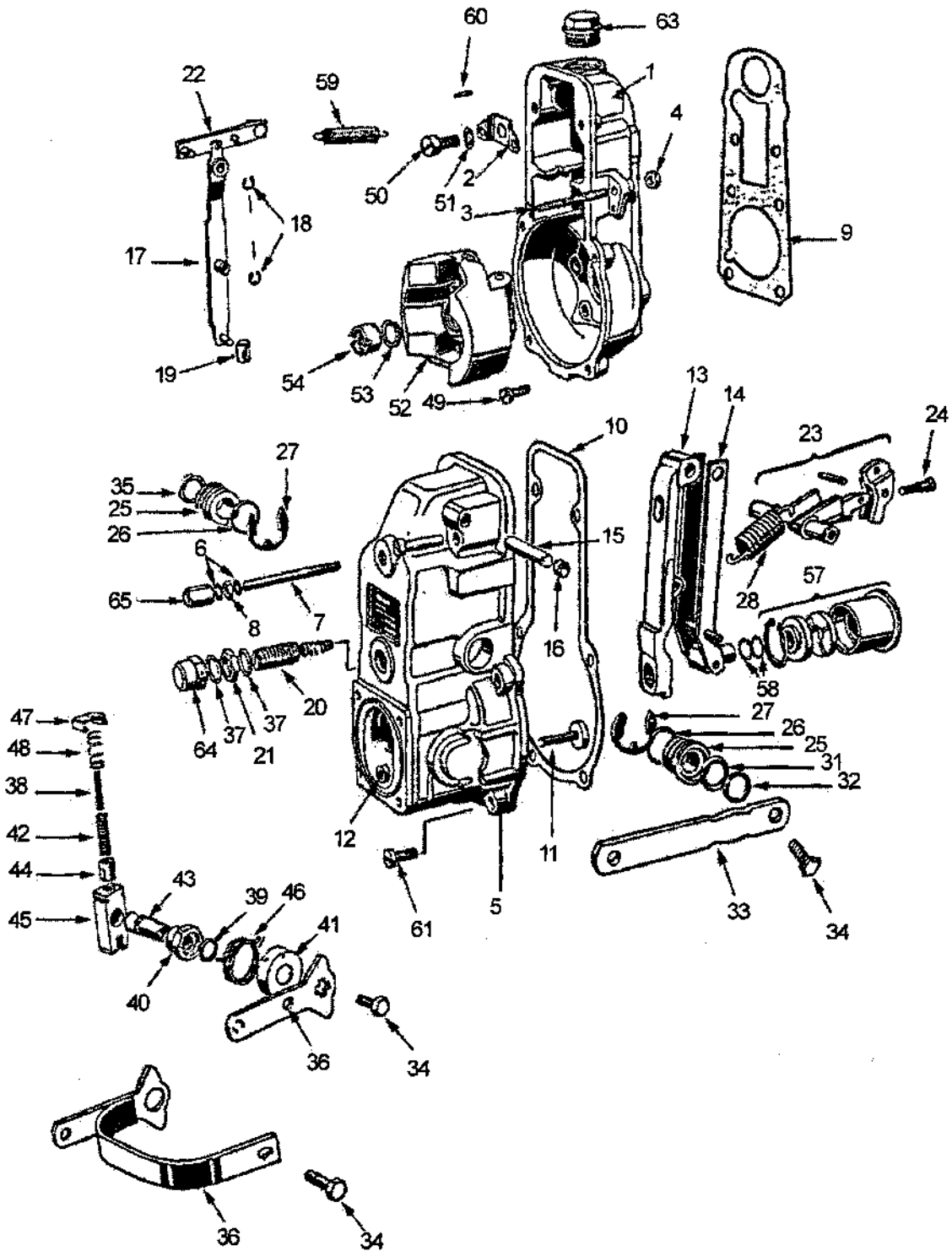
Ⓛ - INDICATES UP TO AND INCLUDING THAT SERIAL NUMBER



| ITEM | LONG #   | VENDOR #      | DESCRIPTION                              | QTY.      |           |
|------|----------|---------------|--|-----------|-----------|
|      |          |               |  | <b>45</b> | <b>60</b> |
| -    | ESL10340 | EXP-13437-AE  | Shim, Pump End 2 (0.18mm)                | AR        | AR        |
| -    | ESL10341 | EXP-13437-AF  | Shim, Pump End 2 (0.30mm)                | AR        | AR        |
| -    | ESL10342 | EXP-13437-AG  | Shim, Pump End 2 (0.50mm)                | AR        | AR        |
| -    | ESL10343 | EXP-13437-AH  | Shim, Pump End 2 (1.00mm)                | AR        | AR        |
| 31   | -        | -             | Bearing, Tapper Roller, Pump End 1 (NSS) | 1         | 1         |
| -    | -        | -             | Bearing, Tapper Roller, Pump End 2 (NSS) | 1         | 1         |
| 32   | -        | -             | Flange, Bearing (NSS)                    | 1         | 1         |
| 33   | -        | -             | Oil Seal (NSS)                           | 1         | 1         |
| 34   | -        | -             | Screw, Bearing Flange (NSS)              | 4         | 4         |
| 35   | -        | -             | Spring Washer (NSS)                      | 4         | 4         |
| 36   | -        | -             | Key, Woodruff (NSS)                      | 1         | 1         |
| 37   | -        | -             | Spring Washer (NSS)                      | 1         | 1         |
| 38   | -        | -             | Nut, Round (NSS)                         | 1         | 1         |
| 39   | ESL10309 | EXP-13411-AA  | Inspection Plug                          | 1         | 1         |
| 40   | ESL10358 | EXP-13412-AA  | Sealing Washer                           | 1         | 1         |
| 41   | ESL12205 | 72NH-9D510-A  | Clamping Jaw Set                         | 2         | 2         |
| 42   | -        | -             | Stud (NSS)                               | 3         | 3         |
| 43   | -        | -             | Spring Washer (NSS)                      | 3         | 3         |
| 44   | -        | -             | Nut, Hex (NSS)                           | 3         | 3         |
| 45   | ESL10351 | EXP-13453-AA  | Gasket, Feed Pump                        | 1         | 1         |
| 46   | -        | -             | Base, Closing Plug (NSS)                 | 3         | 3         |
| 47   | ESL10361 | EXP-13468-AA  | Overflow Valve                           | 1         | 1         |
| 48   | ESL13405 | EXP-13466-AA  | Sealing Washer                           | 2         | 2         |
| 49   | ESL10353 | EXP-13455-AA  | Gasket                                   | 1         | 1         |
| 50   | ESL10354 | EXP-13456-AA  | Inspection Cover                         | 1         | 1         |
| 51   | ESL10355 | EXP-13458-AA  | Gasket                                   | 1         | 1         |
| 52   | ESL11842 | EXP-13459-AA  | Screw                                    | 2         | 2         |
| 53   | ESL11745 | EXP-13447-AA  | Banjo Bolt                               | 1         | 1         |
| 54   | ESL10359 | EXP-13448-AA  | Sealing Washer                           | 2         | 2         |
| 55   | ESL10302 | 91NH-9D546-BA | Tube Assembly, FIP Outlet                | 1         | 1         |
| 56   | ESL10303 | C5NE-9E526-B  | Clip, Tube FIP Outlet                    | 1         | 1         |
| 57   | -        | -             | Screw, Tamper Proof (NI)                 | 1         | 1         |

**Service Serial Number Breaks:**

|    |          |              |                       |          |   |   |
|----|----------|--------------|-----------------------|----------|---|---|
| 8  | ESL10310 | EXP-14099-AA | Element               | ✓ 259837 | - | 1 |
| 9  | ESL10311 | EXP-14100-AA | Delivery Valve        | ✓ 259837 | - | 1 |
| 13 | ESL10314 | EXP-13418-AA | Holder Delivery Valve | ✓ 259837 | - | 1 |

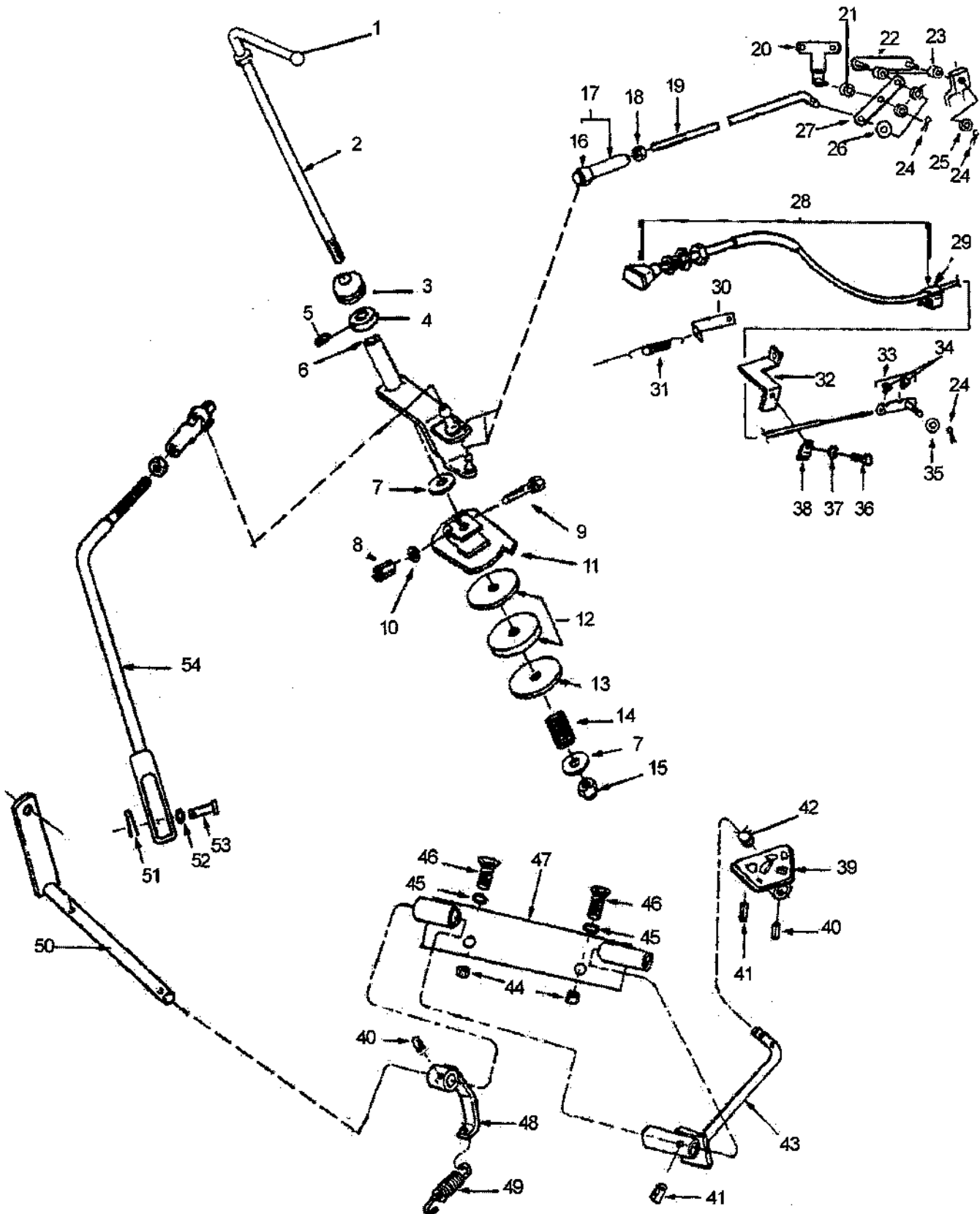


**FIP GOVERNOR - MECHANICAL**

| ITEM | LONG #      | VENDOR #      | DESCRIPTION   | QTY. |    |    |
|------|-------------|---------------|---|------|----|----|
|      |             |               |   | 35   | 45 | 60 |
| 1    | ESL14432    | 73NH-9N723-A  | Knob, Hand Throttle                                   | 1    | 1  | 1  |
| 2    | ESL10450    | 92NH-9805-AA  | Lever Assembly, Hand Throttle (Includes Item #1)      | 1    | 1  | 1  |
| 3    | ESL12636    | 82835409      | Grommet   | 1    | 1  | 1  |
| 4    | ESL10490    | 92NH-9B829-AA | Stop, Throttle Control Lever                          | 1    | 1  | 1  |
| 5    | N-605500-S8 | N-605500-S36  | Bolt, Hex Head (M5x0.8-8)                             | 1    | 1  | 1  |
| 6    | Ⓢ ESL10455  | 82835105      | Arm Assembly, Throttle Control                        | 1    | 1  | 1  |
| 7    | 44728-S8    | 44728-S36     | Washer, Flat (3/8)                                    | 2    | 2  | 2  |
| 8    | Ⓢ ESL10455  | 82835179      | Nut, Hex (5/16-24)                                    | 1    | 1  | 1  |
| 9    | 379586-S8   | 379586-S36    | Bolt (5/16-24*1.25)                                   | 1    | 1  | 1  |
| 10   | 352321-S8   | 352321-S36    | Washer, Flat (5/16)                                   | 1    | 1  | 1  |
| 11   | ESL10461    | 92NH-9N720-AA | Plate Assembly, Throttle Control                      | 1    | 1  | 1  |
| 12   | Ⓢ ESL10457  | 93NH-9B746-AA | Disc, Throttle Control Friction                       | 2    | 2  | 2  |
| 13   | ESL10460    | 11-91720-AA   | Plate, Throttle Lever Friction                        | 1    | 1  | 1  |
| 14   | ESL10452    | E1ADKN-19243  | Spring, Main Control Lever                            | 1    | 1  | 1  |
| 15   | 377360-S8   | 377360-S36    | Nut, Thick Lock (3/8-24)                              | 1    | 1  | 1  |
| 16   | ESL10463    | 85NH-9A791-AA | Clip, Throttle Control                                | 1    | 1  | 1  |
| 17   | ESL10462    | 85NH-9740-AA  | Connector, Throttle Control Rod                       | 1    | 1  | 1  |
| 18   | 33796-S8    | 33796-S36     | Nut, Hex (1/4-28)                                     | 1    | 1  | 1  |
| 19   | ESL10491    | 85NH-9779-AA  | Rod Assembly, Throttle Control (Includes Items 16-18) | -    | 1  | 1  |
| -    | ESL14433    | 22-91779-AA   | Rod Assembly, Throttle Control (Includes Items 16-18) | 1    | -  | -  |
| 20   | ESL10472    | 85NH-9N656-BA | Bracket Assembly Fuel Shut Off                        | -    | 1  | 1  |
| -    | ESL14434    | 22-91760-AA   | Bracket Assembly, Fuel Shut Off                       | 1    | -  | -  |
| 21   | ESL10476    | 87NH-3N948-AA | Spacer  | 1    | 1  | 1  |
| 22   | ESL10473    | 85NH-9N656-CA | Plate Assembly, Throttle Control                      | 1    | 1  | 1  |
| 23   | ESL10474    | 87NH-3N948-BA | Spacer  | 2    | 2  | 2  |
| 24   | ESL12688    | NH-72003-S8   | Pin, Cotter (1/16x0.50)                               | 5    | 5  | 5  |
| 25   | ESL10475    | 87NH-3N948-CA | Spacer  | 3    | 3  | 3  |
| 26   | 44719-S8    | 44719-S36     | Washer, Flat (1/4)                                    | 1    | 1  | 1  |
| 27   | ESL10477    | 85NH-9A760-DA | Plate   | 1    | 1  | 1  |
| 28   | ESL10468    | 84NH-9C331-AA | Control Assembly, Fuel Shut Off                       | 1    | 1  | 1  |
| 29   | ESL10469    | 78NH-9D270-AA | Clamp, Fuel Shut Off Cable                            | 1    | 1  | 1  |
| 30   | ESL12361    | 82835133      | Bracket Acceleration Return Spring                    | 1    | 1  | 1  |
| 31   | ESL10480    | 93NH-2472-AA  | Spring  | 1    | 1  | 1  |
| 32   | ESL10472    | 85NH-9N656-AA | Bracket Assembly, Shut Off Cable                      | 1    | 1  | 1  |
| 33   | ESL10471    | 85NH-9N657-AA | End, Fuel Shut Off Cable (Includes Item #23)          | 1    | 1  | 1  |
| 34   | 31037-S8    | 31037-S36     | Screw   | 2    | 2  | 2  |
| 35   | ESL11676    | 73NH-9N658-A  | Washer, Fuel Shut Off                                 | 1    | 1  | 1  |
| 36   | 54042-S8    | 54042-S36     | Screw (10-24)   | 1    | 1  | 1  |
| 37   | 34803-S8    | 34803-S36     | Washer, Lock (10)                                     | 1    | 1  | 1  |
| 38   | ESL10478    | 71NH-9792-A   | Clamp, Fuel Shut Off Cable                            | 1    | 1  | 1  |

**THROTTLE & ACCELERATION CONTROLS**

35/45/60



**THROTTLE & ACCELERATION CONTROLS**

3B:21

Ⓢ - INDICATES SERVICE SERIAL NUMBER BREAKS,  $\nabla$  - INDICATES UP TO AND INCLUDING THAT SERIAL NUMBER

| ITEM | LONG #     | VENDOR #      | DESCRIPTION                       | QTY. |    |    |
|------|------------|---------------|-----------------------------------|------|----|----|
|      |            |               |                                   | 35   | 45 | 60 |
| 39   | Ⓢ ESL10482 | 82835080      | Pad & Hub Assembly                | 1    | 1  | 1  |
| 40   | 305084-S2  | 305086-S2     | Pin, Spring (3/16x1.25)           | 2    | 2  | 2  |
| 41   | 305061-S2  | 305061-S2     | Pin, Spring (3/16x0.8125)         | 2    | 2  | 2  |
| 42   | ESL10483   | 92NH-2472-BA  | Spring, Pad Return                | 1    | 1  | 1  |
| 43   | Ⓢ ESL12079 | 82835077      | Pedal Assembly Foot Accelerator   | 1    | 1  | 1  |
| 44   | 33796-S8   | 33796-S36     | Nut, Hex (1/4-28)                 | 2    | 2  | 2  |
| 45   | 44719-S8   | 44719-S36     | Washer, Flat (1/4)                | 2    | 2  | 2  |
| 46   | 304633-S8  | 304633-S36    | Bolt, Hex Head (1/4-28x0.62)      | 2    | 2  | 2  |
| 47   | ESL10485   | 92NH-9D823-AB | Bracket Acc. Pedal                | 1    | 1  | 1  |
| 48   | ESL10479   | 92NH-9N735-AA | Bracket & Hub Assembly            | 1    | 1  | 1  |
| 49   | ESL10480   | 93NH-2472-AA  | Spring, Pedal Foot Accelerator    | 1    | 1  | 1  |
| 50   | Ⓢ ESL10487 | 82835083      | Arm Assembly Acceleration Control | 1    | 1  | 1  |
| 51   | ESL12679   | NH-72016-S8   | Pin Cotter (3/32x0.75)            | 1    | 1  | 1  |
| 52   | 44726-S8   | 44726-S36     | Washer, Flat (3/8)                | 1    | 1  | 1  |
| 53   | 76023-S8   | 76023-S36     | Pin, Clevis (3/8x13/16)           | 1    | 1  | 1  |
| 54   | Ⓢ ESL10489 | 82835180      | Rod Assembly Acceleration Control | 1    | 1  | 1  |

#### Service Serial Number Breaks:

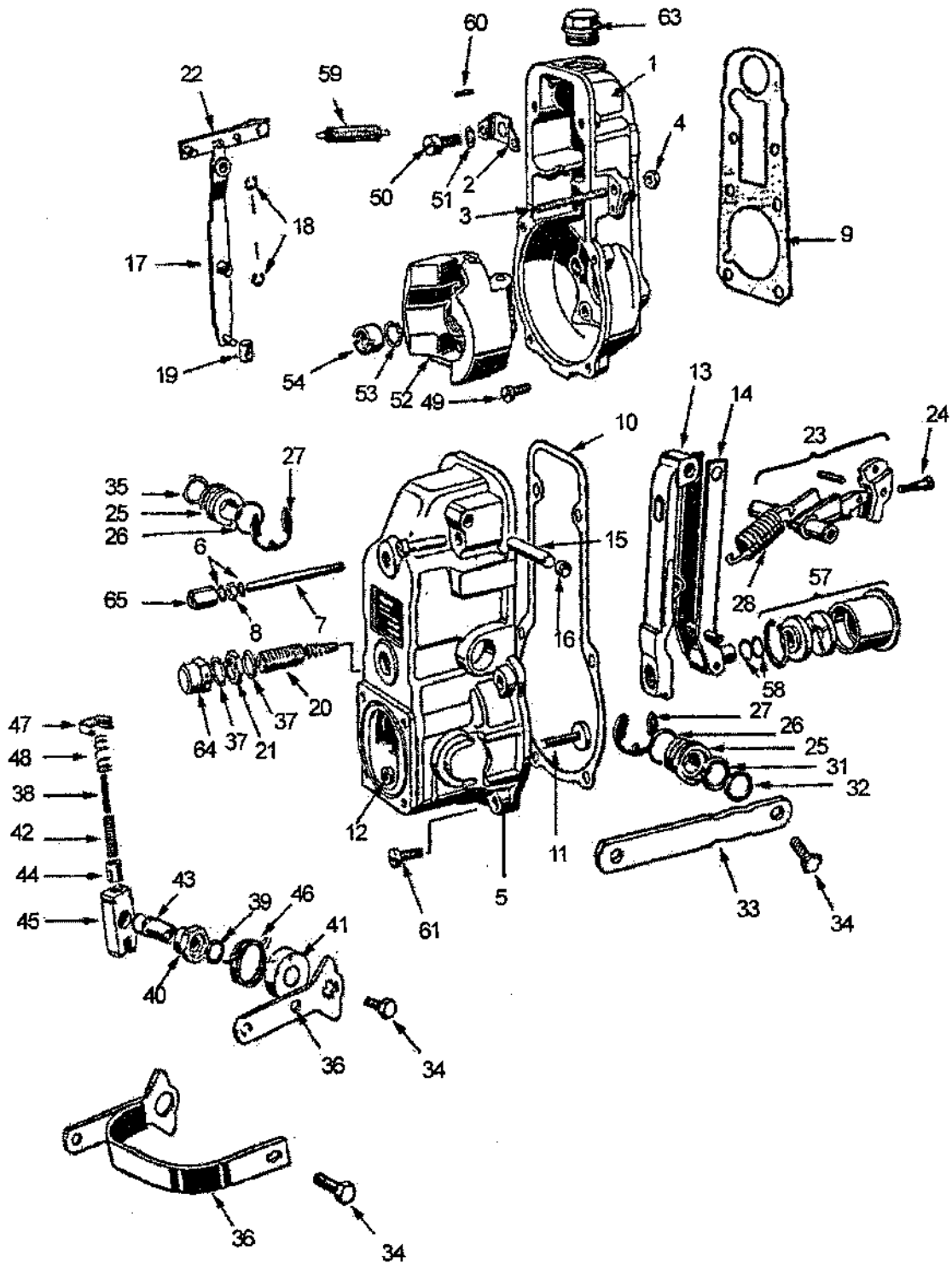
|    |          |               |                                    |          |   |   |   |
|----|----------|---------------|------------------------------------|----------|---|---|---|
| 6  | ESL10454 | 92NH-9807-A   | Arm Assembly, Throttle Control     | ↳ 220218 | - | - | 1 |
| 8  | 33798-S8 | 33798-S36     | Nut, Hex (5/16)                    | ↳ 252535 | - | - | 1 |
| 12 | ESL10456 | C5NN-9B746-A  | Disc, Throttle Control Friction    | ↳ 165461 | - | - | 2 |
| 39 | ESL10481 | 92NH-9N859-AB | Pad & Hub Assembly                 | ↳ 225471 | - | - | 1 |
| 43 | ESL10484 | 92NH-9735-AB  | Pedal Assembly, Foot Acceleration  | ↳ 225471 | - | - | 1 |
| 50 | ESL10486 | 92NH-9N719-AB | Rod Assembly, Acceleration Control | ↳ 225471 | - | - | 1 |
| 54 | ESL10488 | 92NH-9B811-AC | Rod Assembly, Acceleration Control | ↳ 225471 | - | - | 1 |

#### THROTTLE & ACCELERATION CONTROLS

---

# Notes

| ITEM | LONG #   | VENDOR #     | DESCRIPTION                                | QTY. |    |
|------|----------|--------------|--|------|----|
|      |          |              |  | 45   | 60 |
| 1    | -        | -            | Housing, Governor (Mechanical) (NSS)       | 1    | 1  |
| 2    | -        | -            | Shackle (NSS)                              | 1    | 1  |
| 3    | -        | -            | Screw, Maximum Speed Stop (NSS)            | 1    | 1  |
| 4    | -        | -            | Nut, Maximum Speed Stop Screw (NSS)        | 1    | 1  |
| 5    | -        | -            | Cover (NSS)                                | 1    | 1  |
| 6    | ESL10368 | EXP-13478-AA | Sealing Washer                             | 2    | 2  |
| 7    | ESL11845 | EXP-13479-AA | Screw, Idling Adjusting                    | 1    | 1  |
| 8    | ESL11787 | EXP-13480-AA | Nut  | 1    | 1  |
| 9    | ESL10404 | EXP-13527-AA | Gasket                                     | 1    | 1  |
| 10   | ESL10405 | EXP-13528-AA | Gasket                                     | 1    | 1  |
| 11   | ESL11846 | EXP-13481-AA | Screw, Full Load Stop                      | 1    | 1  |
| 12   | ESL11788 | EXP-13482-AA | Nut, Full Load Stop Screw                  | 1    | 1  |
| 13   | -        | -            | Tension Lever (NSS)                        | 1    | 1  |
| 14   | -        | -            | Guide Lever (NSS)                          | 1    | 1  |
| 15   | -        | -            | Lever Shaft (NSS)                          | 1    | 1  |
| 16   | -        | -            | Sealing Plug (NSS)                         | 2    | 2  |
| 17   | -        | -            | Floating Lever (NSS)                       | 1    | 1  |
| 18   | -        | -            | Circlip, Shackle & Floating Lever (NSS)    | 2    | 2  |
| 19   | -        | -            | Slider (NSS)                               | 1    | 1  |
| 20   | -        | -            | Screw Assembly, Supplementary Idling (NSS) | 1    | 1  |
| 21   | -        | -            | Nut (NSS)                                  | 1    | 1  |
| 22   | -        | -            | Shackle (NSS)                              | 1    | 1  |
| 23   | -        | -            | Swiveling Lever Assembly (NSS)             | 1    | 1  |
| 24   | -        | -            | Notch Screw (NSS)                          | 1    | 1  |
| 25   | -        | -            | Bearing Bush (NSS)                         | 2    | 2  |
| 26   | -        | -            | 'O' Ring (NSS)                             | 2    | 2  |
| 27   | -        | -            | Circlip (NSS)                              | 2    | 2  |
| 28   | -        | -            | Spring, Governor (NSS)                     | 1    | 1  |
| 29   | -        | -            | Washer (NI) (NSS)                          | 1    | 1  |
| 30   | -        | -            | Spring Washer (NI) (NSS)                   | 2    | 2  |
| 31   | -        | -            | 'O' Ring (NSS)                             | 1    | 1  |
| 32   | -        | -            | Washer (0.5 mm Thick) (NSS)                | 2    | 2  |
| -    | -        | -            | Washer (1.0 mm Thick) (NSS)                | AR   | AR |
| 33   | -        | -            | Control Lever (NSS)                        | 1    | 1  |
| 34   | ESL11847 | EXP-13505-AA | Screw                                      | 2    | 2  |
| 35   | -        | -            | Cap (NSS)                                  | 1    | 1  |
| 36   | ESL10384 | EXP-14107-AA | Stop Lever With Bracket                    | 1    | 1  |
| 37   | ESL10385 | EXP-13507-AA | Sealing Washer                             | 2    | 2  |
| 38   | -        | -            | Spring (NSS)                               | 1    | 1  |
| 39   | -        | -            | 'O' Ring (NSS)                             | 1    | 2  |



**FIP GOVERNOR - MECHANICAL**

**3B:11**

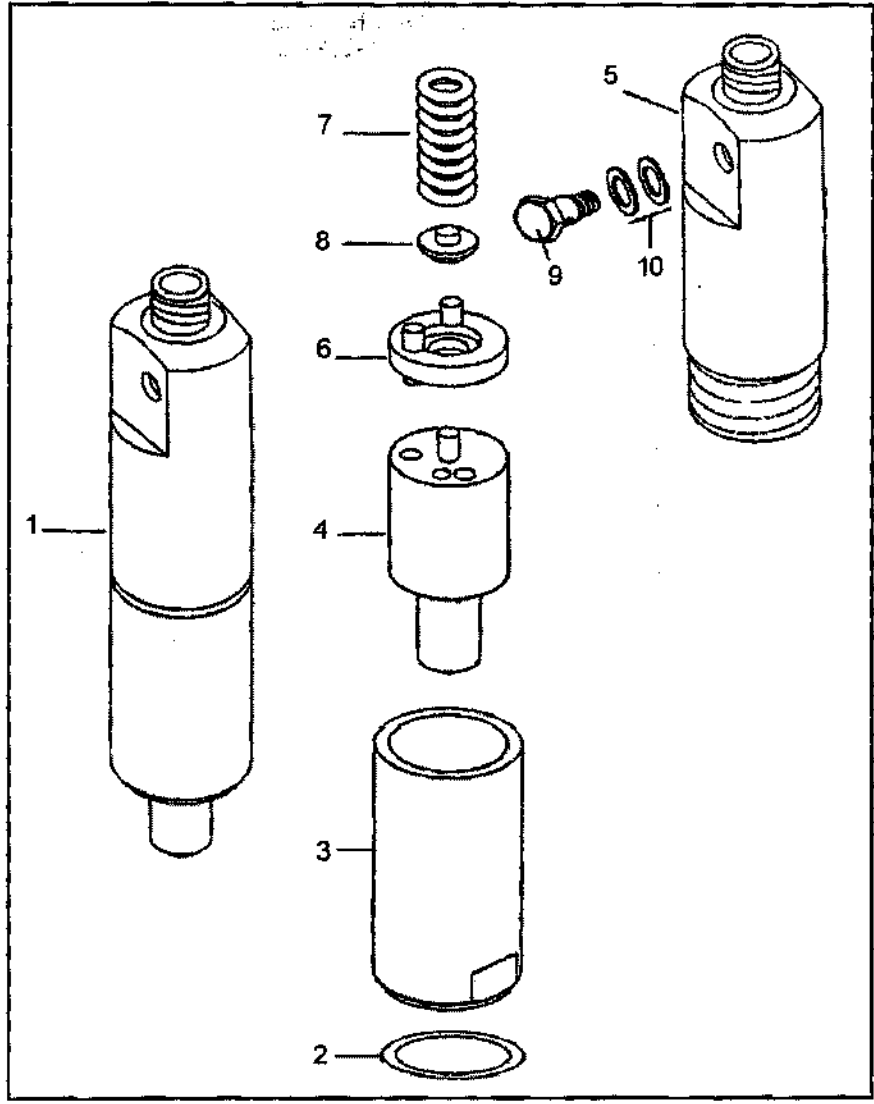
**Ⓢ** - INDICATES SERVICE SERIAL NUMBER BREAKS, **Ⓜ** - INDICATES UP TO AND INCLUDING THAT SERIAL NUMBER



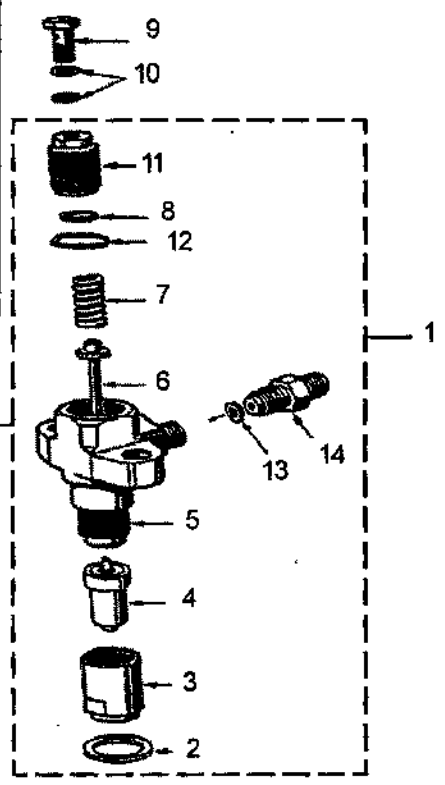


| ITEM | LONG #   | VENDOR #     | DESCRIPTION                      | QTY. |    |
|------|----------|--------------|----------------------------------|------|----|
|      |          |              |                                  | 45   | 60 |
| 40   | -        | -            | Bearing Bush (NSS)               | 1    | 1  |
| 41   | -        | -            | Cap (NSS)                        | 1    | 1  |
| 42   | -        | -            | Spring (NSS)                     | 1    | 1  |
| 43   | -        | -            | Shaft (NSS)                      | 1    | 1  |
| 44   | -        | -            | Spring Capsule (NSS)             | 1    | 1  |
| 45   | -        | -            | Supporting Lever (NSS)           | 1    | 1  |
| 46   | -        | -            | Spring (NSS)                     | 1    | 1  |
| 47   | -        | -            | Fixing Bracket (NSS)             | 1    | 1  |
| 48   | -        | -            | Spring (NSS)                     | 1    | 1  |
| 49   | -        | -            | Screw (NSS)                      | 6    | 6  |
| 50   | -        | -            | Screw (NSS)                      | 1    | 1  |
| 51   | -        | -            | Spring Washer (NSS)              | 1    | 1  |
| 52   | -        | -            | Flyweight Assembly (NSS)         | 1    | 1  |
| 53   | -        | -            | Spring Washer (NSS)              | 1    | 1  |
| 54   | -        | -            | Nut, Round (NSS)                 | 1    | 1  |
| 55   | -        | -            | Spring, Ring (NSS)               | 1    | 1  |
| 56   | -        | -            | Washer (NSS)                     | 1    | 1  |
| 57   | -        | -            | Bearing Bush (NSS)               | 1    | 1  |
| 58   | -        | -            | Compensating Washer, 0.2mm (NSS) | AR   | AR |
| -    | -        | -            | Compensating Washer, 0.3mm (NSS) | AR   | AR |
| -    | -        | -            | Compensating Washer, 0.4mm (NSS) | AR   | AR |
| -    | -        | -            | Compensating Washer, 1.0mm (NSS) | AR   | AR |
| 59   | -        | -            | Starting Spring (NSS)            | 1    | 1  |
| 60   | -        | -            | Sleeve, Starting Spring (NSS)    | 2    | 2  |
| 61   | -        | -            | Screw (Lower) (NSS)              | 4    | 4  |
| 62   | -        | -            | Screw (Upper) (NSS)              | 2    | 2  |
| 63   | ESL10402 | EXP-13523-AA | Closing Plug                     | 1    | 1  |
| 64   | ESL11852 | EXP-13524-AA | Cap Nut                          | 1    | 1  |
| 65   | ESL11853 | EXP-13525-AA | Cap Nut                          | 1    | 1  |
| 66   | -        | -            | Fixing Bracket (NI) (NSS)        | 1    | 1  |

**Current Version**



**Old Version**



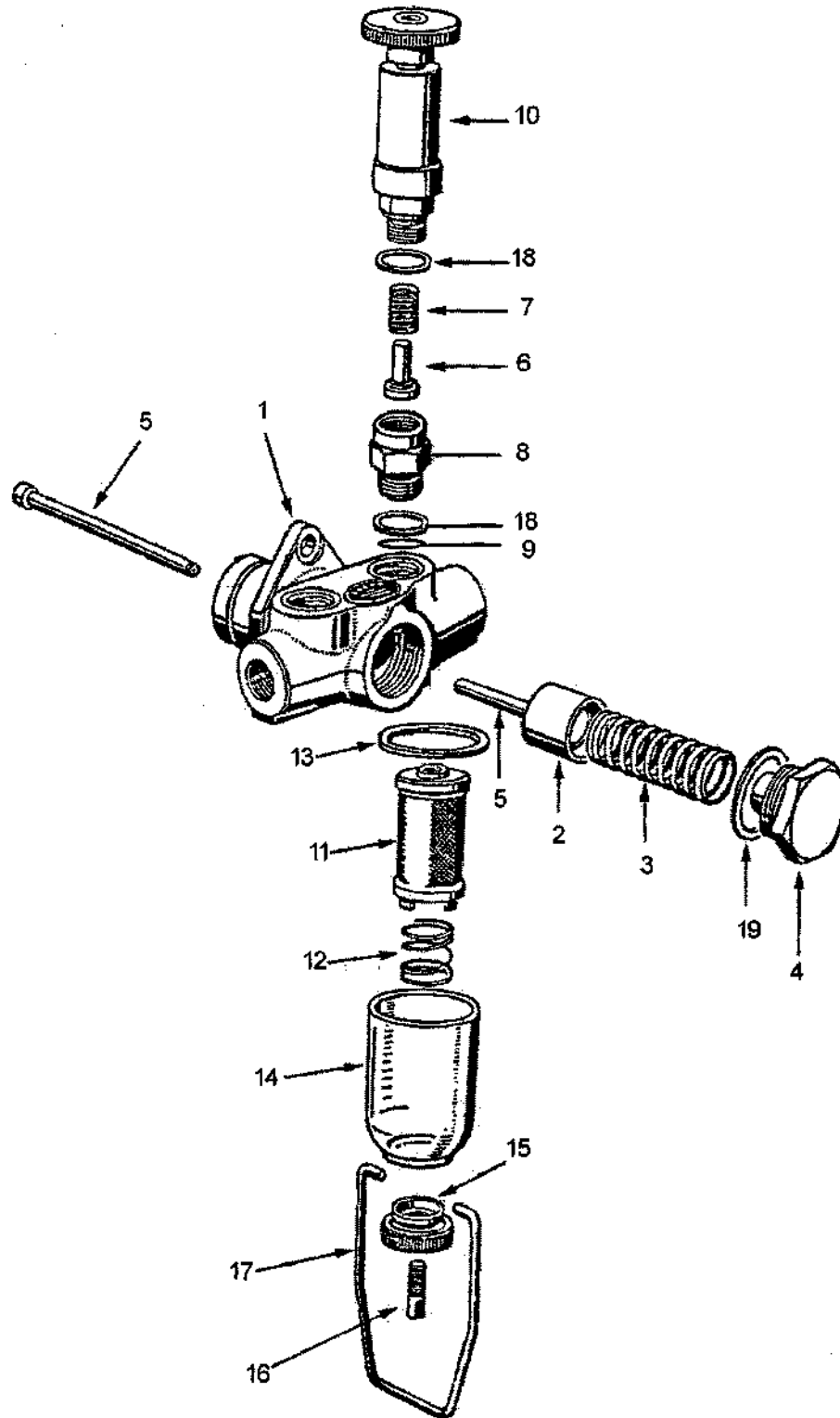
**INJECTOR ASSEMBLY**

| ITEM   | LONG #   | VENDOR #     | DESCRIPTION                                   | QTY. | 45 | 60 |
|--------|----------|--------------|---|------|----|----|
| 1      | ESL12024 | 14-64590-AA  | Injector Assembly (Includes Items #1-6, 9-12) | 3    | -  | -  |
| - (S)  | ESL12057 | 13-64590-AA  | Injector Assembly (Includes Items #1-6, 9-12) | -    | -  | 3  |
| 2      | ESL11652 | 72NH-9E529-A | Nozzle Sealing Washer (NSS)                   | 3    | 3  | 3  |
| 3      | -        | -            | Cap, Nut Nozzle (NSS)                         | 3    | 3  | 3  |
| 4 (S)  | ESL13277 | F002-C30-108 | Nozzle  | 3    | 3  | 3  |
| 5      | -        | -            | Nozzle Holder (NSS)                           | 3    | 3  | 3  |
| 6      | -        | -            | Pressure Disc or Bolt                         | 3    | 3  | 3  |
| 7 (S)  | -        | -            | Spring  | -    | -  | 3  |
| 8      | -        | -            | Seat, Spring (NSS)                            | 3    | 3  | 3  |
| 9 (S)  | ESL14591 | 9431033422   | Bolt, Banjo (M8x1)                            | 3    | 3  | 3  |
| 10 (S) | ESL14592 | 2916710602   | Washer  | 6    | 6  | 6  |

**Service Serial Number Breaks:**

|    |          |               |                             |           |   |    |
|----|----------|---------------|-----------------------------|-----------|---|----|
| 1  | ESL10422 | 86NH-9F593-AA | Injector Assembly           | ↙ 259837  | - | 3  |
| 4  | ESL10421 | 75NH-9E527-A  | Nozzle                      | ↙ 259837  | - | 3  |
| 7  | ESL10408 | EXP-10325     | Spring                      | ↙ 259837  | - | 3  |
| 8  | ESL10409 | EXP-10330     | Shim, Spring PA (0.30mm)    | ↙ 259837  | - | AR |
| -  | ESL10410 | EXP-10331     | Shim, Spring PA (0.65mm)    | ↙ 259837  | - | AR |
| -  | ESL10411 | EXP-10332     | Shim, Spring PA (0.40mm)    | ↙ 259837  | - | AR |
| -  | ESL10412 | EXP-10333     | Shim, Spring PA (0.45mm)    | ↙ 259837  | - | AR |
| -  | ESL10413 | EXP-10334     | Shim, Spring PA (0.50mm)    | ↙ 259837  | - | AR |
| -  | ESL10414 | EXP-10335     | Shim, Spring PA (0.55mm)    | ↙ 259837  | - | AR |
| -  | ESL10415 | EXP-10336     | Shim, Spring PA (0.60mm)    | ↙ 259837  | - | AR |
| -  | ESL10416 | EXP-10337     | Shim, Spring PA (1.00mm)    | ↙ 259837  | - | AR |
| -  | ESL10417 | EXP-10338     | Shim, Spring PA (2.00mm)    | ↙ 259837  | - | AR |
| -  | ESL10418 | EXP-10339     | Shim, Spring PA (0.10mm)    | ↙ 259837  | - | AR |
| 9  | ESL13683 | 73NH-9N663-A  | Bolt, Banjo (M8x1)          | ↙ 2598373 | - | 3  |
| 10 | ESL11650 | 73NH-9N661-A  | Washer                      | ↙ 259837  | - | 6  |
| 11 | -        | -             | Cap Nut, Spring (NSS)       | ↙ 259837  | - | 3  |
| 12 | ESL11669 | EXP-10327     | Washer                      | ↙ 259837  | - | 3  |
| 13 | ESL11670 | 72NH-9G547-A  | Washer                      | 259837    | - | 3  |
| 14 | -        | -             | Inlet Connection Stud (NSS) | 259837    | - | 3  |

**INJECTOR ASSEMBLY**




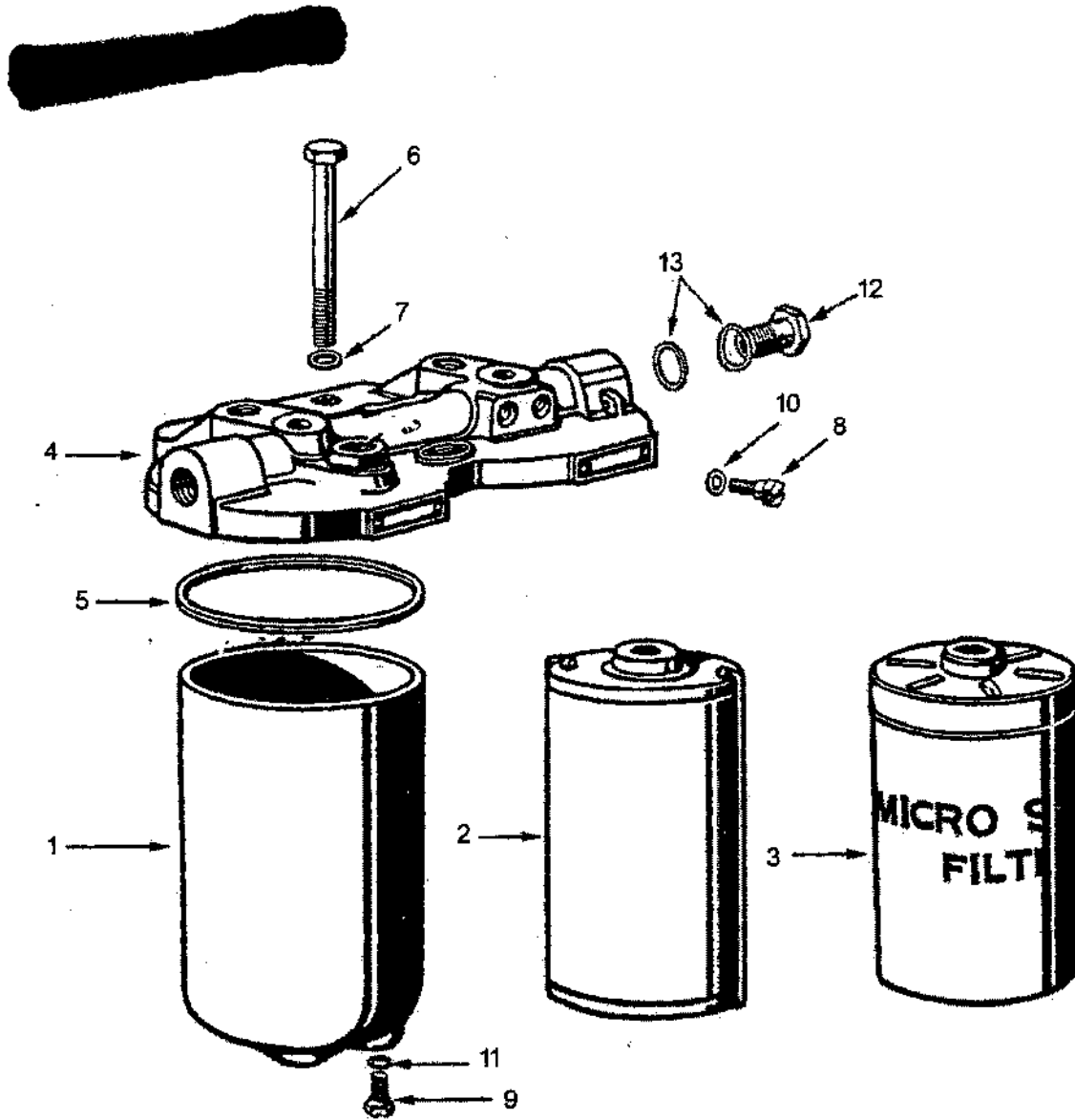
**FUEL FEED PUMP & PRE-FILTER**

**3B:15**

Ⓢ- INDICATES SERVICE SERIAL NUMBER BREAKS,

∨- INDICATES UP TO AND INCLUDING THAT SERIAL NUMBER

| ITEM | LONG #   | VENDOR #     | DESCRIPTION  | QTY.         |
|------|----------|--------------|--|--------------|
|      |          |              |  | <b>45 60</b> |
| -    | ESL10442 | 76NH-9350-A  | Fuel Feed Pump Assembly <br>(Includes Items #1-2a) | 1 1          |
| 1    | -        | -            | Housing, Fuel Feed Pump (NSS)  | 1 1          |
| 2    | -        | -            | Pump Plunger (NSS)   | 1 1          |
| 3    | ESL10426 | EXP-10144    | Spring, Pump Plunger   | 1 1          |
| 4    | ESL10427 | EXP-10145    | Closing Plug   | 1 1          |
| 5    | ESL10428 | EXP-10142    | Pressure Spindle   | 1 1          |
| 6    | ESL10429 | EXP-10152    | Valve  | 1 1          |
| 7    | ESL10430 | EXP-10153    | Spring   | 1 1          |
| 8    | ESL10431 | EXP-10154    | Reducing Nipple  | 1 1          |
| 9    | ESL13406 | 24-40210-009 | 'O' Ring   | 1 1          |
| 10   | ESL10432 | EXP-10156    | Hand Primer  | 1 1          |
| 11   | ESL10433 | EXP-10908-A  | Prefilter Sieve  | 1 1          |
| 12   | ESL10434 | EXP-10909-A  | Spring   | 1 1          |
| 13   | ESL10435 | EXP-10907-A  | Sealing Washer   | 1 1          |
| 14   | ESL10436 | EXP-10906-A  | Prefilter Housing  | 1 1          |
| 15   | ESL10437 | EXP-10911-A  | Clamping Nut   | 1 1          |
| 16   | ESL10438 | EXP-10912-A  | Stud   | 1 1          |
| 17   | ESL10439 | EXP-10913-A  | Clip   | 1 1          |
| 18   | ESL10440 | EXP-10155    | Sealing Ring   | 2 2          |
| 19   | ESL10441 | EXP-10146    | Sealing Ring   | 1 1          |



**FUEL FILTER ASSEMBLY**

| ITEM     | LONG #   | VENDOR #     | DESCRIPTION            | QTY. |    |
|----------|----------|--------------|------------------------|------|----|
|          |          |              |                        | 45   | 60 |
| 1-13 (S) | ESL13313 | 13-64150-AA  | Filter Assembly, Fuel  | 1    | 1  |
| 1        | ESL10443 | EXP-10342    | Filter Bowl            | 2    | 2  |
| 2        | ESL10444 | 72NH-9176-B  | Filter Fuel, Secondary | 1    | 1  |
| 3        | ESL10445 | 72NH-9176-A  | Filter Fuel, Primary   | 1    | 1  |
| 4        | ESL10446 | 72NH-9165-A  | Cover, Filter          | 1    | 1  |
| 5        | ESL11671 | 72NH-9D325-A | Washer                 | 2    | 2  |
| 6        | ESL11855 | EXP-10345    | Screw, Fixing          | 2    | 2  |
| 7        | ESL11672 | 72NH-9F278-A | Washer                 | 2    | 2  |
| 8        | ESL11856 | EXP-10343    | Screw, Air Vent        | 2    | 2  |
| 9        | ESL11857 | EXP-10897-A  | Sludge Screw           | 2    | 2  |
| 10       | ESL11673 | EXP-10344    | Washer                 | 2    | 2  |
| 11       | ESL10447 | EXP-10896-A  | Sealing Washer         | 2    | 2  |
| 12       | ESL11778 | 74NH-9N663-A | Banjo Bolt             | 2    | 2  |
| 13       | ESL10357 | 82835036     | Sealing Washer         | 4    | 4  |

**Service Serial Number Breaks:**

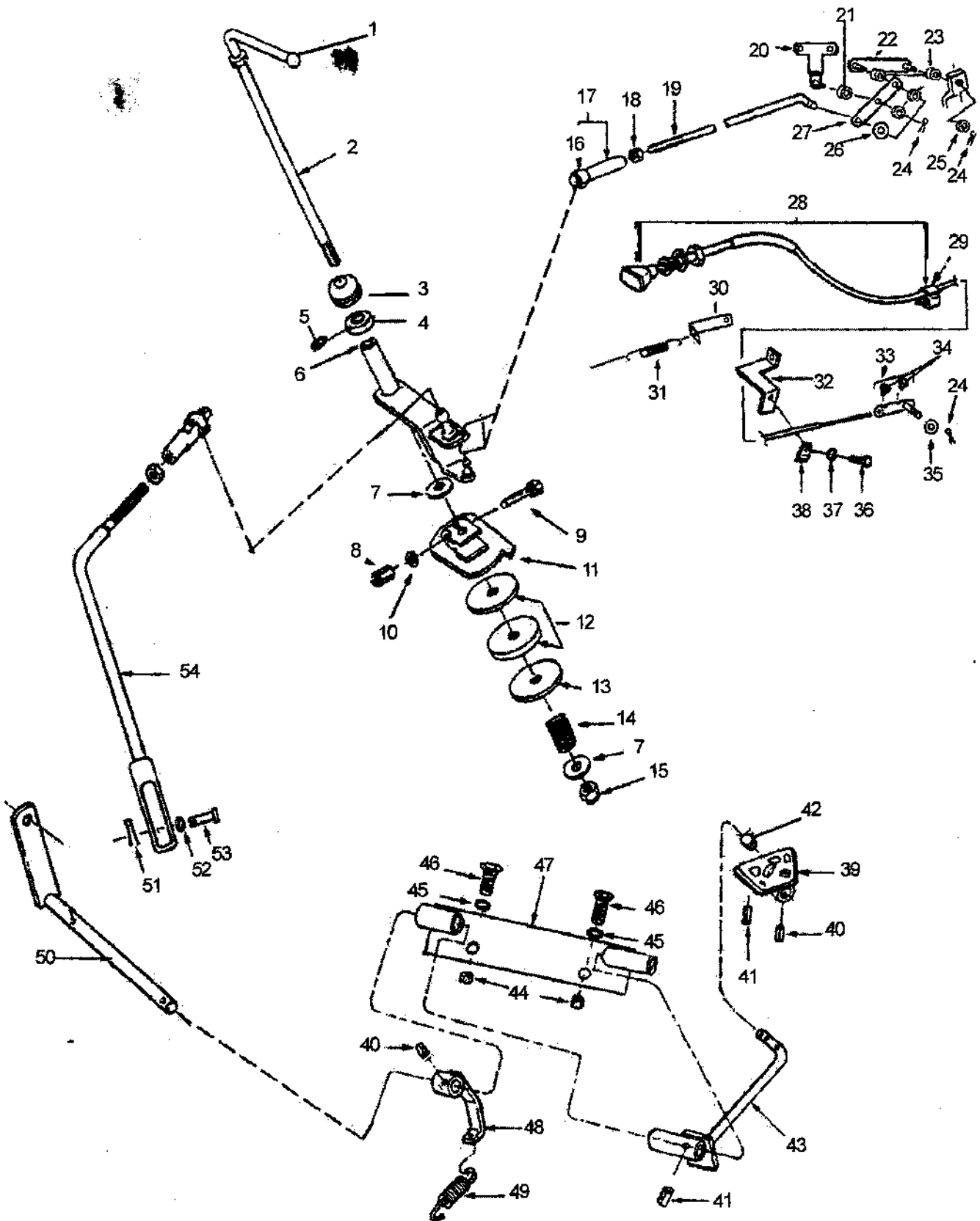
|      |          |             |                       |          |   |   |
|------|----------|-------------|-----------------------|----------|---|---|
| 1-13 | ESL10448 | 73NH-9155-A | Filter Assembly, Fuel | ↳ 259837 | - | 1 |
|------|----------|-------------|-----------------------|----------|---|---|

**Service Kits:**

|   |        |              |  |  |   |   |
|---|--------|--------------|--|--|---|---|
| A | 906367 | 9451037404/5 | Filter Set, Primary & Secondary<br>(Includes Items #2 & 3) |  | 1 | 1 |
|---|--------|--------------|--|--|---|---|



35/45/60



THROTTLE & ACCELERATION CONTROLS

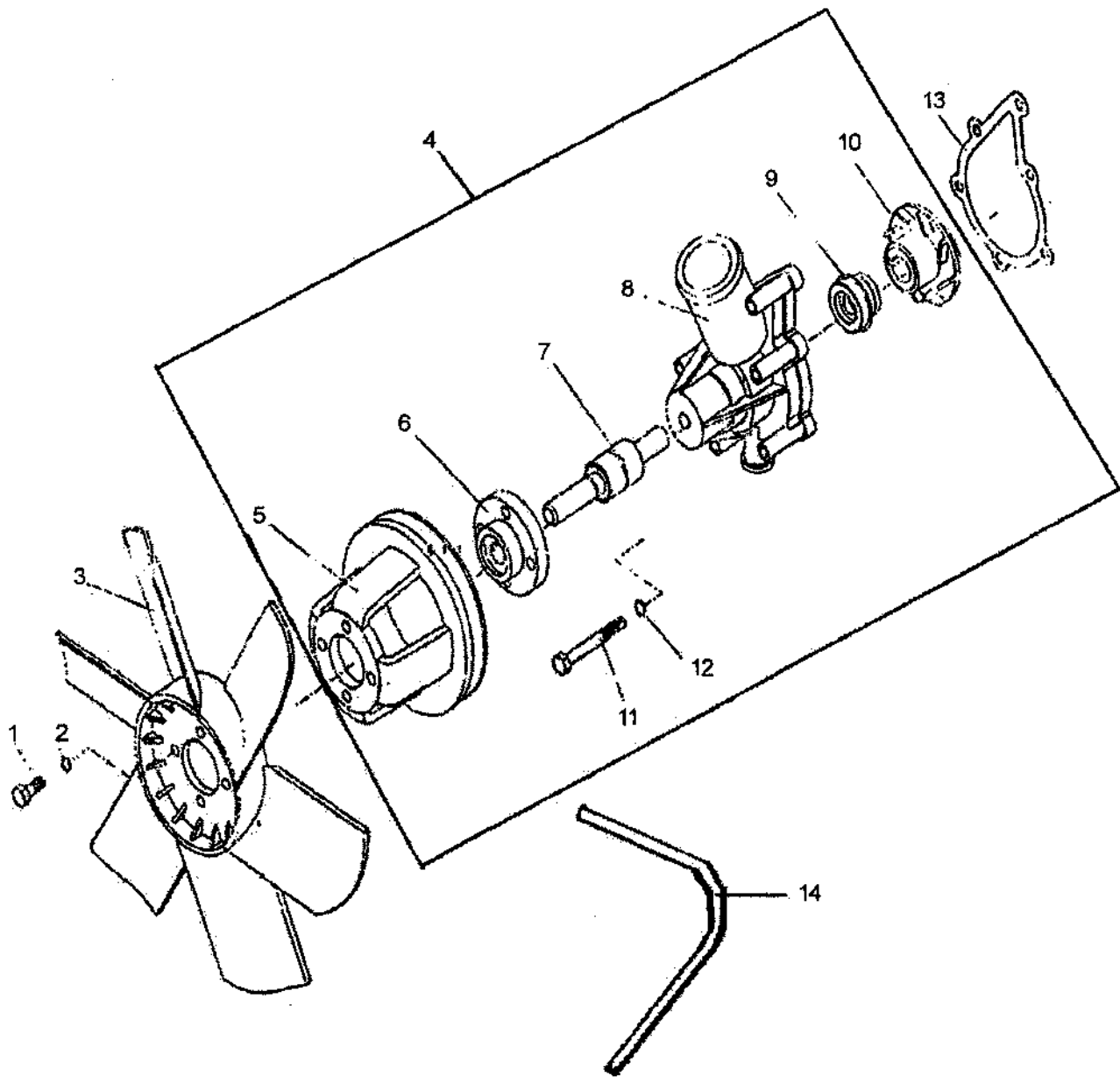
3B:19

© - INDICATES SERVICE SERIAL NUMBER BREAKS,

↳ - INDICATES UP TO AND INCLUDING THAT SERIAL NUMBER



# COOLING SYSTEM



**WATER PUMP**

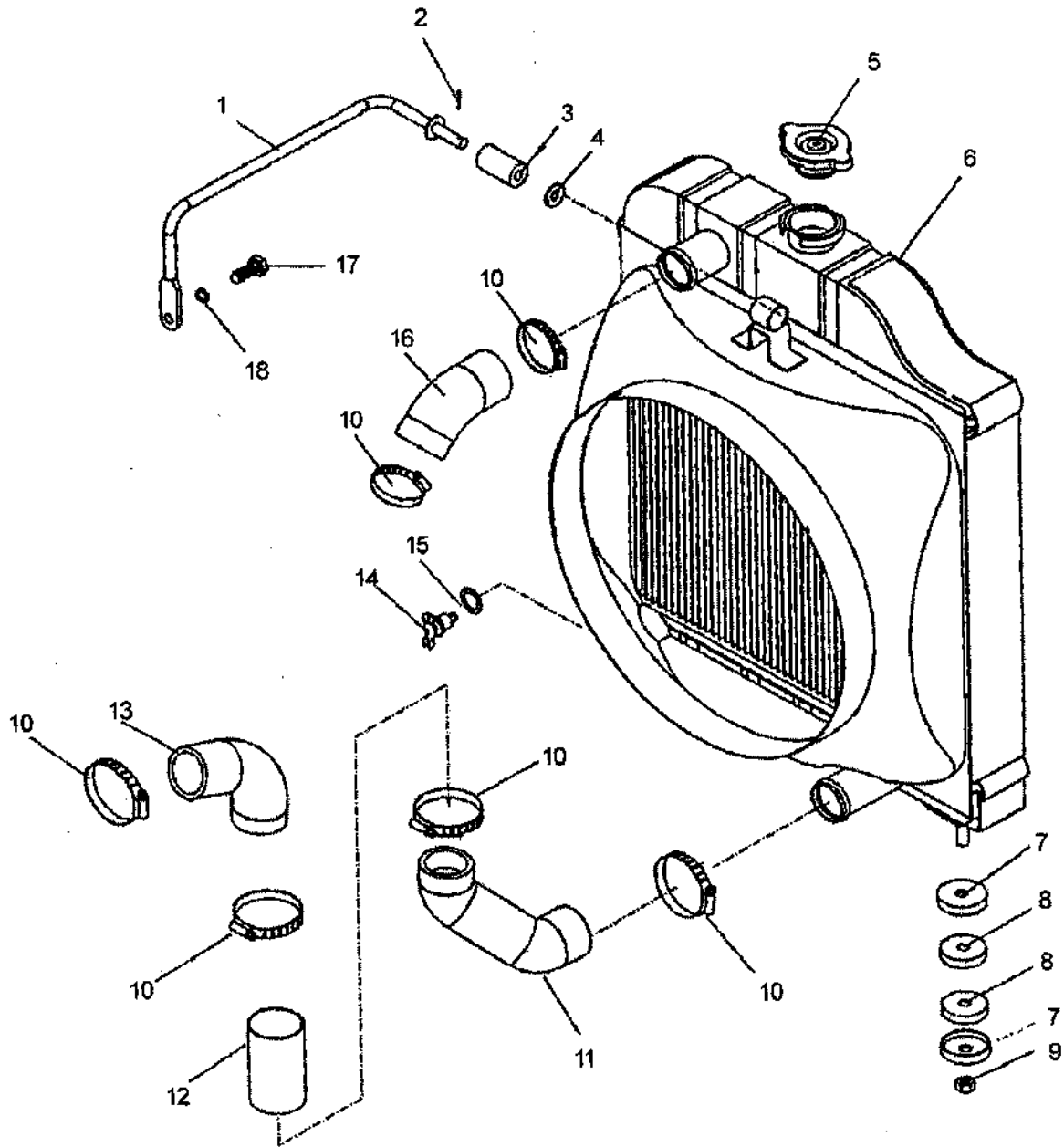
4A:1

Ⓢ- INDICATES SERVICE SERIAL NUMBER BREAKS, <- INDICATES UP TO AND INCLUDING THAT SERIAL NUMBER



| <i>ITEM</i> | <i>LONG #</i> | <i>VENDOR #</i> | <i>DESCRIPTION</i>       | <i>QTY.</i> |
|-------------|---------------|-----------------|--------------------------|-------------|
|             |               |                 |                          | <b>35</b>   |
| 1           | N-605531-S8   | N-605531-S36    | Screw (M8x20)            | 4           |
| 2           | 34806-S8      | 34806-S36       | Washer, Lock (M8)        | 4           |
| 3           | ESL14435      | 22-80600-BA     | Fan Radiator (Plastic)   | 1           |
| 4           | ESL14436      | T77.14.802.1    | Water Pump Assembly      | 1           |
| 5           | ESL14437      | T77.14.007.1    | Water Pump Pulley        | 1           |
| 6           | ESL14438      | T77.14.013.0    | Hub                      | 1           |
| 7           | ESL14439      | T77.14.003.0    | Integral Shaft Bearing   | 1           |
| 8           | -             | -               | Water Pump Body (NSS)    | 1           |
| 9           | ESL14440      | 8.14.908.0      | Water Pump Seal Assembly | 1           |
| 10          | ESL14441      | T77.14.008.0a   | Impeller                 | 1           |
| 11          | N-605534-S8   | N-605534-S36    | Bolt                     | 4           |
| 12          | N-630173-S8   | N-630173-S36    | Spring Washer (W2.08)    | 5           |
| 13          | ESL14442      | T77.14.010.0    | Gasket, Water Pump       | 1           |
| 14          | ESL14443      | 22-10301-AA     | Drive Belt, Rubber       | 1           |

**WATER PUMP**



**RADIATOR**

**4A:3**



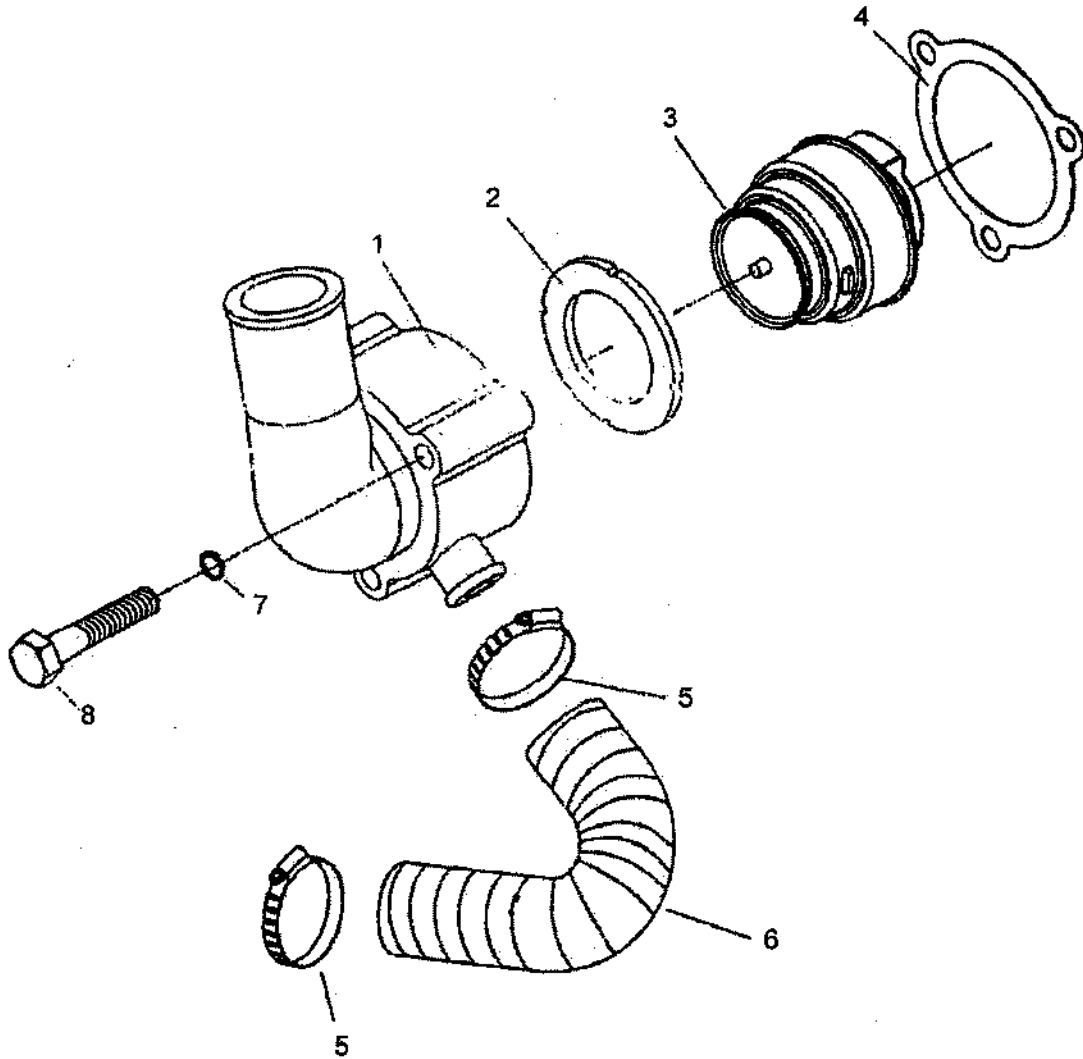
INDICATES SERVICE SERIAL NUMBER BREAKS,



INDICATES UP TO AND INCLUDING THAT SERIAL NUMBER

| <i>ITEM</i> | <i>LONG #</i> | <i>VENDOR #</i> | <i>DESCRIPTION</i>       | <i>QTY.</i> |
|-------------|---------------|-----------------|--------------------------|-------------|
|             |               |                 |                          | <b>35</b>   |
| 1           | ESL14444      | 22-80150-AA     | Radiator Support         | 1           |
| 2           | ESL14445      | 22-80093-AA     | Split Pin                | 1           |
| 3           | ESL14446      | 22-80091-AA     | Rubber Bush              | 1           |
| 4           | ESL14447      | 22-80092-AA     | Washer, Radiator Support | 1           |
| 5           | ESL14556      | 22-80100-AA     | Filler Cap               | 1           |
| 6           | ESL14448      | 22-80050-CA     | Radiator Assembly        | 1           |
| 7           | ESL14449      | 22-80118-AA     | Radiator Mounting Cup    | 4           |
| 8           | ESL14450      | 22-80116-AA     | Rubber Pad               | 4           |
| 9           | ESL14557      | 22-80117-AA     | Nylock Nut (M10)         | 2           |
| 10          | ESL14451      | 22-80111-AA     | Clamp Hose               | 6           |
| 11          | ESL14452      | 22-80288-AA     | Hose Bend                | 1           |
| 12          | ESL14453      | 22-80287-AA     | Tube Steel               | 1           |
| 13          | ESL14454      | 22-80286-CB     | Hose, Lower              | 1           |
| 14          | ESL14455      | 22-80115-AA     | Drain Cock               | 1           |
| 15          | ESL14558      | 22-80096-AA     | Washer                   | 1           |
| 16          | ESL14456      | 22-80260-BA     | Hose, Upper              | 1           |
| 17          | ESL14457      | 22-80094-AA     | Screw (M10x21)           | 1           |
| 18          | N-630174-S8   | N-630174-S36    | Spring Washer (M10)      | 1           |
| 19          | ESL14458      | 22-80290-AA     | Radiator Sealing Kit     | 1           |

**RADIATOR**



**THERMOSTAT**

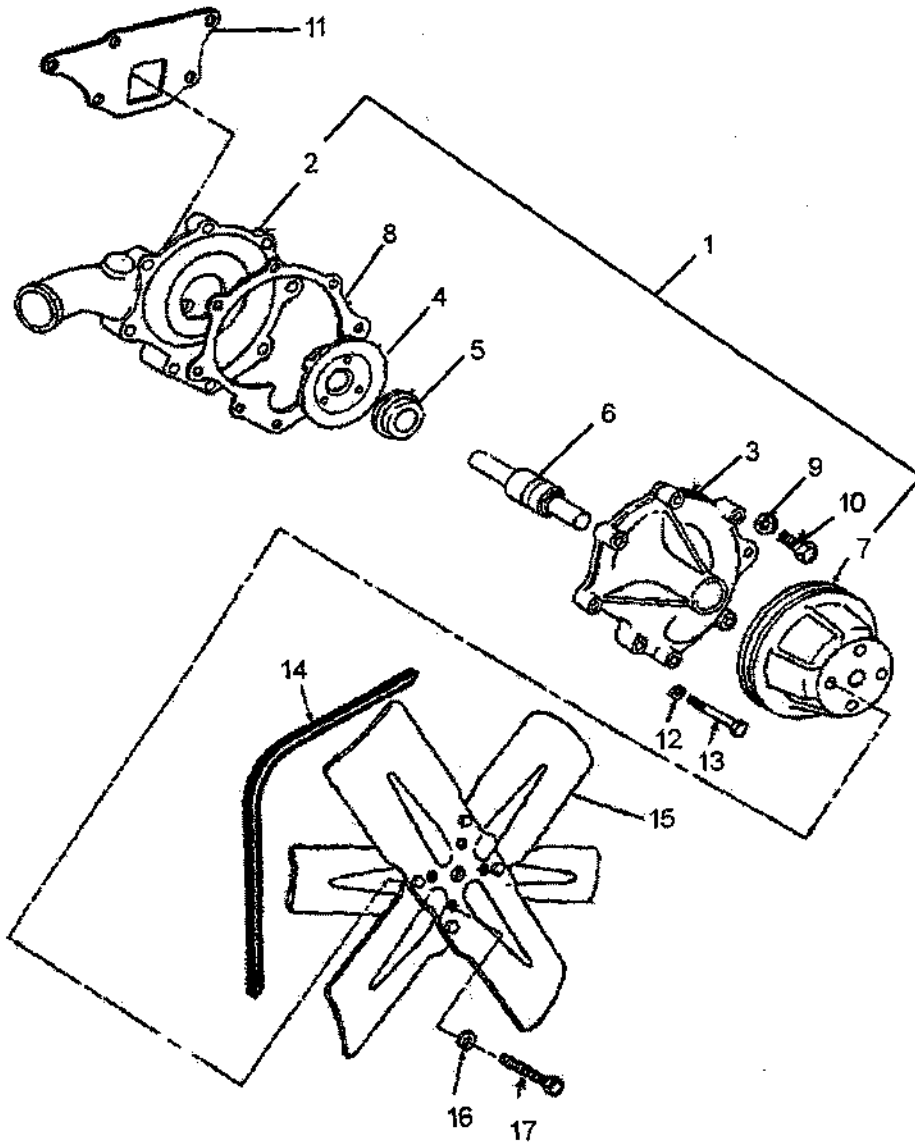
**4A:5**

**Ⓢ**- INDICATES SERVICE SERIAL NUMBER BREAKS, **∨**- INDICATES UP TO AND INCLUDING THAT SERIAL NUMBER



| <i>ITEM</i> | <i>LONG #</i> | <i>VENDOR #</i> | <i>DESCRIPTION</i>              | <i>QTY.</i> |
|-------------|---------------|-----------------|---------------------------------|-------------|
|             |               |                 |                                 | <b>35</b>   |
| 1           | ESL14459      | 22-60463-AA     | Thermostat Housing              | 1           |
| 2           | ESL14460      | 22-60451-AA     | Sealing Ring                    | 1           |
| 3           | ESL14461      | 22-60452-AA     | Thermostat Unit                 | 1           |
| 4           | ESL14462      | 22-60453-AA     | Gasket, Thermostat Housing      | 1           |
| 5           | ESL14463      | 22-60456-AA     | Hose Clamp                      | 2           |
| 6           | ESL14464      | 22-60457-AA     | Hose, W/P to Thermostat Housing | 1           |
| 7           | N-630173-S8   | N-630173-S36    | Spring Washer                   | 3           |
| 8           | ESL14465      | 22-60454-AA     | Bolt (M8x55-6.6)                | 3           |

**THERMOSTAT**

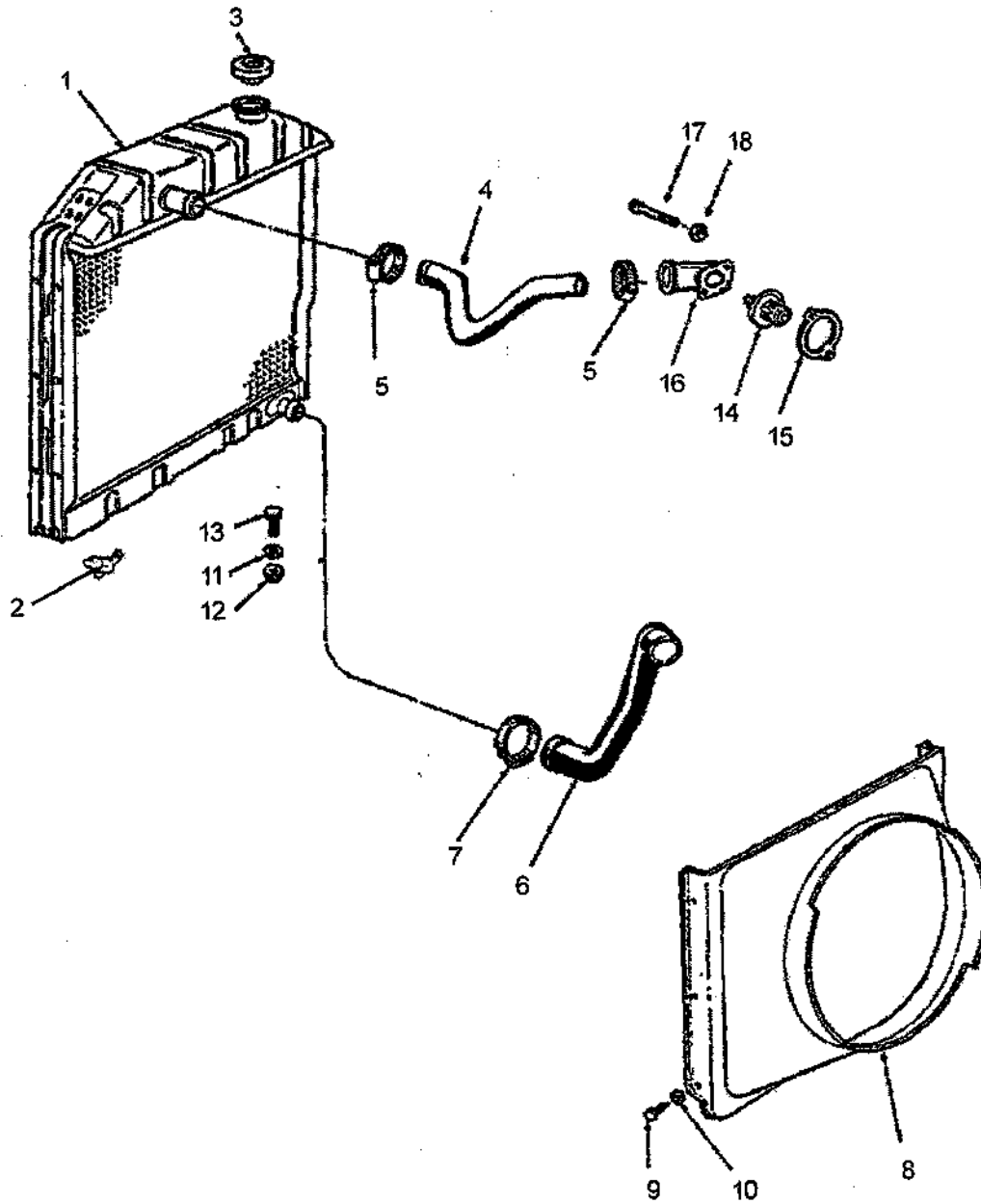


**WATER PUMP**



| ITEM | LONG #    | VENDOR #      | DESCRIPTION  | QTY. |    |
|------|-----------|---------------|--|------|----|
|      |           |               |  | 45   | 60 |
| 1    | ESL10520  | 82835059      | Water Pump Assembly (Includes Item #2-13)          | 1    | 1  |
| 2    | -         | -             | Housing, Water Pump (NSS)                          | 1    | 1  |
| 3    | -         | -             | Cover, Water Pump Housing (NSS)                    | 1    | 1  |
| 4    | -         | -             | Impeller, Water Pump (NSS)                         | 1    | 1  |
| 5    | -         | -             | Bearing, Water Pump (NSS)                          | 1    | 1  |
| 6    | ESL10510  | 92NH-8A559-AA | Seal & Seat Assembly                               | 1    | 1  |
| 7    | ESL10511  | C5NE-8509-A   | Pulley, Water Pump                                 | 1    | 1  |
| 8    | ESL10512  | C5NE-8513-A   | Gasket, Water Pump Cover                           | 1    | 1  |
| 9    | 34806-S8  | 34806-S36     | Washer, Lock (5/16)                                | 4    | 4  |
| 10   | 304758-S8 | 304758-S36    | Bolt, Hex Head (5/16-18x1.50)                      | 4    | 4  |
| 11   | ESL10514  | E5NN-8507-AA  | Gasket, Water Pump                                 | 1    | 1  |
| 12   | 34808-S8  | 34808-S36     | Washer, Lock (7/16)                                | 4    | 4  |
| 13   | 302549-S8 | 302549-S36    | Bolt, Hex Head                                     | 4    | 4  |
| 14   | ESL10516  | D3NN-10C318-C | Belt Drive   | 1    | 1  |
| 15   | ESL10518  | 90NH-8600-AB  | Fan Assembly                                       | 1    | 1  |
| 16   | 34806-S8  | 34806-S36     | Washer, Lock (5/16)                                | 4    | 4  |
| 17   | 304685-S8 | 304685-S36    | Bolt, Hex Head (5/16-24x0.88)                      | 4    | 4  |
| -    | ESL13307  | SPF.793-000   | Water Pump Repair Kit (Includes Items #4-6, 8, 11) | 1    | 1  |

**WATER PUMP**



**RADIATOR**

| ITEM | LONG #    | VENDOR #      | DESCRIPTION                              | QTY. |    |
|------|-----------|---------------|--|------|----|
|      |           |               |  | 45   | 60 |
| 1    | ESL11999  | 12-80100-AA   | Radiator & Shroud Assembly               | 1    | -  |
| -    | ESL10505  | 11-80010-AA   | Radiator & Shroud Assembly               | -    | 1  |
| 2    | ESL10492  | C5NN-8115-B   | Cock Assembly, Radiator Drain            | 1    | 1  |
| 3    | ESL10493  | 82NH-8100-AA  | Cap Assembly, Pressure                   | 1    | 1  |
| 4    | ESL10494  | 71NH-8260-A   | Hose Radiator, Upper-                    | 1    | 1  |
| 5    | ESL10495  | 74NH-8287-A   | Clamp, Radiator Hose, Upper              | 2    | 2  |
| 6    | ESL10496  | C5NN-8286-B   | Hose Radiator, Lower                     | 1    | 1  |
| 7    | ESL10497  | 81NH-8N111-AA | Clamp, Radiator Hose, Lower              | 2    | 2  |
| 8    | ESL10498  | 82835422      | Shroud Fan                               | 1    | 1  |
| 9    | ESL11859  | 357622-S36    | Screw & Lockwasher Assembly (0.832x0.37) | 6    | 6  |
| 10   | 44710-S8  | 44710-S36     | Washer, Flat                             | 6    | 6  |
| 11   | ESL10500  | C5NN-8125-A   | Insulator, Radiator Support              | 2    | 2  |
| 12   | 34978-S8  | 34978-S36     | Nut, Lock (7/16-14)                      | 2    | 2  |
| 13   | 23607-S8  | 23607-S36     | Bolt, Round Head (7/16-14x3.50)          | 2    | 2  |
| 14   | ESL13310  | 12-69750-AA   | Thermostat Assembly, Water               | 1    | 1  |
| 15   | ESL10502  | C2DE-8255-A   | Gasket, Water Outlet Connection          | 1    | 1  |
| 16   | ESL10503  | C7NN-8594-B   | Connection, Water Outlet                 | 1    | 1  |
| 17   | 304701-S8 | 304701-S36    | Bolt, Hex Head (5/16-18x.125)            | 2    | 2  |
| 18   | 34806-S8  | 34806-S36     | Washer, Lock (5/16)                      | 2    | 2  |
| 19   | ESL11494  | 90NH-8N036-AA | Sealing Pad (NI)                         | 1    | 1  |

**RADIATOR**

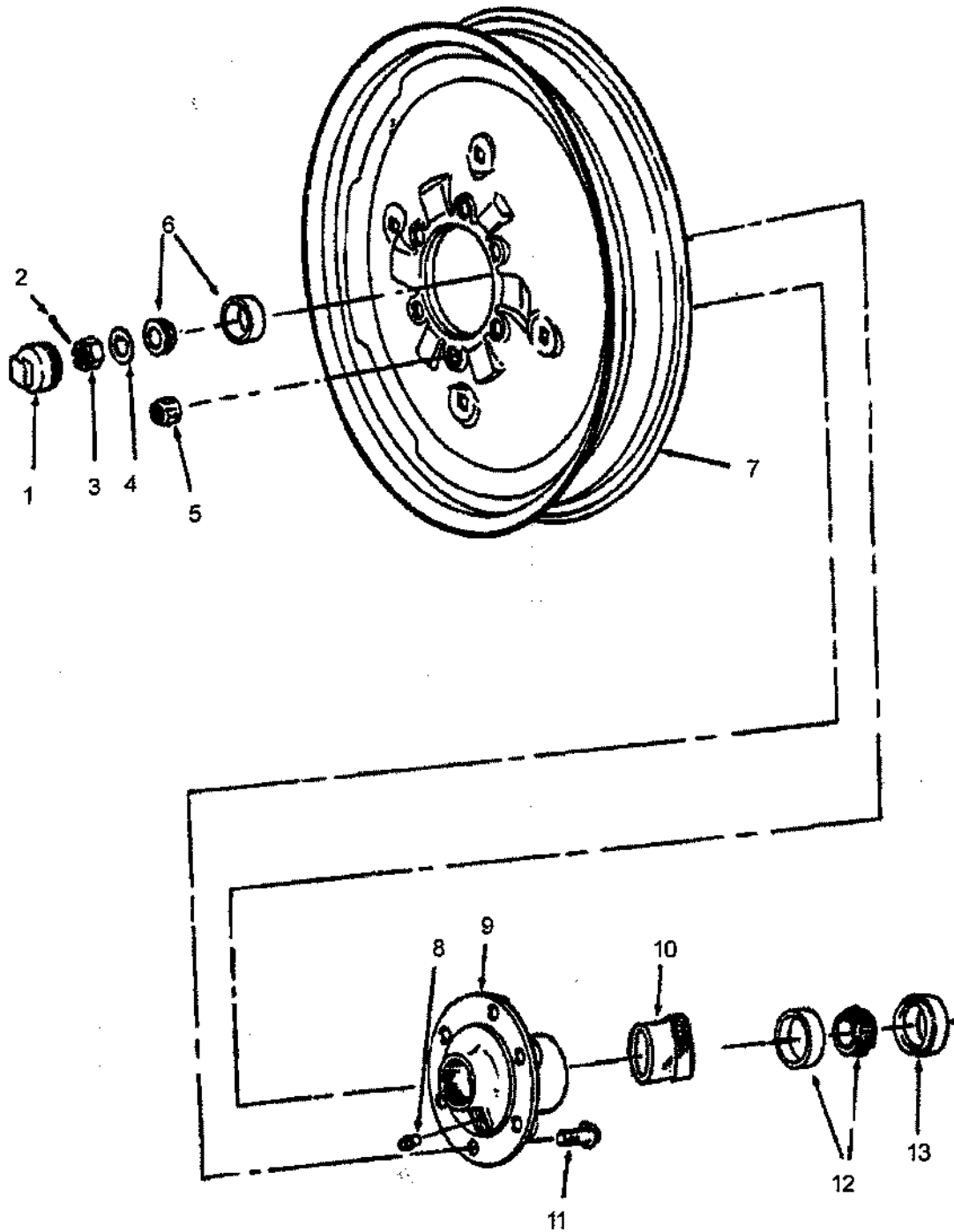
---

Notes

---

[REDACTED]

# *FRONT END & STEERING*



**FRONT WHEEL ASSEMBLY**

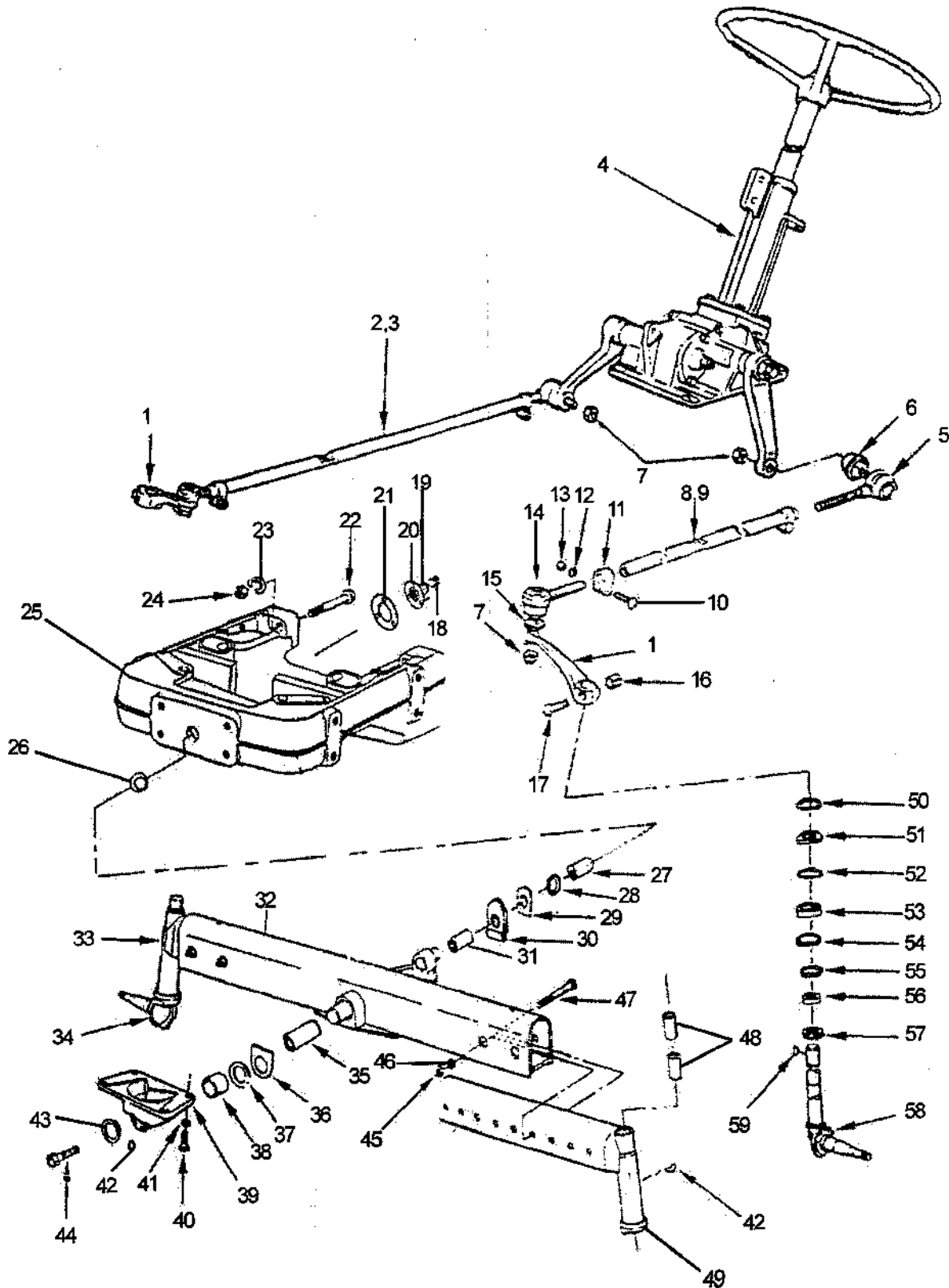


35/45/60

| ITEM | LONG #     | VENDOR #      | DESCRIPTION                           | QTY. |    |    |
|------|------------|---------------|---------------------------------------|------|----|----|
|      |            |               |                                       | 35   | 45 | 60 |
| 1    | Ⓢ ESL10526 | 11-30139-AA   | Cap, Front Wheel Hub Grease           | 2    | 2  | 2  |
| 2    | Ⓢ 72090-S8 | 72090-S8      | Pin, Cotter (5/32"-1.75)              | 2    | 2  | 2  |
| 3    | Ⓢ ESL12412 | 11-30387-AA   | Nut, Slotted Hex (1"- 12)             | 2    | 2  | 2  |
| 4    | Ⓢ ESL11860 | 11-30195-AA   | Washer, Hub Retainer                  | 2    | 2  | 2  |
| 5    | ESL11793   | C5NN-1012-B   | Nut, Front Wheel Bolt                 | 12   | 12 | 12 |
| 6    | Ⓢ ESL10524 | 11-30220-AB   | Bearing Assembly, Front Wheel Outer   | 2    | 2  | 2  |
| 7    | Ⓢ ESL12226 | 11-01010-AA   | Wheel Assembly, Front (6.00x16 Tires) | 2    | 2  | -  |
| -    | ESL12085   | 25-01010-AA   | Wheel Assembly, Front (7.50x16 Tires) | -    | -  | 2  |
| 8    | ESL10542   | 87901-S36     | Grease Nipple (1/2-27)                | 2    | 2  | 1  |
| 9    | Ⓢ ESL10528 | 11-30106-AA   | Hub, Front Wheel                      | 2    | 2  | 2  |
| 10   | ESL10529   | 91NH-1N014-AA | Bush, Front Wheel Hub                 | 2    | 2  | 2  |
| 11   | ESL11747   | C5NN-1107-F   | Bolt, Front Wheel Hub                 | 12   | 12 | 12 |
| 12   | ESL10522   | 88NH-1200-AA  | Bearing Assembly, Front Wheel Inner   | 2    | 2  | 2  |
| 13   | ESL10521   | 91NH-1N013-AA | Seal Assembly, Front Wheel Hub Dust   | 2    | 2  | 2  |

Service Serial Number Breaks:

|   |          |              |                             |          |   |   |   |
|---|----------|--------------|-----------------------------|----------|---|---|---|
| 1 | ESL10525 | 83NH-1139-AA | Cap, Front Wheel Hub Grease | Ⓚ 229493 | - | - | 2 |
| 2 | 72054-S8 | 72054-S8     | Pin, Cotter (5/32-1.25)     | Ⓚ 229493 | - | - | 2 |
| 3 | ESL12411 | 387930-S36   | Nut, Slotted Hex (3/4-16)   | Ⓚ 229493 | - | - | 2 |
| 4 | ESL11677 | 957E-1195    | Washer, Hub Retainer        | Ⓚ 229493 | - | - | 2 |
| 6 | ESL10523 | D5NN-1215-A  | Bearing Assembly Front      | Ⓚ 229493 | - | - | 2 |
| 7 | ESL12060 | 74NH-1007-B  | Wheel Assembly, Front       | Ⓚ 250541 | - | - | 2 |
| 9 | ESL10527 | 91NH-1106-AA | Hub, Front Wheel            | Ⓚ 229493 | - | - | 2 |



AXLE & STEERING PARTS

5A:3

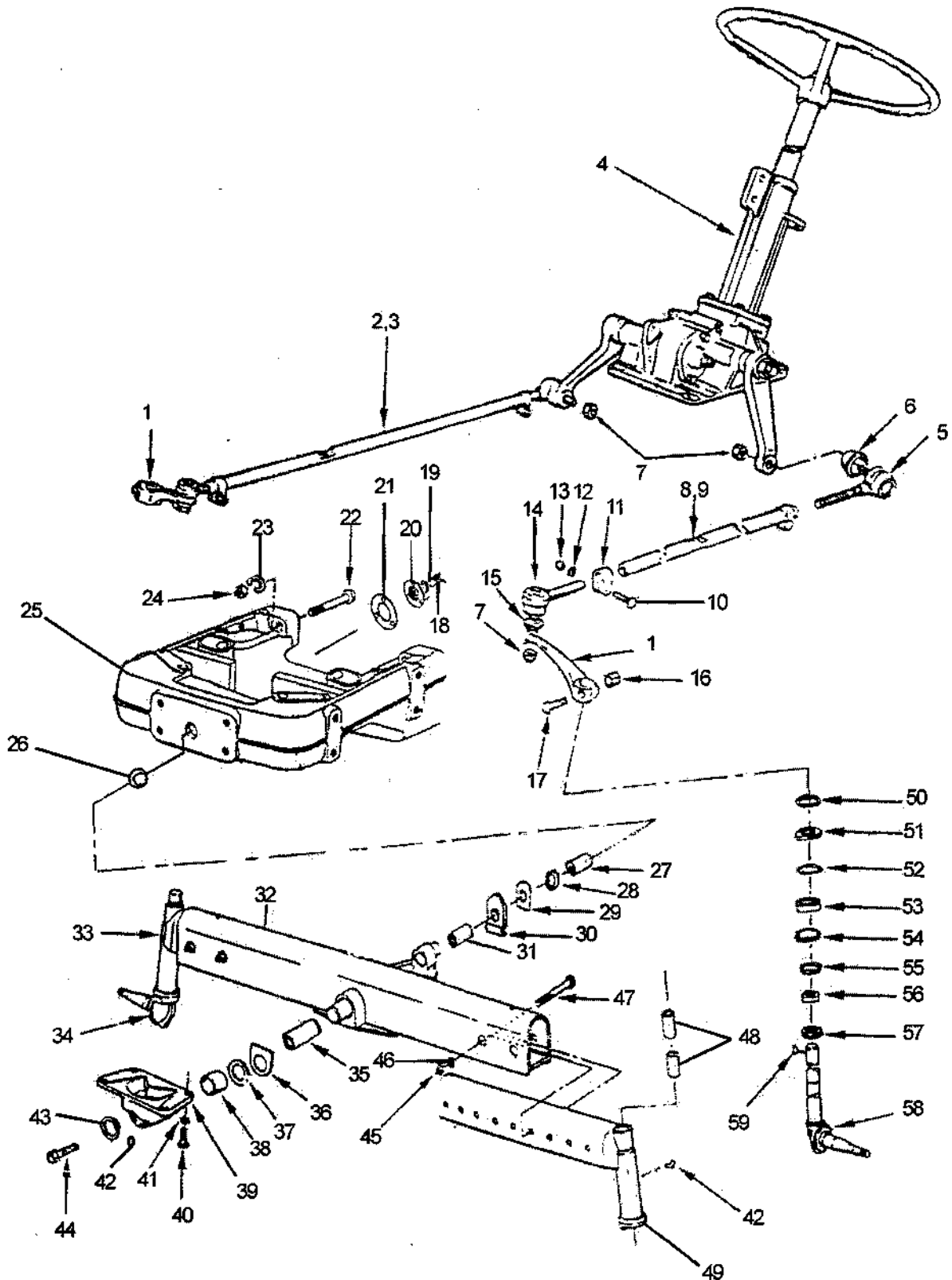
Ⓢ - INDICATES SERVICE SERIAL NUMBER BREAKS,

↳ - INDICATES UP TO AND INCLUDING THAT SERIAL NUMBER



| ITEM | LONG #      | VENDOR #       | DESCRIPTION                           | QTY.      |
|------|-------------|----------------|---------------------------------------|-----------|
|      |             |                |                                       | <b>35</b> |
| 1    | ESL15048    | 90NH-310799-AA | Arm, Steering Spindle                 | 2         |
| 2    | ESL14577    | 22-31310-AA    | Drag Link Assembly, RH                | 1         |
| 3    | ESL10533    | 90NH-3314-AA   | Sleeve RH, Steering Drag Link         | 1         |
| 4    | ESL14580    | 93NH-3503-AB   | Steering Gear Assembly                | 1         |
| 5    | ESL10531    | 92NH-3307-BA   | End Assembly, Rear Steering Drag Link | 2         |
| 6    | ESL10532    | 91NH-3N303-BA  | Cover, Steering Drag Link Rear        | 2         |
| 7    | ESL11862    | 92NH-3N306-AA  | Nut (1/2*20)                          | 4         |
| 8    | ESL14576    | 22-31300-AA    | Drag Link Assembly, LH                | 1         |
| 9    | ESL10534    | 92NH-3A319-AA  | Sleeve LH, Steering Drag Link         | 1         |
| 10   | N-600212-S8 | N-600212-S36   | Bolt, Hex Head (M8x1.25x35)           | 4         |
| 11   | ESL10537    | 71NH-3N295-A   | Clamp, Steering Drag Link             | 4         |
| 12   | 34806-S8    | 34806-S36      | Washer, Lock (5/16)                   | 4         |
| 13   | N620013-S8  | N620013-S36    | Nut, Hex (M8x1.25)                    | 4         |
| 14   | ESL10535    | 92NH-3290-BA   | End Assembly Front Steering Drag Link | 2         |
| 15   | ESL10536    | 91NH-3N303-AA  | Cover Steering Drag Link Front        | 2         |
| 16   | 34670-S8    | 34670-S36      | Nut, Hex (7/16-14)                    | 2         |
| 17   | 304862-S8   | 304862-S36     | Bolt, Hex Head (7/16-14*2.25)         | 2         |
| 18   | N-605515-S8 | N-605515-S36   | Bolt Hex Head (M6x1-12)               | 3         |
| 19   | N-630067-S8 | N-630067-S36   | Washer, Flat                          | 3         |
| 20   | ESL14575    | 22-30054-AB    | Plate & Nut Assembly, Axle Support    | 1         |
| 21   | ESL14583    | 22-30055-AA    | Gasket                                | 1         |
| 22   | ESL14574    | T77.01.031.01  | Stud, Front Axle Support              | 4         |
| 23   | ESL14219    | 22-30056-AA    | Washer, Lock (M20)                    | 4         |
| 24   | ESL14220    | 22-30057-AA    | Nut, Hex (M20x1.8)                    | 4         |
| 25   | ESL14573    | 22-30042-AA    | Support, Front Axle                   | 1         |
| 26   | ESL10558    | 82835297       | Plug Dust Front Cover                 | 1         |
| 27   | ESL10553    | 90NH-3A443-AA  | Bush, Front Axle                      | 1         |
| 28   | ESL10550    | 90NH-3N227-AA  | 'O'Seal, Support                      | 1         |
| 29   | ESL12413    | 11-30072-AA    | Washer, Thrust, Front Axle Rear       | 1         |
| 30   | ESL12424    | 11-30073-AA    | Washer, Front Axle Center Trunion     | 1         |
| 31   | ESL10549    | 93NH-3A443-AB  | Sleeve, Front Axle Center             | 1         |
| 32   | ESL10538    | 93NH-3011-AB   | Axle, Front Center                    | 1         |
| 33   | ESL10540    | 93NH-3008-AB   | Axle, Front RH                        | 1         |
| 34   | ESL12698    | 12-30150-AA    | Spindle Assembly, Front Wheel RH      | 1         |
| 35   | ESL10551    | 90NH-3N052-BA  | Sleeve Front Axle Center Trunion      | 1         |
| 36   | ESL11680    | 93NH-3A070-AA  | Washer, Thrust, Axle Pin              | 1         |
| 37   | ESL10558    | 92NH-3N071-AA  | Shim, Front Axle Pin (NI)             | AR        |
| -    | ESL10559    | 92NH-3N071-BA  | Shim, Front Axle Pin (NI)             | AR        |
| -    | ESL12415    | 82835070       | Shim, Front Axle Pin (NI)             | AR        |
| 38   | ESL10554    | 90NH-3N052-AA  | Bush, Front Axle Trunion Retainer     | 1         |

**AXLE & STEERING PARTS**



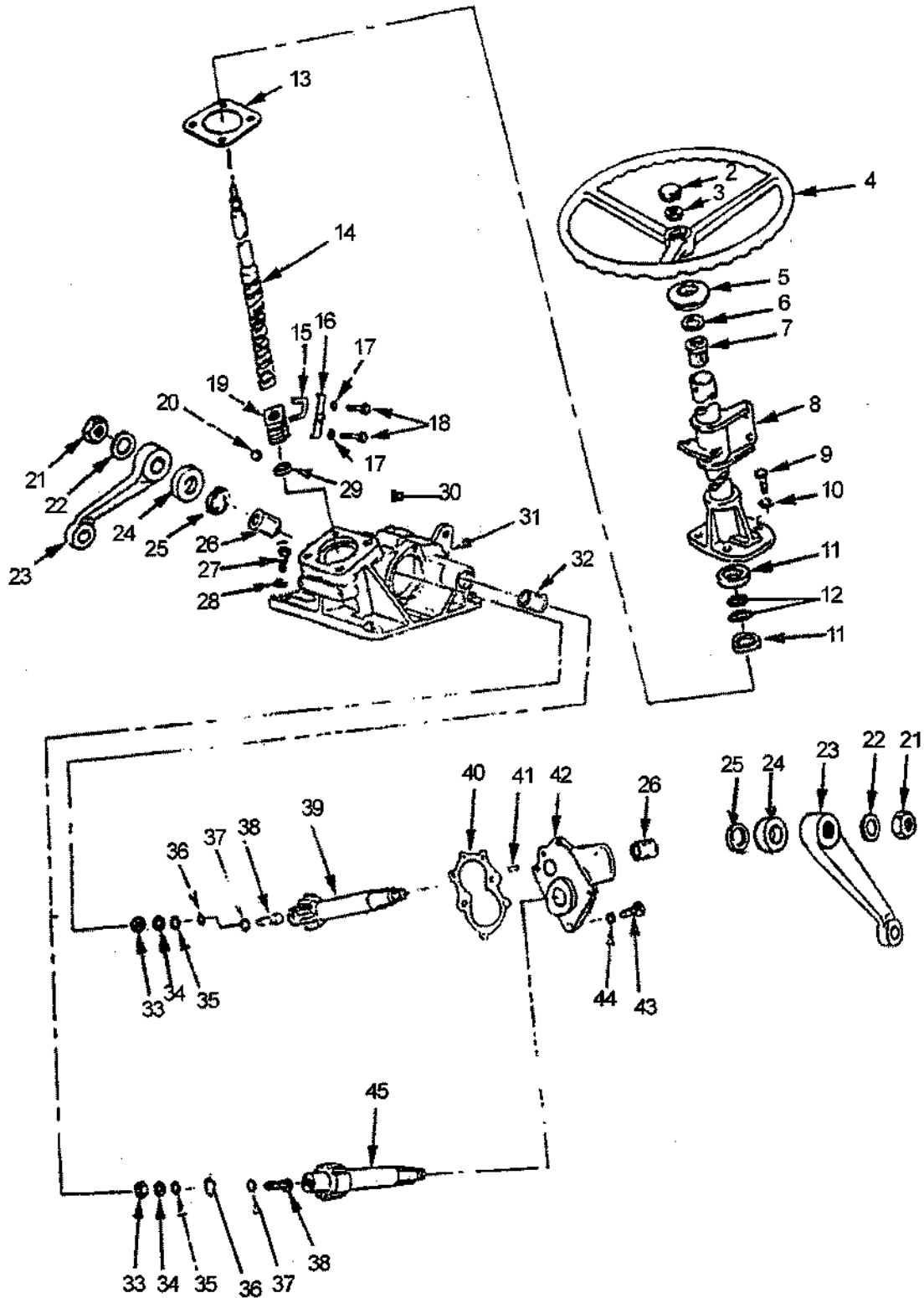
AXLE & STEERING PARTS

5A:5

Ⓢ - INDICATES SERVICE SERIAL NUMBER BREAKS,

Ⓛ - INDICATES UP TO AND INCLUDING THAT SERIAL NUMBER

| <b>ITEM</b> | <b>LONG #</b> | <b>VENDOR #</b> | <b>DESCRIPTION</b>                      | <b>QTY.</b> |
|-------------|---------------|-----------------|---|-------------|
|             |               |                 |   | <b>35</b>   |
| 39          | ESL10556      | 93NH-3N051-AA   | Bracket, Front Axle Trunion             | 1           |
| 40          | ESL11752      | 90NH-3N766-AA   | Bolt, Bracket Front axle Trunion        | 4           |
| 41          | 377490-S8     | 377490-S76      | Washer, Flat (1/2)                      | 4           |
| 42          | 87901-S8      | 87901-S36       | Grease Nipple (1/8-27)                  | 3           |
| 43          | ESL10557      | 93NH-3054-AA    | Plug & Nut Assembly, Axle Trunion       | 1           |
| 44          | 87650-S8      | 87650-S36       | Screw Plug (1/8-27)                     | 1           |
| 45          | 304962-S8     | 304962-S36      | Bolt, Hex Head                          | 4           |
| 46          | ESL10543      | 93NH-351505-AA  | Spacer, Front Axle                      | 4           |
| 47          | 33849-S8      | 33849-S36       | Nut, Hex (5/8-11)                       | 4           |
| 48          | ESL10567      | SPF.996.000     | Spindle Bush Set (2 each Upper & Lower) | 1           |
| 49          | ESL10541      | 93NH-3009-AB    | Axle, Front LH                          | 1           |
| 50          | ESL10547      | C5NN-3125-A     | Seal, Spindle Pin Dust                  | 2           |
| 51          | ESL10563      | 93NH-3A125-AA   | Seal Dust Cover, Upper                  | 2           |
| 52          | ESL10561      | 93NH-3A208-AA   | Seal Upper, Spindle                     | 2           |
| 53          | ESL10544      | 90NH-3123-AA    | Bearing Assembly Front Wheel Spindle    | 2           |
| 54          | ESL10560      | 93NH-3A208-BA   | Seal Lower, Spindle                     | 2           |
| 55          | ESL10565      | 93NH-3367-AA    | Seal, Spindle Front                     | 2           |
| 56          | ESL10564      | 93NH-3A367-AA   | Spacer, Spindle Front                   | 2           |
| 57          | ESL10562      | 93NH-3A125-DA   | Seal Dust Cover, Lower                  | 2           |
| 58          | ESL12699      | 12-30160-AA     | Spindle Assembly, Front Wheel LH        | 1           |
| 59          | ESL13304      | 74181-S         | Key, Woodruff (1/4*7/8)                 | 2           |



STEERING GEAR ASSEMBLY

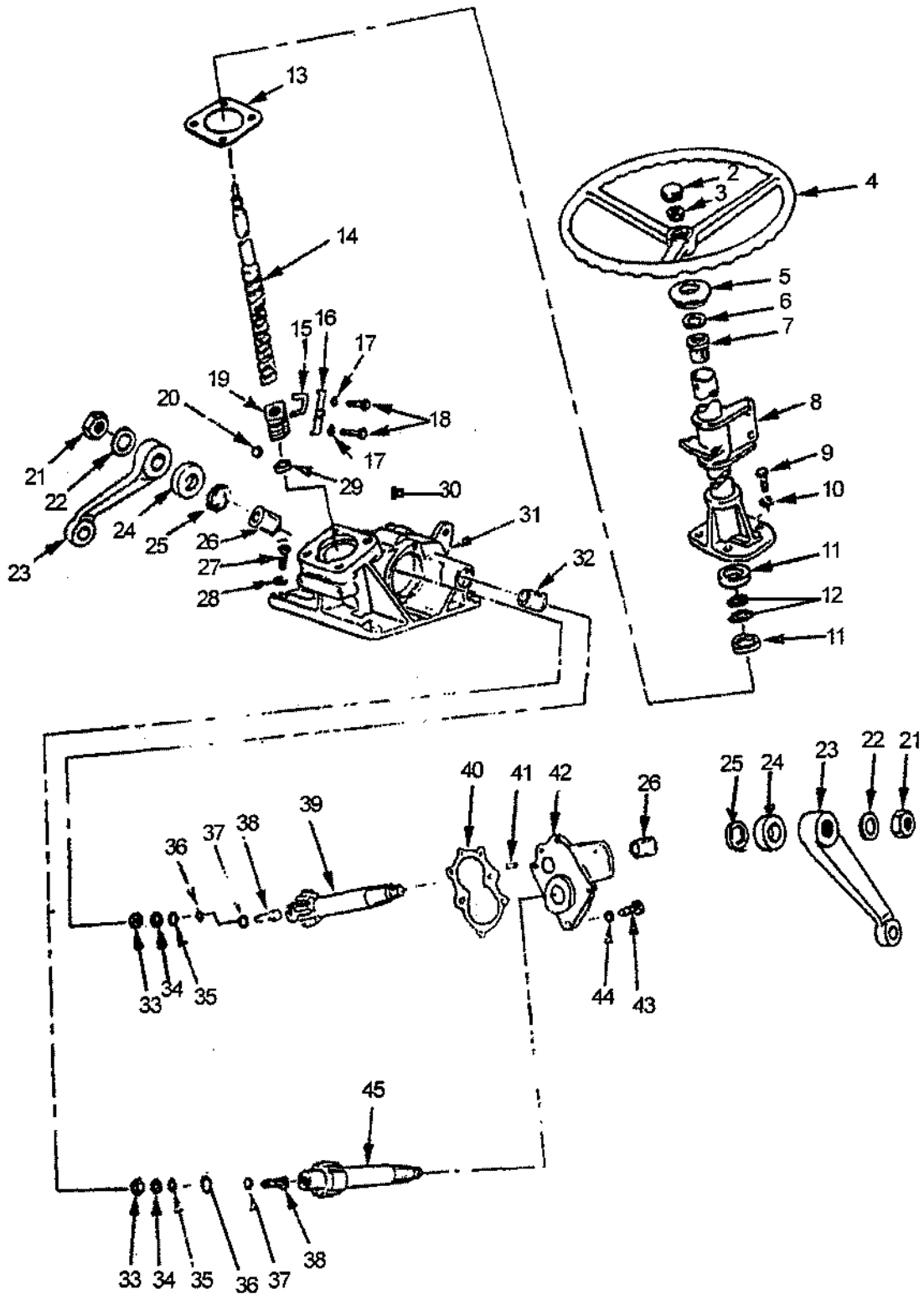
5A:7

Ⓢ - INDICATES SERVICE SERIAL NUMBER BREAKS,

✓ - INDICATES UP TO AND INCLUDING THAT SERIAL NUMBER

| <i>ITEM</i> | <i>LONG #</i> | <i>VENDOR #</i> | <i>DESCRIPTION</i>  | <i>QTY.</i> |
|-------------|---------------|-----------------|---|-------------|
|             |               |                 |   | <b>35</b>   |
| 1           | ESL10600      | 92NH-3503-AA    | Steering Gear Assembly  | 1           |
| -           | -             | -               | Housing Assembly, Steering Gear (NSS)                         | 1           |
| 2           | ESL10597      | C7NN-3655-B     | Cap, Steering Wheel Hub                                       | 1           |
| 3           | ESL11796      | D5NN-3N602-A    | Nut, Steering Wheel Retainer                                  | 1           |
| 4           | ESL10596      | 90NH-3600-AA    | Wheel Assembly, Steering                                      | 1           |
| 5           | ESL12422      | 11-33566-AA     | Grommet, Steering Column Shroud                               | 1           |
| 6           | ESL10599      | D8NN-3N898-AA   | Seal, Steering Column Dust                                    | 1           |
| 7           | ESL10576      | 80NH-3517-AA    | Bush Assembly, Steering Column                                | 1           |
| 8           | ESL10577      | 82835345        | Column Assembly, Steering Gear                                | 1           |
| 9           | ESL14578      | 80NH-3N883-AA   | Bolt Column Assembly to Housing (M10x30M)                     | 1           |
| 10          | ESL10578      | 80NH-3N951-AA   | Washer Spring, Column to Housing                              | 4           |
| 11          | ESL10571      | 80NH-3552-AA    | Adjuster Ball Race, Steering Column                           | 2           |
| 12          | ESL10572      | 80NH-3647-BA    | Steel Ball, Steering Column (3/8")                            | 22          |
| 13          | ESL10580      | 80NH-3595-AA    | Shim, (0.050mm)   | AR          |
| -           | ESL10581      | 80NH-3595-BA    | Shim (0.127mm)  | AR          |
| -           | ESL10582      | 80NH-3595-CA    | Shim (0.250mm)  | AR          |
| 14          | ESL10601      | 80NH-3A710-AA   | Main Nut & Shaft Assembly, Steering<br>(Includes Item #15-20) | 1           |
| 15          | -             | -               | Transfer Tube, Main Nut (NSS)                                 | 2           |
| 16          | -             | -               | Retainer Strap, Main Nut (NSS)                                | 1           |
| 17          | -             | -               | Lock Washer (NSS)   | 2           |
| 18          | -             | -               | Bolt, Retainer Strap (NSS)                                    | 2           |
| 19          | -             | -               | Main Nut, Steering Column (NSS)                               | 1           |
| -           | ESL10579      | 80NH-3593-AA    | Washer, Joint (NI)  |             |
| 20          | ESL10574      | 80NH-3647-AA    | Steel Ball, Steering Column (9/32")                           | 62          |
| 21          | 34694-S8      | 34694-S36       | Nut, Hex (7/8-14)   | 2           |
| 22          | 34814-S8      | 34814-S36       | Washer, Lock (7/8)  | 2           |
| 23          | ESL12230      | C5NN-3590-F     | Arm, Steering Gear  | 2           |
| 24          | ESL10587      | C5NN-3586-A     | Seal, Steering Rocker Shaft (Felt)                            | AR          |
| 25          | ESL10586      | 80NH-3C615-AA   | Seal, Steering Pitman Shaft                                   | 2           |
| 26          | -             | -               | Bush, Rocker Shaft Outer (NSS)                                | 2           |
| 27          | ESL11751      | C5NN-3C765-A    | Nolt, Steering Case   | 3           |
| -           | ESL14579      | 90NH-3C765-A    | Bolt, Breather  | 1           |
| 28          | 34809-S8      | 30809-S36       | Washer, Lock (1/2)  | 4           |
| 29          | ESL10575      | 80NH-3772-AA    | Inner Ball Race, Main Nut                                     | 1           |
| 30          | ESL10570      | 80NH-3N531-AA   | Oil Plug, Steering Oil Level                                  | 1           |
| 31          | ESL10602      | 82NH-3548-AA    | Housing Assembly, Steering<br>(Includes Items #26, 32,42)     | 1           |
| 32          | -             | -               | Bush, Rocker Shaft Inner (NSS)                                | 2           |
| 33          | ESL11795      | 82NH-3N949-AA   | Lock Nut, Adjusting Screw                                     | 2           |

**STEERING GEAR ASSEMBLY**

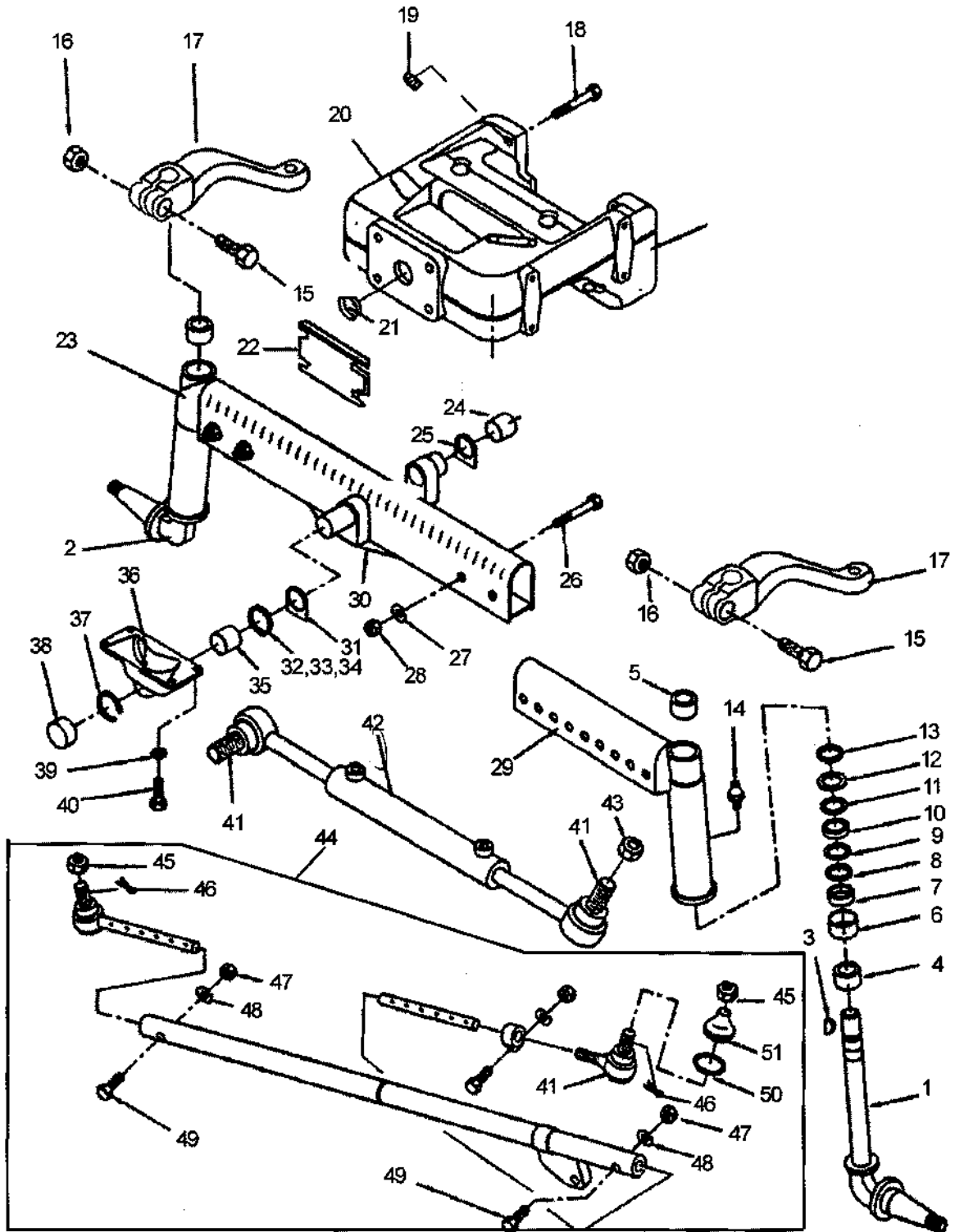


**STEERING GEAR ASSEMBLY**

**5A:9**

**(S)** - INDICATES SERVICE SERIAL NUMBER BREAKS, **(L)** - INDICATES UP TO AND INCLUDING THAT SERIAL NUMBER

| <i>ITEM</i> | <i>LONG #</i> | <i>VENDOR #</i> | <i>DESCRIPTION</i>            | <i>QTY.</i> |
|-------------|---------------|-----------------|-------------------------------|-------------|
|             |               |                 |                               | <b>35</b>   |
| 34          | ESL10585      | 80NH-3N947-AA   | Circlip, Rocker Shaft         | 2           |
| 35          | ESL10593      | 80NH-3N946-AA   | Circlip, Adjusting Screw      | 2           |
| 36          | ESL10588      | 80NH-3N952-AA   | Shim, Adjusting Screw (0.002) | AR          |
| -           | ESL10589      | 80NH-3N952-BA   | Shim, Adjusting (0.003)       | AR          |
| -           | ESL10590      | 80NH-3N952-CA   | Shim, Adjusting Acrew (0.004) | AR          |
| -           | ESL10591      | 80NH-3N952-DA   | Shim, Adjusting Screw         | 2           |
| 37          | ESL11795      | 82NH-3N948-AA   | Spacer, Adjusting Screw       | 2           |
| 38          | ESL11863      | 82NH-3C539-AA   | Adjusting Screw               | 2           |
| 39          | ESL10584      | 82NH-3N575-AA   | Shaft, Rocker Secondary       | 1           |
| 40          | ESL10574      | 80NH-3581-AA    | Gasket, Side Cover to Housing | 1           |
| 41          | ESL10573      | 80NH-3N942-AA   | Dowel, Cover Plate to Housing | 1           |
| 42          | -             | -               | Cover Plate, Housing (NSS)    | 1           |
| 43          | ESL11750      | 80NH-3N950-AA   | Bolt, side Cover to Housing   | 6           |
| 44          | N-630173-S8   | N-630173-S36    | Spring Washer (M8)            | 6           |
| 45          | ESL10583      | 82NH-3N576-AA   | Shaft, Rocker Primary         | 1           |



AXLE & STEERING PARTS - HYDROSTATIC



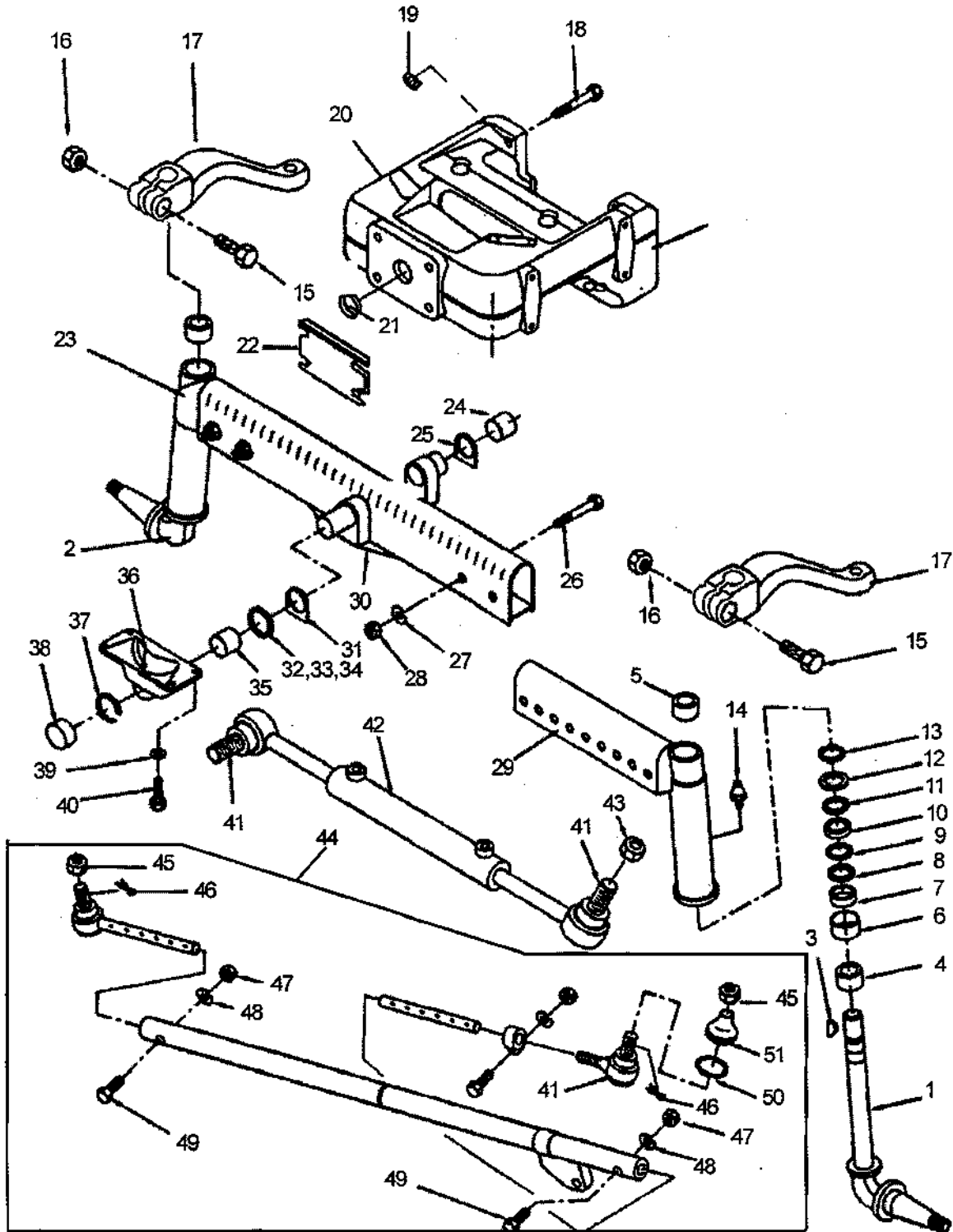


| ITEM | LONG #     | VENDOR #       | DESCRIPTION                           | QTY. |    |
|------|------------|----------------|---------------------------------------|------|----|
|      |            |                |                                       | 45   | 60 |
| 1    | Ⓢ ESL12699 | 25-30160-AA    | Spindle Assembly, LH                  | 1    | 1  |
| 2    | Ⓢ ESL12698 | 25-30150-AA    | Spindle Assembly, RH                  | 1    | 1  |
| 3    | ESL13304   | 74181-S        | Key, Woodruff (1/4x7/8)               | 2    | 2  |
| 4-5  | ESL10567   | SPF.996.000    | Spindle, Bush Set                     | 1    | 1  |
| 6    | ESL10562   | 93NH-3A125-DA  | Seal Dust Cover, Lower                | 2    | 2  |
| 7    | ESL10564   | 93NH-3A367-AA  | Spacer, Spindle Front                 | 2    | 2  |
| 8    | ESL10565   | 93NH-3367-AA   | Seal, Spindle Front                   | 2    | 2  |
| 9    | ESL10560   | 93NH-3A208-BA  | Seal, Spindle, Lower                  | 2    | 2  |
| 10   | ESL13303   | 957E-3123-A    | Bearing Assembly, Front Wheel Spindle | 2    | 2  |
| 11   | ESL10561   | 93NH-3A208-AA  | Seal Upper, Spindle                   | 2    | 2  |
| 12   | ESL10563   | 93NH-3A125-AA  | Seal Dust Cover, Upper                | 2    | 2  |
| 13   | ESL10547   | C5NN-3125-A    | Seal, Spindle Pin Dust                | 2    | 2  |
| 14   | ESL10542   | 87901-S36      | Grease Nipple (1/8-27)                | 2    | 2  |
| 15   | 304862-S8  | 304862-S36     | Bolt, Hex Head (7/16-14x2.25)         | 2    | 2  |
| 16   | 34670-S8   | 34670-S36      | Nut, Hex (7/16-14)                    | 2    | 2  |
| 17   | ESL10610   | 82835375       | Arm, Steering Spindle                 | 2    | 2  |
| 18   | 304964-S8  | 304964-S36     | Bolt, Hex Head (3/4-10x4.00)          | 4    | 4  |
| 19   | 34674-S8   | 34674-S36      | Nut, Hex Head(3/4-10)                 | 4    | 4  |
| 20   | ESL10605   | E9NN-3A042-AB  | Support, Front Axle                   | 1    | 1  |
| 21   | ESL10058   | 82835297       | Plug, Dust Cover Front Axle Support   | 1    | 1  |
| 22   | ESL13678   | 906043         | Front Weight Spacer (Optional)        | 1    | 1  |
| 23   | Ⓢ ESL11949 | 11-30060-AB    | Front Axle Extension, RH              | 1    | 1  |
| 24   | ESL10611   | C5NN-3A443-A   | Bush, Front Axle, Rear                | 1    | 1  |
| 25   | ESL11681   | C5NN-3A072-A   | Washer Thrust, Rear                   | 1    | 1  |
| 26   | 304962-S8  | 304962-S36     | Bolt, Hex Head (5/8"-11)              | 4    | 4  |
| 27   | ESL10543   | 93NH-351505-AA | Spacer, Front Axle                    | 4    | 4  |
| 28   | 33849-S8   | 33849-S36      | Nut, Hex (5/8"-11)                    | 4    | 4  |
| 29   | Ⓢ ESL11950 | 11-30070-AB    | Front Axle Extension, LH              | 1    | 1  |
| 30   | Ⓢ ESL11944 | 11-30011-AC    | Axle Assembly, Front Center           | 1    | 1  |
| 31   | ESL11682   | C5NN-3A070-A   | Washer, Thrust, Front                 | 1    | 1  |
| 32   | ESL10615   | C5NN-3N071-A   | Shim                                  | AR   | AR |
| 33   | ESL10616   | C5NN-3N071-B   | Shim                                  | AR   | AR |
| 34   | ESL10614   | C5NN-3N071-C   | Shim                                  | AR   | AR |
| 35   | ESL10612   | C5NN-3N052-A   | Bush, Front Axle, Front               | 1    | 1  |
| 36   | ESL10606   | 11-30051-AA    | Bracket FA Trunion, Front             | 1    | 1  |
| 37   | ESL10617   | 11-30053-AA    | Circlip, Bush Retainer                | 1    | 1  |
| 38   | ESL10613   | C5NN-3N054-B   | Plug                                  | 1    | 1  |
| 39   | ESL11642   | 377490-S       | Washer, Flat (1/2)                    | 4    | 4  |
| 40   | ESL11752   | 90NH-3N766-AA  | Bolt, Hex Head (1/2 - 13x1.50)        | 4    | 4  |
| 41   | ESL10620   | 11-33289-AA    | End Assembly                          | 3    | 3  |

**AXLE & STEERING PARTS - HYDROSTATIC**

Ⓢ- INDICATES SERVICE SERIAL NUMBER BREAKS,

K- INDICATES UP TO AND INCLUDING THAT SERIAL NUMBER



AXLE & STEERING PARTS - HYDROSTATIC

5B:13

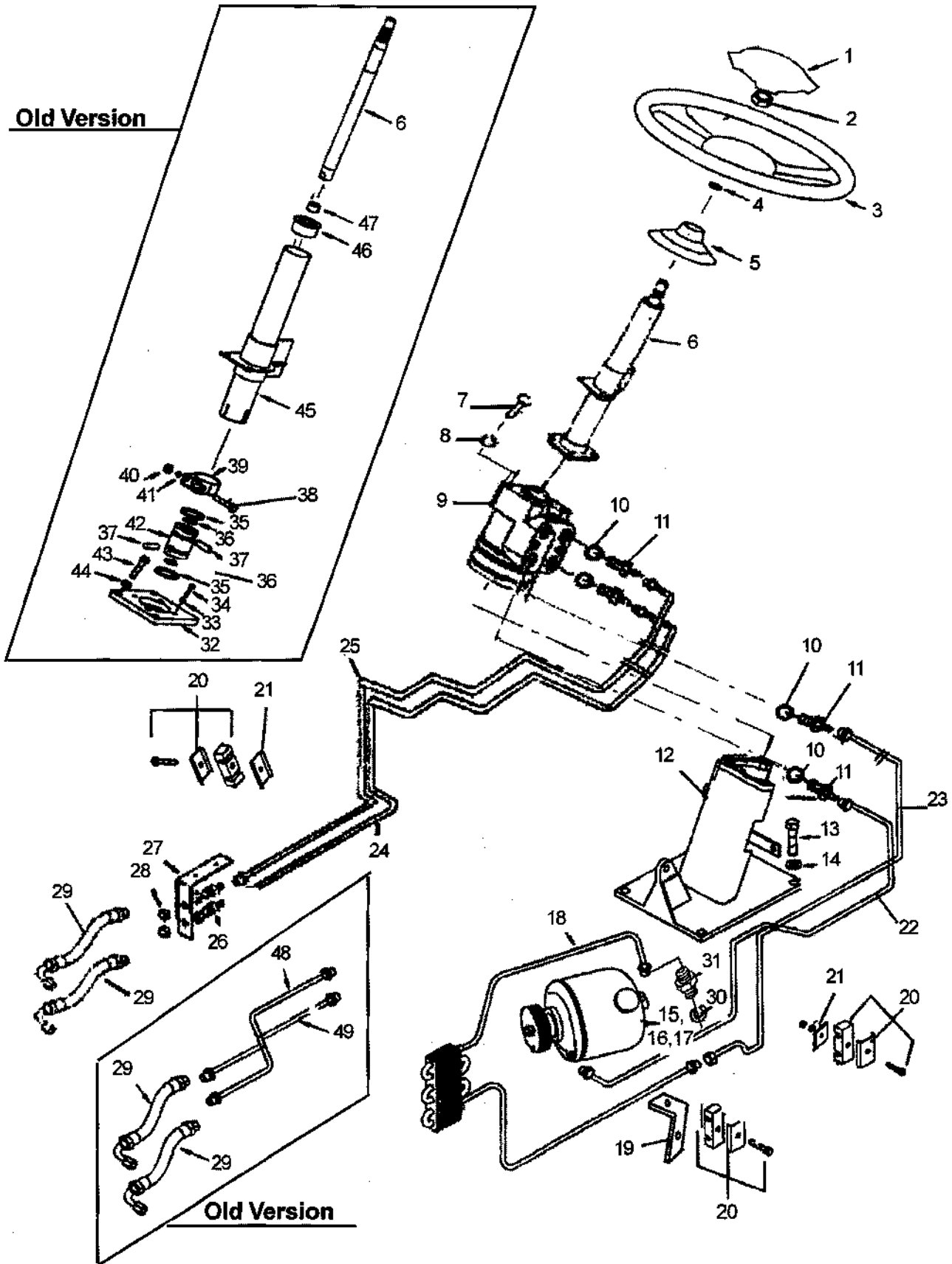
Ⓢ - INDICATES SERVICE SERIAL NUMBER BREAKS,  $\checkmark$  - INDICATES UP TO AND INCLUDING THAT SERIAL NUMBER



| ITEM | LONG #      | VENDOR #     | DESCRIPTION  | Qty. |    |
|------|-------------|--------------|--|------|----|
|      |             |              |  | 45   | 60 |
| 42   | Ⓢ ESL12713  | 11-33540-BD  | Cylinder Assembly  | 1    | 1  |
| 43   | ESL11797    | 11-33542-AA  | Nut, Lock  | 2    | 2  |
| 44   | Ⓢ ESL11951  | 11-33280-AC  | Tie Rod Assembly   | 1    | 1  |
| 45   | ESL14559    | 25-33281-AA  | Castle Nut (M14x1.5)   | 2    | 2  |
| 46   | 72035-S8    | 72035-S8     | Pin, Split   | 2    | 2  |
| 47   | N-620012-S8 | N-620012-S36 | Nut (M6)   | 2    | 2  |
| 48   | N-630067-S8 | N-630067-S36 | Washer, Flat (M6)  | 2    | 2  |
| 49   | ESL11937    | N-605515-S36 | Bolt, Hex Head (M6x1-12)   | 2    | 2  |
| 50   | ESL12236    | EXP-25001-AA | Retainer Ring, Dust Cap  | 2    | 2  |
| 51   | ESL12235    | EXP-25000-AA | Dust Cap, Tie Rod  | 2    | 2  |
| 52   | ESL14204    | SPF.718.000  | Seal Kit, Steering Cylinder<br>(Applicable only for tractors with Serial<br>Number 268327 and later) | 1    | 1  |

**Service Serial Number Breaks:**

|    |          |             |                             |          |   |   |
|----|----------|-------------|-----------------------------|----------|---|---|
| 1  | ESL12698 | 12-30150-AA | Spindle Assembly, RH        | ↳ 268326 | 1 | 1 |
| 2  | ESL12699 | 12-30160-AA | Spindle Assembly, LH        | ↳ 268326 | 1 | 1 |
| 23 | ESL10608 | 11-30060-AA | Front Axle Extension, RH    | ↳ 268326 | 1 | 1 |
| 29 | ESL10607 | 11-30070-AA | Front Axle Extension, LH    | ↳ 268326 | 1 | 1 |
| 30 | ESL10609 | 11-30011-AB | Axle Assembly, Front Center | ↳ 268326 | 1 | 1 |
| 42 | ESL10619 | 11-33540-AB | Cylinder Assembly           | ↳ 268326 | 1 | 1 |
| 44 | ESL10621 | 11-33280-BA | Tie Rod Assembly            | ↳ 268326 | 1 | 1 |

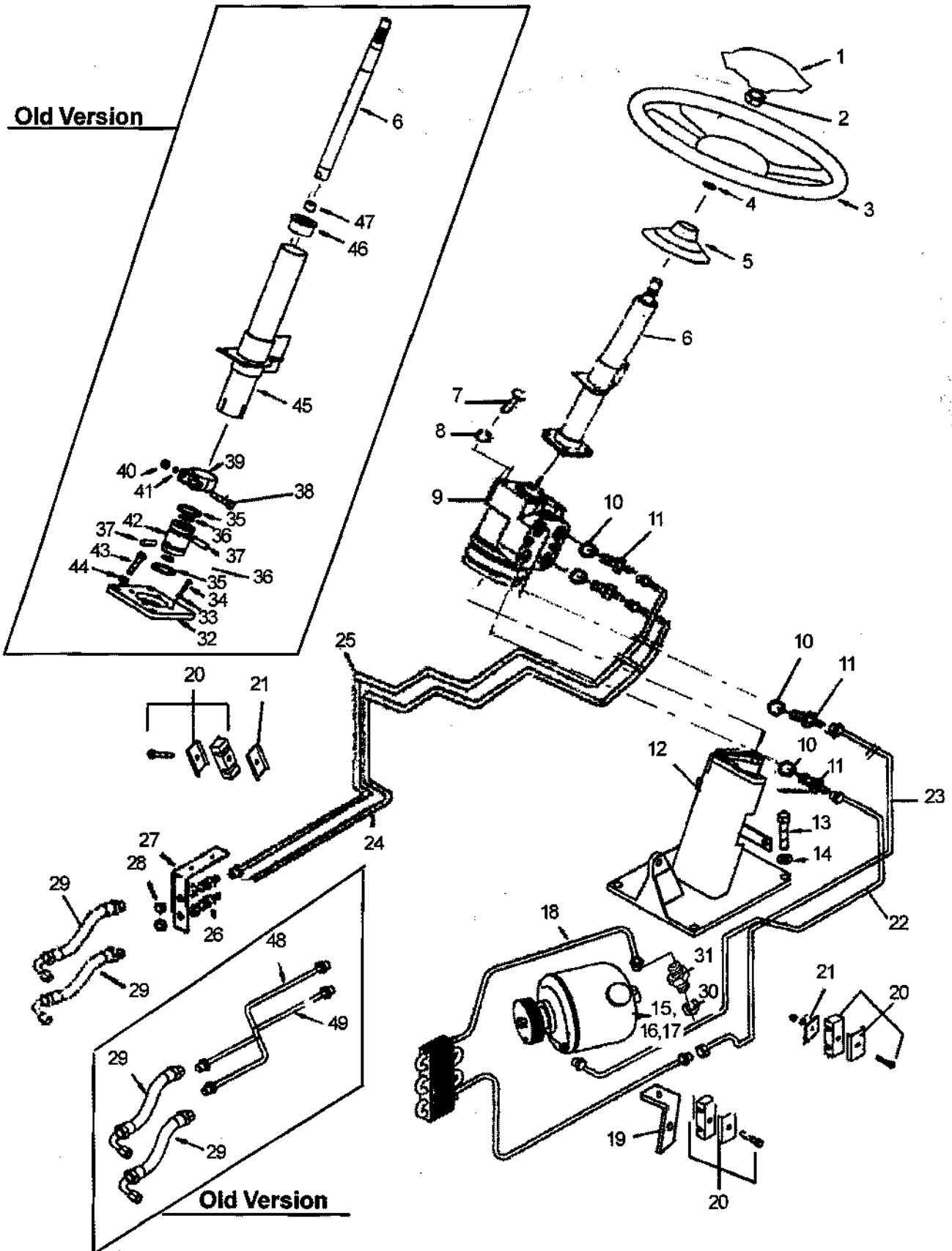


**STEERING MOTOR & PIPES - HYDROSTATIC**

| ITEM | LONG #      | VENDOR #       | DESCRIPTION                                | QTY. |    |
|------|-------------|----------------|--|------|----|
|      |             |                |  | 45   | 60 |
| 1    | ESL10650    | 11-33365-AA    | Cap, Steering Wheel                        | 1    | 1  |
| 2    | ESL11796    | D5NN-3N602-A   | Nut, Steering Wheel Retainer               | 1    | 1  |
| 3    | ESL10649    | 11-33360-AA    | Steering Wheel (Includes Item #1)          | 1    | 1  |
| 4    | ESL10599    | D8NN-3N898-AA  | Seal, Column Dust                          | 1    | 1  |
| 5    | ESL12422    | 11-33566-AA    | Grommet, Column Shroud                     | 1    | 1  |
| 6    | Ⓢ ESL14560  | 12-33520-AA    | Steering Column Assembly                   | 1    | 1  |
| 7    | N-605548-S8 | N-605548-S36   | Bolt, Hex Head (M10x1.5x40)                | 4    | 4  |
| 8    | N-630174-S8 | N-630174-S36   | Washer, Lock (M10)                         | 4    | 4  |
| 9    | Ⓢ ESL12501  | 13-33240-AA    | Motor Assembly, Steering                   | 1    | 1  |
| 10   | Ⓢ ESL10021  | 86483-S95      | 'O'Ring                                    | 4    | 4  |
| 11   | Ⓢ ESL12507  | 12-33532-AA    | Adapter, Steering Motor                    | 4    | 4  |
| 12   | Ⓢ ESL14561  | 12-33529-AA    | Bracket Assembly                           | 1    | 1  |
| 13   | ESL11751    | C5NN-3C765-A   | Bolt                                       | 4    | 4  |
| 14   | ESL12018    | 34809-S36      | Washer, Lock (1/2)                         | 4    | 4  |
| 15   | ESL10622    | 12-33514-AA    | Pump Assembly, Steering                    | 1    | 1  |
| 16   | 904916      | -              | Cap, Pump Assembly                         | 1    | 1  |
| 17   | 83936985    | EDPN3K758-A    | Filter, Pump Assembly                      | 1    | 1  |
| 18   | Ⓢ ESL12490  | 12-33420-AA    | Tube Assembly, Cooler to Pump              | 1    | 1  |
| 19   | Ⓢ ESL12520  | 13-33585-AA    | Bracket, Hydrostatic Steering Tube, LH     | 1    | 1  |
| 20   | Ⓢ ESL12731  | 25-33586-AA    | Clamp Assembly                             | 2    | 2  |
| 21   | ESL12523    | 13-33562-AA    | Bracket, Tube Holding, LH                  | 2    | 2  |
| 22   | Ⓢ ESL12491  | 12-33400-BA    | Tube, Pump to Gear                         | 1    | 1  |
| 23   | Ⓢ ESL12492  | 12-33410-BA    | Tube Assembly, Gear to Cooler              | 1    | 1  |
| 24   | Ⓢ ESL12493  | 13-33430-AA    | Tube Assembly, Gear to Adapter, Right Turn | 1    | 1  |
| 25   | Ⓢ ESL12494  | 13-33450-AA    | Tube Assembly, Gear to Adapter, Left Turn  | 1    | 1  |
| 26   | ESL10648    | 86196-S36      | Adapter                                    | 2    | 2  |
| 27   | Ⓢ ESL14563  | 12-33546-AA    | Bracket, Hose to Sump, RH                  | 1    | 1  |
| 28   | ESL13685    | 90NH-354228-AA | Nut, Hex (9/16-18)                         | 2    | 2  |
| 29   | ESL10645    | 11-33590-BA    | Hose Assembly, Cylinder                    | 2    | 2  |
| 30   | ESL14562    | 11-33535-BA    | 'O'Ring                                    | 1    | 1  |
| 31   | ESL12423    | 11-33532-AA    | Adaptor (9/16)                             | 1    | 1  |

**Service Serial Number Breaks:**

|    |          |             |                                      |          |   |   |
|----|----------|-------------|--------------------------------------|----------|---|---|
| 6  | ESL10635 | 11-33520-AB | Shaft & Steering Column Assembly     | ↳ 289202 | - | 1 |
| 9  | ESL10623 | 12-33240-AA | Motor Assembly, Hydrostatic Steering | ↳ 289202 | - | 1 |
| 10 | ESL10624 | 11-33535-AA | 'O'Ring                              | ↳ 289202 | - | 4 |
| 11 | ESL12423 | 11-33532-AA | Adapter (9/16)                       | ↳ 289202 | - | 4 |
| 12 | ESL10625 | 11-33529-AB | Bracket Assembly                     | ↳ 289202 | - | 1 |



STEERING MOTOR & PIPES - HYDROSTATIC

| ITEM | LONG #      | VENDOR #     | DESCRIPTION                        |          | QTY. |    |
|------|-------------|--------------|------------------------------------|----------|------|----|
|      |             |              |                                    |          | 45   | 60 |
| 18   | ESL10638    | 11-33420-AA  | Tube Assembly, Cooler To Pump      | ✓ 289202 | -    | 1  |
| 19   | ESL10647    | 11-33585-AA  | Bracket, Hydrostatic Steering Tube | ✓ 289202 | -    | 1  |
| 20   | ESL10636    | 11-33589-AA  | Bracket, Hydrostatic Steering Tube | ✓ 289202 | -    | 5  |
| -    | ESL10637    | 11-33565-AA  | Rubber Pad, Hydraulic              | ✓ 289202 | -    | 3  |
| -    | N-600112-S8 | N-600112-S36 | Bolt (M6x1x35)                     | ✓ 289202 | -    | 3  |
| -    | N-630067-S8 | N-630067-S36 | Washer, Spring (M6)                | ✓ 289202 | -    | 3  |
| -    | N-630012-S8 | N-620012-S36 | Nut (M6)                           | ✓ 289202 | -    | 3  |
| 22   | ESL10639    | 11-33400-AA  | Tube Assembly, Pump to Gear        | ✓ 252829 | -    | 1  |
| -    | ESL12237    | 11-33400-AB  | Tube Assembly, Pump to Gear        | ✓ 289202 | -    | 1  |
| 23   | ESL10640    | 11-33410-AA  | Tube Assembly, Gear to Cooler      | ✓ 289202 | -    | 1  |
| -    | ESL12238    | 11-33410-AB  | Tube Assembly, Gear to Cooler      | ✓ 289202 | -    | 1  |
| 24   | ESL10641    | 11-33430-AA  | Tube Assembly, Gear to Adapter, RT | ✓ 252829 | -    | 1  |
| -    | ESL12239    | 11-33430-AB  | Tube Assembly, Gear to Adapter, RT | ✓ 289202 | -    | 1  |
| 25   | ESL10643    | 11-33450-AA  | Tube Assembly, Gear to Adapter, LT | ✓ 252829 | -    | 1  |
| -    | ESL12240    | 11-33450-AB  | Tube Assembly, Gear to Adapter, LT | ✓ 289202 | -    | 1  |
| 27   | ESL10646    | 11-33546-AA  | Bracket, Hose to Sump, RH          | ✓ 268326 | -    | 1  |
| -    | ESL11947    | 11-33546-AB  | Bracket, Hose to Sump, RH          | ✓ 289202 | -    | 1  |
| -    | ESL11946    | 11-33440-BB  | Tube Assembly, Adapter to Hose, RT | ✓ 289202 | -    | 1  |
| 32   | ESL10626    | 11-33528-AA  | Plate, Gear Mounting               | ✓ 289202 | -    | 1  |
| 33   | 34791-S8    | 34791-S36    | Washer (5/16)                      | ✓ 289202 | -    | 4  |
| 34   | 304648-S8   | 304648-S36   | Bolt, UNC (5/16-18)                | ✓ 289202 | -    | 4  |
| 35   | ESL10632    | 11-33244-AA  | Retaining Ring                     | ✓ 289202 | -    | 2  |
| 36   | ESL10630    | 11-33247-AA  | 'O'Ring                            | ✓ 289202 | -    | 2  |
| 37   | ESL10631    | 11-33241-AA  | Pin                                | ✓ 289202 | -    | 2  |
| 38   | ESL11753    | 11-33338-AA  | Bolt (M8x60)                       | ✓ 289202 | -    | 1  |
| 39   | ESL10628    | 11-33243-AA  | Clamp                              | ✓ 289202 | -    | 1  |
| 40   | ESL11798    | 11-33341-AA  | Nut (M8)                           | ✓ 289202 | -    | 1  |
| 41   | ESL11864    | 11-33339-AA  | Spring Washer                      | ✓ 289202 | -    | 1  |
| 42   | ESL10629    | 11-33245-AA  | Coupling                           | ✓ 289202 | -    | 1  |
| 43   | ESL11683    | 11-33538-AA  | Bolt (M10x1.5-25)                  | ✓ 289202 | -    | 3  |
| 44   | ESL12419    | 11-33537-AA  | Washer (M10)                       | ✓ 289202 | -    | 4  |
| 45   | ESL10627    | 11-33334-AA  | Outer Tube & Bracket Assembly      | ✓ 289202 | -    | 1  |
| 46   | ESL10633    | 11-33527-AA  | Wheel End (Rubber)                 | ✓ 289202 | -    | 1  |
| 47   | ESL10634    | 11-33242-AA  | Bush Column Assembly               | ✓ 289202 | -    | 1  |
| 48   | ESL10644    | 11-33460-AA  | Tube Assembly, Adapter to Hose, LT | ✓ 268326 | -    | 1  |
| -    | ESL11945    | 11-33460-BB  | Tube Assembly, Adapter to Hose, LT | ✓ 289202 | -    | 1  |
| 49   | ESL10642    | 11-33440-AA  | Tube Assembly, Adapter to Hose, RT | ✓ 268326 | -    | 1  |

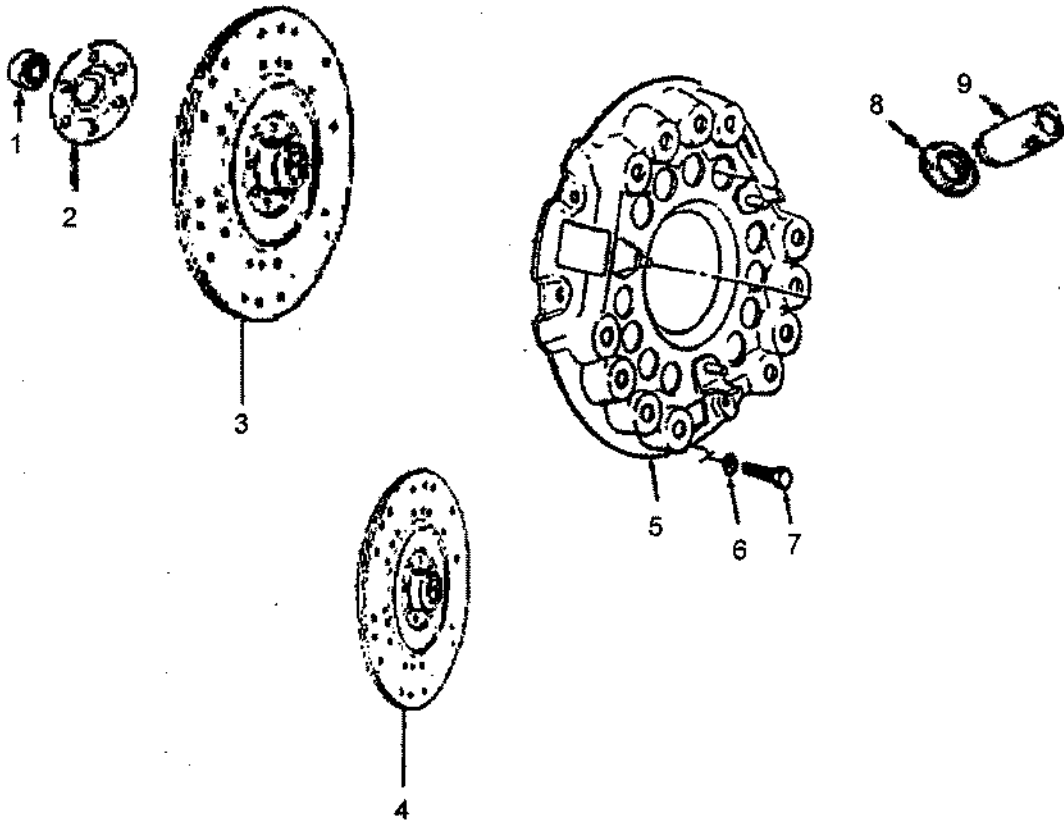
NOTE: Item #30-47 are used only on old version tractors up to serial Number #289202

---

# Notes



# ***CLUTCH***



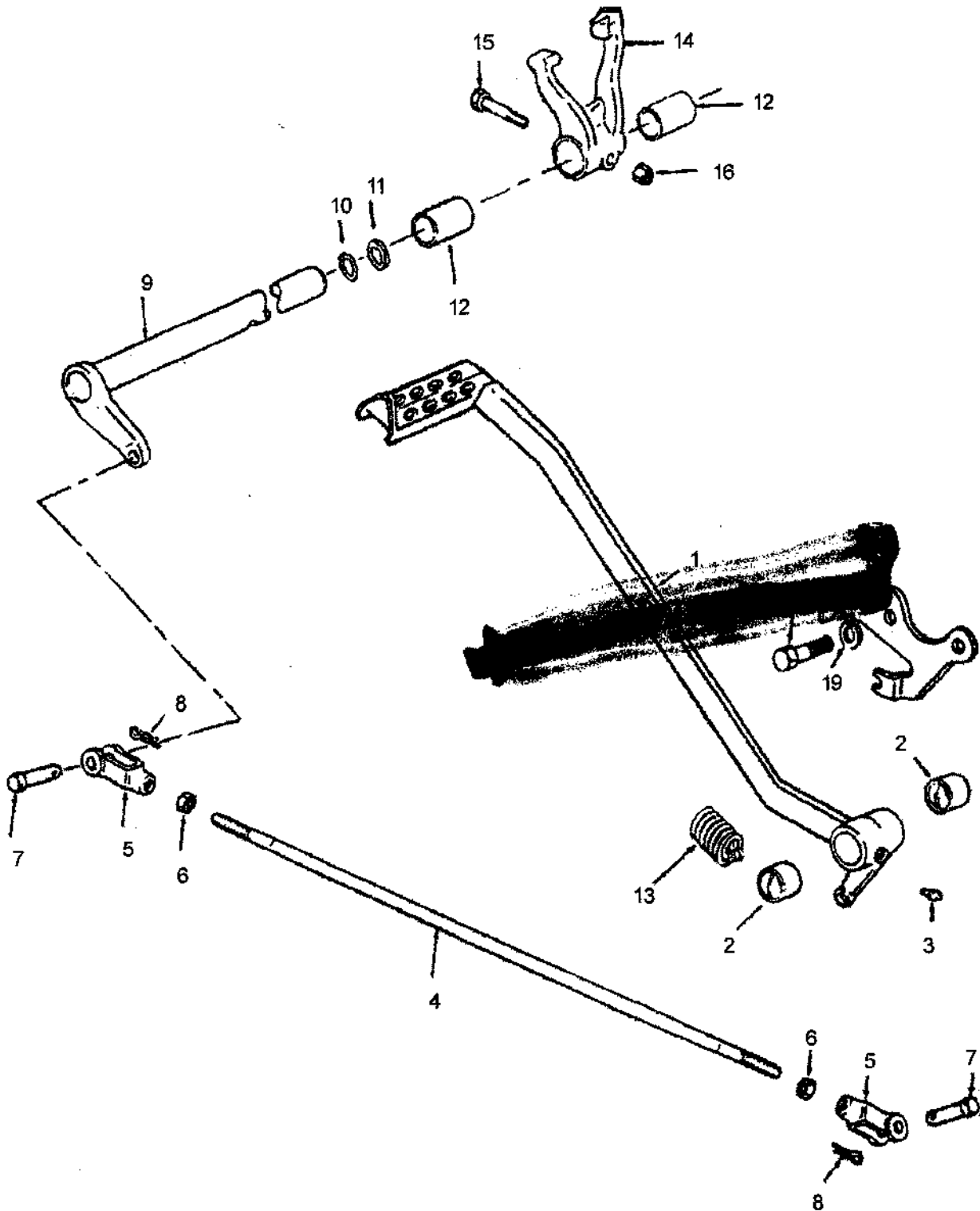
**CLUTCH ASSEMBLY (DOUBLE PLATE; LIVE PTO)**

**35/45/60**

| ITEM | LONG #      | VENDOR #     | DESCRIPTION   | QTY. |    |    |
|------|-------------|--------------|---|------|----|----|
|      |             |              |   | 35   | 45 | 60 |
| 1    | ESL10692    | C5NN-7600-A  | Bearing, Clutch Pilot                                 | 1    | 1  | 1  |
| 2    | ESL10693    | C5NN-7609-B  | Retainer, Clutch Pilot Bearing                        | 1    | 1  | 1  |
| 3    | ESL10696    | D1NN-7550-A  | Disc Assembly, Main (11")                             | -    | 1  | 1  |
| -    | ESL14467    | 11-75550-AB  | Disc Assembly, Main (12")                             | 1    | -  | -  |
| 4    | ESL10698    | E2NN-B595-AA | Disc Assembly, PTO (8.5")                             | -    | 1  | 1  |
| -    | ESL14468    | 13-75590-AB  | Disc Assembly, PTO Clutch (11")                       | 1    | -  | -  |
| 5    | ESL14469    | 13-75500-AB  | Dual Clutch Assembly (12"x11")<br>(Includes Item #4)  | 1    | -  | -  |
| -    | ESL10716    | E0NN-7502-AB | Dual Clutch Assembly (11"x8.5")<br>(Includes item #4) | -    | 1  | 1  |
| 6    | 34806-S8    | 34806-S36    | Washer, Lock (5/16)                                   | 12   | 6  | 6  |
| 7    | ESL11754    | C5NN-7N569-A | Bolt  | -    | 6  | 6  |
| -    | N-600213-S8 | N-600213-S36 | Bolt (M8)   | 12   | -  | -  |
| 8    | ESL10695    | D8NN-7580-BB | Bearing, Clutch Release                               | 1    | 1  | 1  |
| 9    | ESL10694    | C7NN-7571-B  | Hub, Clutch Release Bearing                           | 1    | 1  | 1  |



**CLUTCH ASSEMBLY (DOUBLE PLATE; LIVE PTO)**



CLUTCH CONTROLS

| ITEM | LONG #     | VENDOR #      | DESCRIPTION  | QTY. |    |    |
|------|------------|---------------|--|------|----|----|
|      |            |               |  | 35   | 45 | 60 |
| 1    | ESL10652   | D1NN-7519-A   | Pedal Assembly, Clutch                                   | 1    | 1  | 1  |
| 2    | ESL10653   | C5NN-7A578-A  | Bush, Clutch Pedal                                       | 2    | 2  | 2  |
| 3    | ESL10654   | 87907-S8      | Grease Nipple (1/4 - 28)                                 | 1    | 1  | 1  |
| 4    | ESL10670   | 84NH-7D081-AA | Rod & Clevis Assembly, Clutch Release<br>(Includes #5&6) | 1    | 1  | 1  |
| 5    | 97013-S8   | 97013-S36     | Clevis (3/8 - 24 x 2.50)                                 | 2    | 2  | 2  |
| 6    | 33925-S8   | 33925-S36     | Nut, Hex (3/8 - 24)                                      | 2    | 2  | 2  |
| 7    | 73919-S8   | 73919-S36     | Pin, Clevis (3/8 x 1.14)                                 | 2    | 2  | 2  |
| 8    | 72017-S8   | 72017-S8      | Pin, Split (1/8 x 0.75)                                  | 2    | 2  | 2  |
| 9    | Ⓢ ESL12527 | 11-75010-AA   | Shaft, Clutch Release                                    | 1    | 1  | 1  |
| 10   | Ⓢ ESL10660 | 93NH-7R502-A  | 'O'Ring, Clutch Release Shaft                            | 1    | 1  | 1  |
| 11   | ESL11684   | 93NH-7A510-AA | Washer, Clutch Release Shaft                             | 1    | 1  | 1  |
| 12   | Ⓢ ESL10668 | SPF.983.000   | Bush Set, Clutch Release Shaft                           | 1    | 1  | 1  |
| 13   | ESL10663   | C7NN-7N598-A  | Spring, Clutch Pedal Assist                              | 1    | 1  | 1  |
| 14   | ESL10664   | C7NN-7N515-J  | Fork, Clutch Release Shaft                               | 1    | 1  | 1  |
| 15   | ESL14470   | D7NN-7N539-A  | Bolt, Hex (3/8 - 16 x 2.00)                              | 1    | 1  | 1  |
| 16   | 34987-S8   | 34987-S7      | Nut, Hex (3/8 - 16)                                      | 1    | 1  | 1  |
| 17   | ESL10666   | D1NN-7N617-D  | Bracket, Pedal Spring Rear                               | 1    | 1  | 1  |
| 18   | 304724-S8  | 304724-S36    | Bolt, Hex (7/16 - 14 x 1.25)                             | 2    | 2  | 2  |
| 19   | 34808-S8   | 34808-S36     | Washer, Lock (7/16)                                      | 2    | 2  | 2  |
| 20   | ESL10667   | NH-386949-S   | Plug   | 1    | 1  | 1  |

**Service Serial Number Breaks:**

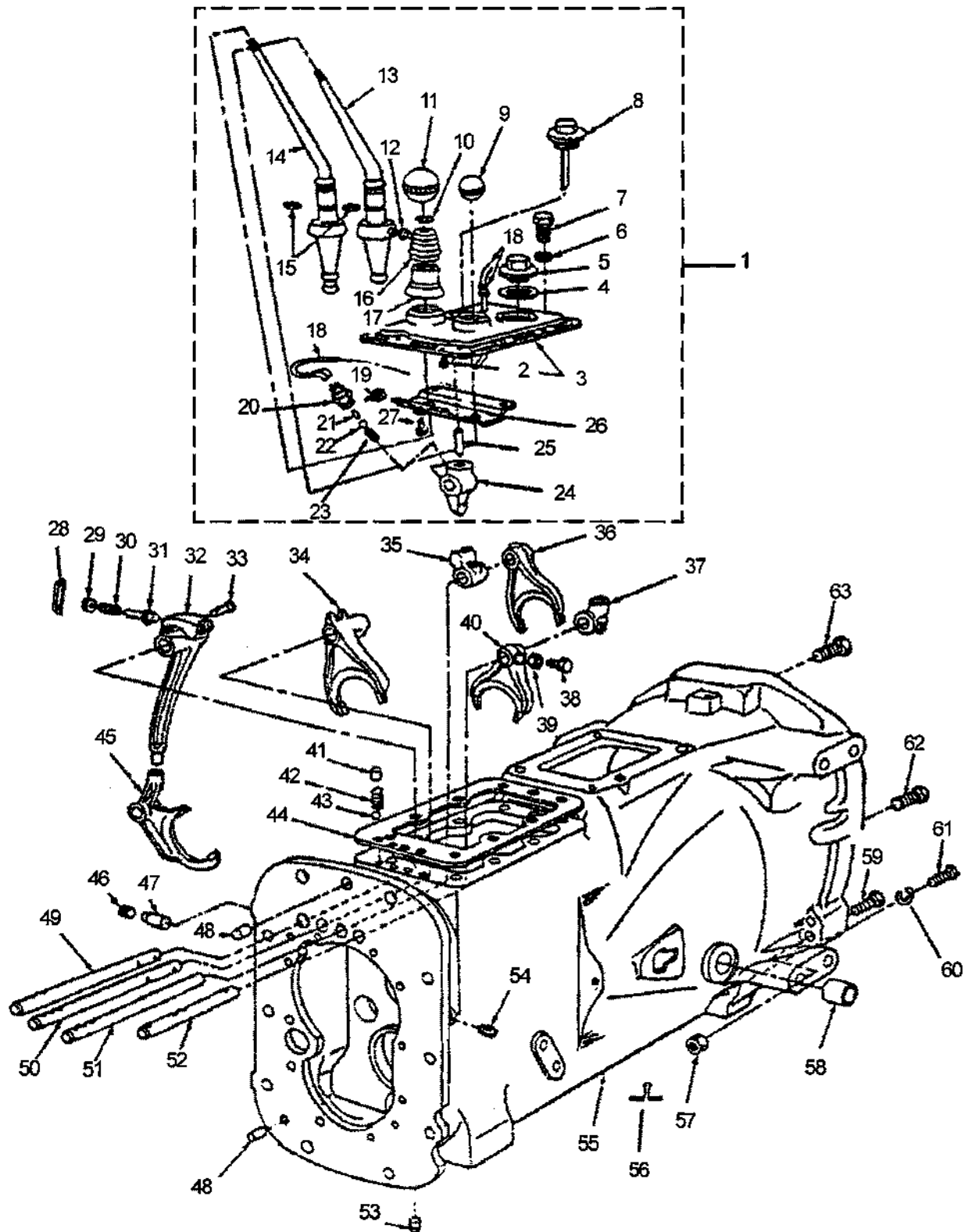
|    |          |              |                                |          |   |   |   |
|----|----------|--------------|--------------------------------|----------|---|---|---|
| 9  | ESL10657 | 78NH-7503-A  | Shaft Assembly, Clutch Release | ⌞ 177877 | - | - | 1 |
| 10 | ESL10659 | 76NH-7R502-A | 'O'Ring, Clutch Release Shaft  | ⌞ 177877 | - | - | 1 |
| 12 | ESL10661 | C5NN-7A615-A | Bush, Clutch Release Shaft     | ⌞ 177877 | - | - | 1 |

---

**Notes**

---

# GEARBOX

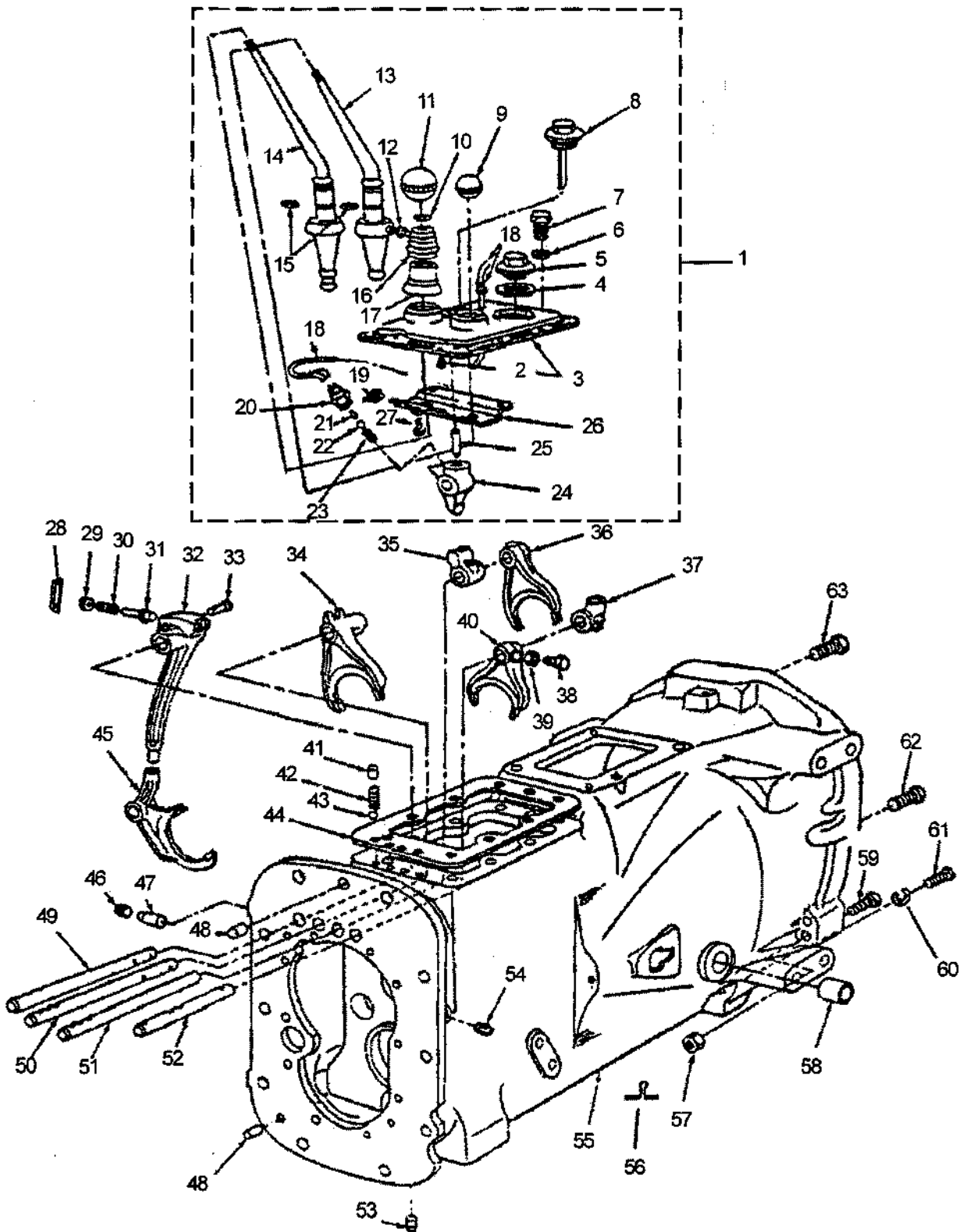


TRANSMISSION CASE & SHIFT LEVERS



| ITEM | LONG #     | VENDOR #      | DESCRIPTION                          | QTY. |    |    |
|------|------------|---------------|--------------------------------------|------|----|----|
|      |            |               |                                      | 35   | 45 | 60 |
| 1    | Ⓢ ESL12248 | 93NH-7201-AA  | Cover & Lever Assembly, Transmission | 1    | 1  | 1  |
| 2    | ESL10752   | C5NN-7N181-A  | Dowel, Case Cover                    | 1    | 1  | 1  |
| 3    | ESL10739   | 93NH-7222-AA  | Cover, Transmission Case             | 1    | 1  | 1  |
| 4    | ESL10740   | D9NN-7037-AA  | Gasket, Filler Plug                  | 1    | 1  | 1  |
| 5    | Ⓢ ESL11915 | 82835046      | Breather, Transmission Case          | 1    | 1  | 1  |
| 6    | 34807-S8   | 34807-S36     | Washer, Lock (3/8)                   | 9    | 9  | 9  |
| 7    | 304684-S8  | 304684-S36    | Bolt, Hex (3/8 - 16 x 1.00)          | 9    | 9  | 9  |
| 8    | ESL10759   | 93NH-7A020-AA | Indicator Assembly, Transmission Oil | 1    | 1  | 1  |
| 9    | ESL10903   | E440-GB-9     | Ball, High Low Gear Shift            | 1    | 1  | 1  |
| -    | ESL10749   | 91NH-7277-AA  | Rubber Boot, Gear Shift Lever (NI)   | 2    | 2  | 2  |
| 10   | ESL10747   | N-7228        | Snap Ring, Gear Shift Lever          | 2    | 2  | 2  |
| 11   | ESL10748   | C5NN-7213-A   | Ball, Main Shift Lever               | 1    | 1  | 1  |
| 12   | ESL10744   | D7NN-7C402-A  | Pin, Gear Shift Lever Socket         | 2    | 2  | 2  |
| 13   | ESL10742   | 92NH-7210-AA  | Lever, High Low Gear                 | 1    | 1  | 1  |
| 14   | ESL10741   | 92NH-7210-BA  | Lever, Main Gear                     | 1    | 1  | 1  |
| 15   | ESL10743   | 87016-S94     | 'O'Ring Seal (0.625 x 0.07)          | 2    | 2  | 2  |
| 16   | ESL10746   | C7NN-7227-A   | Spring, Gear Shift Lever             | 2    | 2  | 2  |
| 17   | ESL10745   | C5NN-7N309-A  | Retainer, Gear Shift Lever Ball      | 2    | 2  | 2  |
| 18   | ESL10757   | 91NH-7A488-AA | Harness Assembly, Transmission       | 1    | 1  | 1  |
| 19   | ESL10758   | D0NN-14N204-B | Clip, Switch Cable                   | 1    | 1  | 1  |
| 20   | ESL10753   | C7NN-7A247-A  | Switch Assembly, Transmission        | 1    | 1  | 1  |
| 21   | ESL10756   | C5NN-11467-R  | Plunger, Safety Starter Switch       | 1    | 1  | 1  |
| 22   | ESL10735   | 370924-S      | Ball (3/8)                           | 1    | 1  | 1  |
| 23   | ESL10755   | C5NN-11N003-B | Spring, Safety Starter Switch        | 1    | 1  | 1  |
| 24   | ESL10754   | C5NN-11N002-A | Retainer, Safety Starter Switch      | 1    | 1  | 1  |
| 25   | ESL10751   | C5NN-11N001-A | Pin, Safety Switch Locating          | 1    | 1  | 1  |
| 26   | ESL10750   | C5NN-7B226-L  | Stop, Gear Shift Lever               | 1    | 1  | 1  |
| 27   | 355431-S8  | 355431-S36    | Bolt, Hex Head (5/16 - 18 x 0.56)    | 4    | 4  | 4  |
| 28   | 72003-S8   | 72003-S8      | Pin, Cotter (1/16 x 0.50)            | 1    | 1  | 1  |
| 29   | ESL10726   | C5NN-7N456-A  | Retainer, Plunger Spring             | 1    | 1  | 1  |
| 30   | ESL10725   | C7NN-7N458-A  | Spring, Selector Stop Plunger        | 1    | 1  | 1  |
| 31   | ESL10724   | D7NN-7R427-A  | Plunger, Selector Stop               | 1    | 1  | 1  |
| 32   | ESL10723   | C5NN-7410-C   | Arm, Gear Shift Rocker               | 1    | 1  | 1  |
| 33   | 76237-S8   | 76237-S36     | Pin, Clevis (3/16 x 1.219)           | 1    | 1  | 1  |
| 34   | ESL10721   | C5NN-7231-S   | Fork, Gear Shift                     | 1    | 1  | 1  |
| 35   | ESL10733   | E5NN-7N103-AA | Connector, Gear Shift Lever          | 1    | 1  | 1  |
| 36   | ESL10719   | C5NN-7231-A   | Fork, Gear Shift                     | 1    | 1  | 1  |
| 37   | ESL10732   | C5NN-7279-A   | Gate, Gear Shift Lever               | 1    | 1  | 1  |
| 38   | ESL11869   | 957E-7245     | Screw Gear Shift, Fork Lock          | 6    | 6  | 6  |
| 39   | 33925-S8   | 33925-S36     | Nut, Lock Screw (3/8 - 24)           | 6    | 6  | 6  |

**TRANSMISSION CASE & SHIFT LEVERS**

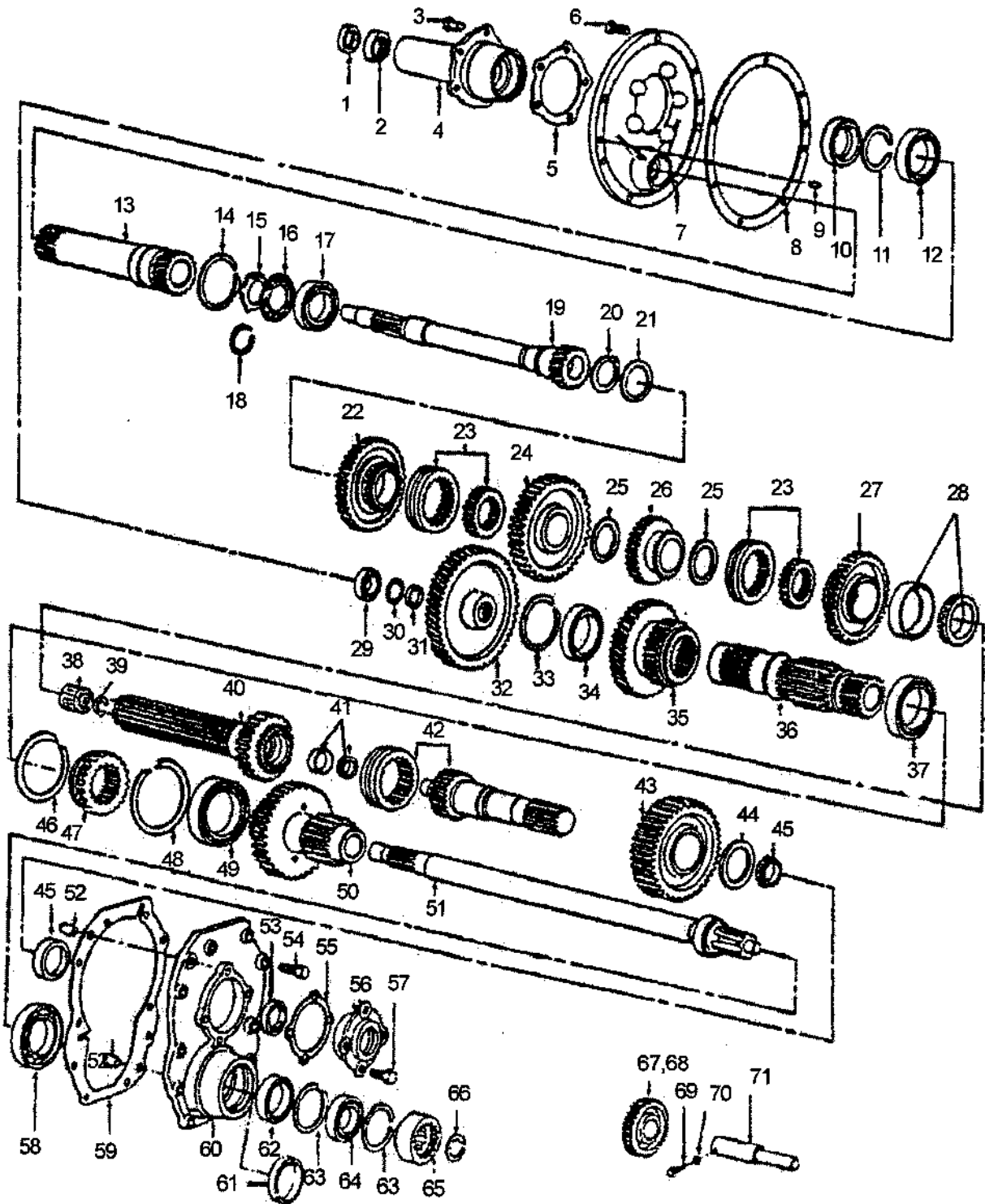


TRANSMISSION CASE & SHIFT LEVERS

| ITEM | LONG #     | VENDOR #     | DESCRIPTION  | QTY. |    |    |
|------|------------|--------------|--|------|----|----|
|      |            |              |  | 35   | 45 | 60 |
| 40   | ESL10720   | C5NN-7221-C  | Fork, Gear Shift   | 1    | 1  | 1  |
| 41   | 379678-S   | 379678-S     | Pin , Main Gear Rail (3/8 x 1.26/1 - 27)                       | 3    | 3  | 3  |
| -    | ESL10737   | 82835213     | Pin, High/Low Rail   | 1    | 1  | 1  |
| 42   | ESL10902   | BB-7234      | Spring, Gear Shift Rail  | 4    | 4  | 4  |
| 43   | ESL10735   | 370924-S     | Ball, Rail Detent (3/8)  | 4    | 4  | 4  |
| 44   | ESL10738   | C5NN-7N225-C | Gasket, Gear Shift Housing                                     | 1    | 1  | 1  |
| 45   | ESL10722   | 91NH-7231-AA | Fork, Gear Shift   | 1    | 1  | 1  |
| 46   | ESL10044   | 87651-S36    | Plug, Pipe (1/4 - 18 - PTF)                                    | 1    | 1  | 1  |
| 47   | ESL10727   | C5NN-7229-B  | Interlock, Gear Shift Rail                                     | 2    | 2  | 2  |
| 48   | 379304-S   | 349304-S     | Pin, Dowel (1/2x0.8125)  | 2    | 2  | 2  |
| 49   | ESL10731   | C5NN-7240-L  | Rail, Gear Shift   | 1    | 1  | 1  |
| 50   | ESL10730   | C5NN-7240-B  | Rail, Gear Shift   | 1    | 1  | 1  |
| 51   | ESL10728   | C5NN-7240-A  | Rail, Gear Shift   | 1    | 1  | 1  |
| 52   | ESL10729   | C5NN-7240-AD | Rail, Gear Shift   | 1    | 1  | 1  |
| 53   | Ⓢ ESL12529 | 11-40747-AA  | Plug, Case Drain (3/4 - 14)                                    | 1    | 1  | 1  |
| 54   | ESL10718   | 87709-S36    | Plug (3/4 - 18)  | 1    | 1  | 1  |
| 55   | ESL10717   | 79NH-7005-AB | Case Assembly, Transmission                                    | 1    | 1  | 1  |
| 56   | Ⓢ 72055-S8 | 72055-S8     | Pin (3/16x1.25)  | 1    | 1  | 1  |
| 57   | 33849-S8   | 33849-S36    | Nut, Hex (5/8 - 11)  | 2    | 2  | 2  |
| 58   | Ⓢ ESL10668 | SPF.983.000  | Bush Set, Clutch Release Cross Shaft<br>(Consists of 2 Bushes) | 1    | 1  | 1  |
| 59   | 58726-S8   | 58726-S36    | Bolt, Hex (5/8-11x3.25)  | 2    | -  | -  |
| -    | 304955-S8  | 304955-S36   | Bolt, Hex (5/8 - 11 x 3.75)                                    | -    | 2  | 2  |
| 60   | 34793-S8   | 34793-S36    | Washer, Lock (7/16)  | 2    | 2  | 2  |
| 61   | 304724-S8  | 304724-S36   | Bolt, Hex (7/16 - 14 x 1.25)                                   | 2    | 2  | 2  |
| 62   | 304883-S8  | 304883-S36   | Bolt, Hex (5/8 - 11 x 2.375)                                   | -    | 2  | 2  |
| -    | 58719-S8   | 58719-S36    | Bolt, Hex (5/8-11x1.50)  | 2    | -  | -  |
| 63   | 304912S8   | 304912-S36   | Bolt, Hex (3/4 - 16 x 2.75)                                    | 2    | 2  | 2  |

**Service Serial Number Breaks:**

|    |           |               |                                      |         |   |   |   |
|----|-----------|---------------|--------------------------------------|---------|---|---|---|
| 1  | ESL10763  | 74NH-7201-A   | Cover & Lever Assembly, Transmission | ⌞243586 | - | 1 | 1 |
| 5  | ESL10004  | E6NN-7Z165-AA | Plug Filler W/Breather               | ⌞243586 | - | 1 | 1 |
| 53 | 87747-S8  | 87747-S36     | Plug, Case Drain                     | ⌞273009 | - | 1 | 1 |
| 56 | 304622-S8 | 304622-S36    | Bolt, Hex Head (5/8-18x0.375)        | ⌞225736 | - | - | 1 |
| -  | ESL11650  | 73NH-9N661-A  | Washer                               | ⌞225736 | - | - | 1 |
| 58 | ESL10661  | C5NN-7A615-A  | Bush, Clutch Release Shaft           | ⌞177877 | - | - | 2 |



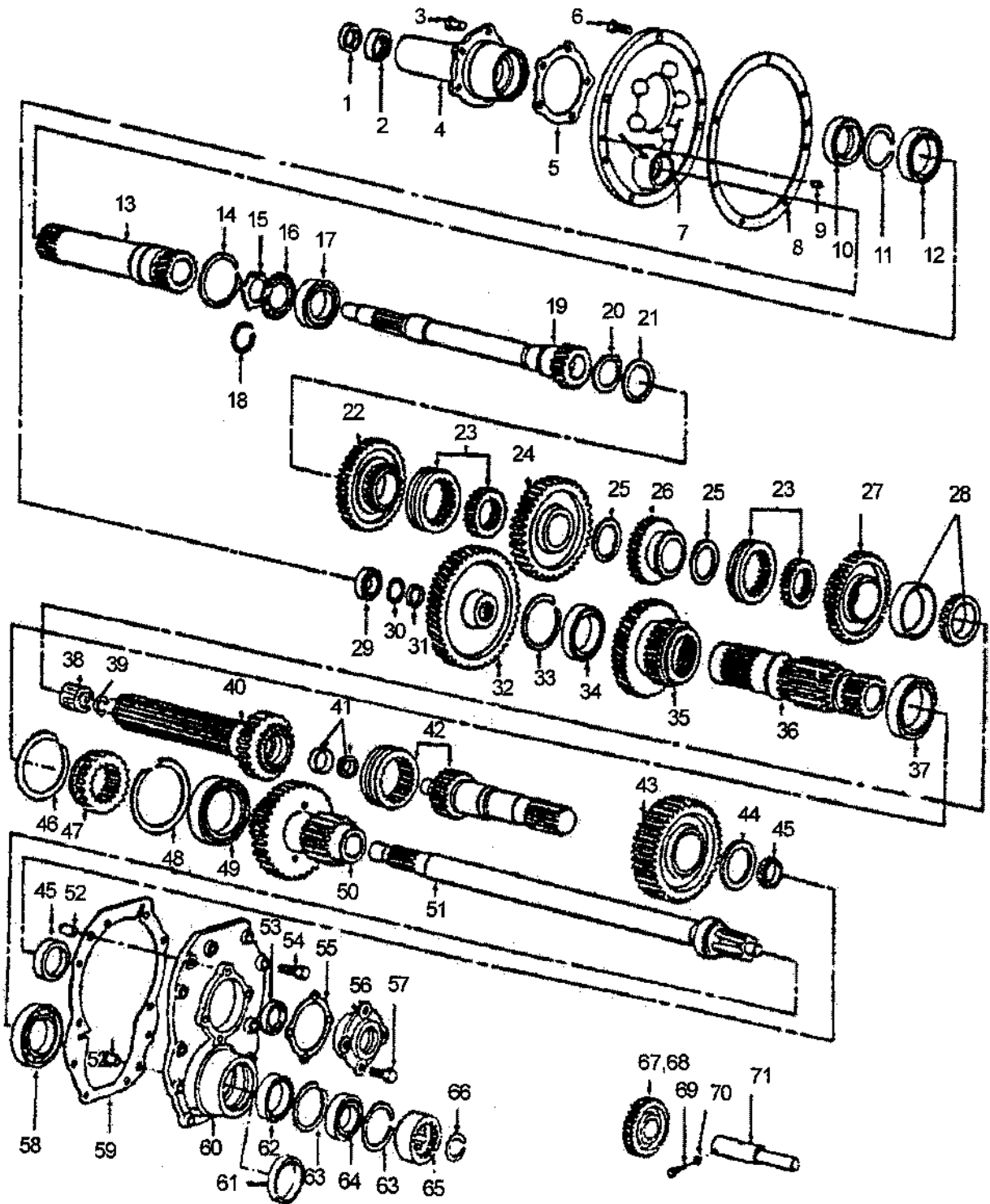
TRANSMISSION GEARS

**35/45/60**

| ITEM | LONG #     | VENDOR #      | DESCRIPTION                            | QTY. |    |    |
|------|------------|---------------|--|------|----|----|
|      |            |               |  | 35   | 45 | 60 |
| 1    | ESL10777   | 957E-727-A    | Seal, PTO Input Shaft                  | 1    | 1  | 1  |
| 2    | ESL10769   | E61-GE-9      | Bearing, PTO Input Shaft               | 1    | 1  | 1  |
| 3    | 46007-S8   | 46007-S36     | Bolt, Hex Head (3/8 - 16 x 0.875)      | 5    | 5  | 5  |
| 4    | ESL10780   | C5NN-7050-C   | Retainer, Input Shaft Bearing          | 1    | 1  | 1  |
| 5    | ESL10781   | C5NN-7N051-B  | Gasket, Clutch Bearing Hub Support     | 1    | 1  | 1  |
| 6    | 46009-S8   | 46009-S36     | Bolt, Hex (3/8 - 16 x 1.125)           | 7    | 7  | 7  |
| 7    | ESL10784   | C7NN-7N055-C  | Plate, Release Bearing Support         | 1    | 1  | 1  |
| 8    | ESL10785   | 93NH-7N057-AA | Gasket, Plate                          | 1    | 1  | 1  |
| 9    | 73269-S8   | 73269-S       | Pin, Dowel (3/8 x 0.687)               | 2    | 2  | 2  |
| 10   | ESL10776   | D9NN-C729-AA  | Oil Seal, Trans Input Shaft            | 1    | 1  | 1  |
| 11   | ESL10772   | 957E-732      | Snap Ring                              | 1    | 1  | 1  |
| 12   | ESL10778   | N-115069-B    | Bearing, Drive Gear Inner              | 1    | 1  | 1  |
| 13   | ESL10767   | C5NN-772-A    | Shaft, PTO Input                       | 1    | 1  | 1  |
| 14   | ESL10774   | C5NN-7N064-A  | Ring                                   | 1    | 1  | 1  |
| 15   | ESL10773   | 85NH-7N300-AA | Ring, Drive Bearing                    | 1    | 1  | 1  |
| 16   | ESL12249   | C5NN-7N301-C  | Plate, Input Shaft Bearing             | 1    | 1  | 1  |
| 17   | ESL10768   | C5NN-7A452-A  | Bearing, Trans Input Shaft             | 1    | 1  | 1  |
| 18   | ESL10771   | 508E-7064-A   | Snap Ring                              | 1    | 1  | 1  |
| 19   | ESL14472   | 22-70015-AA   | Shaft, Transmission Input (18 Splines) | 1    | -  | -  |
| -    | ESL10766   | 85NH-7017-AB  | Shaft, Transmission Input (19 Splines) | -    | 1  | 1  |
| 20   | ESL10795   | C5NN-7064-A   | Snap Ring, Main Shaft                  | 1    | 1  | 1  |
| 21   | ESL11686   | 957E-7071-B   | Washer, Main Shaft Thrust              | 1    | 1  | 1  |
| 22   | ESL10794   | C5NN-7B340-A  | Gear, 3rd Speed                        | 1    | 1  | 1  |
| 23   | Ⓢ ESL10791 | D6NN-7N072-A  | Connector & Coupling                   | 2    | 2  | 2  |
| 24   | ESL10793   | C5NN-7100-F   | Gear, 1st Speed                        | 1    | 1  | 1  |
| 25   | ESL11685   | 957E-7728     | Washer, Main Shaft Thrust              | 2    | 2  | 2  |
| 26   | ESL10792   | C5NN-7K013-E  | Gear, Main Shaft Reverse               | 1    | 1  | 1  |
| 27   | ESL10789   | C5NN-7102-F   | Gear, 2nd Speed                        | 1    | 1  | 1  |
| 28   | ESL10786   | C5NN-7N430-A  | Bearing, Taper Roller                  | 1    | 1  | 1  |
| 29   | ESL10819   | 11-74109-AA   | Bearing, PTO Countershaft Front        | 1    | 1  | 1  |
| 30   | ESL10820   | C7NN-B781-A   | Ring Snap                              | 1    | 1  | 1  |
| 31   | ESL11689   | C7NN-B777-B   | Washer, PTO Countershaft               | 1    | 1  | 1  |
| 32   | ESL10817   | C7NN-792-B    | Gear, PTO Countershaft                 | 1    | 1  | 1  |
| 33   | ESL10774   | C5NN-7N064-A  | Lock Ring                              | 1    | 1  | 1  |
| 34   | ESL10818   | N-115069-B    | Bearing, Front                         | 1    | 1  | 1  |
| 35   | ESL10816   | 91NH-7113-AA  | Gear, Transmission Countershaft Main   | -    | 1  | 1  |
| -    | ESL14473   | 22-70113-AB   | Gear, Transmission Countershaft Main   | 1    | -  | -  |
| 36   | ESL10813   | C5NN-7111-N   | Countershaft, Main Transmission        | 1    | 1  | 1  |
| 37   | ESL10814   | E1ADDN-7025-A | Bearing, Rear                          | 1    | 1  | 1  |
| 38   | ESL10797   | 92NH-7120-AA  | Bearing, Main Shaft Pilot              | 1    | 1  | 1  |

**TRANSMISSION GEARS**

35/45/60



TRANSMISSION GEARS

35/45/60

| ITEM   | LONG #   | VENDOR #      | DESCRIPTION                                 | QTY. |    |    |
|--------|----------|---------------|---|------|----|----|
|        |          |               |   | 35   | 45 | 60 |
| 39     | ESL11687 | 85NH-7N036-AA | Washer                                      | 2    | 2  | 2  |
| 40     | ESL10787 | C5NN-7C095-D  | Shaft, Main (Rear)                          | 1    | 1  | 1  |
| 41     | ESL10788 | C5NN-7N044-A  | Bearing, Taper Roller                       | 1    | 1  | 1  |
| 42 (S) | ESL10799 | 87NH-7N071-AA | Shaft & Coupling Assembly, Output           | 1    | 1  | 1  |
| 43     | ESL10800 | 87NH-7145-AA  | Gear, Output Shaft                          | 1    | 1  | 1  |
| 44     | ESL11688 | 87NH-7A385-AA | Washer, Output Shaft Thrust                 | 1    | 1  | 1  |
| 45     | ESL10801 | D1NN-B731-A   | Bearing, Taper Roller                       | 1    | 1  | 1  |
| 46     | ESL10815 | E1ADKN-77014  | Lock Ring                                   | 1    | 1  | 1  |
| 47     | ESL10821 | C5NN-7106-D   | Coupling, Trans Countershaft, Rear          | 1    | 1  | 1  |
| 48     | ESL10824 | C5NN-7N160-A  | Lock Ring                                   | 1    | 1  | 1  |
| 49     | ESL10823 | C5NN-7127-B   | Bearing, Rear                               | 1    | 1  | 1  |
| 50     | ESL10822 | C5NN-7113-B   | Gear, Trans Countershaft Rear               | 1    | 1  | 1  |
| 51     | ESL10811 | C7NN-702-B    | Countershaft, PTO                           | 1    | 1  | 1  |
| 52     | 379304-S | 379304-S      | Pin, Dowel (1/2 x 0.8125)                   | 2    | 2  | 2  |
| 53     | ESL10809 | C5NN-77086-A  | Seal, Output Shaft                          | 1    | 1  | 1  |
| 54     | 46009-S8 | 46009-S36     | Bolt, Hex (3/8 - 16 x 1.125)                | 10   | 10 | 10 |
| 55     | ESL10805 | C5NN-7N135-A  | Shim (0.003)                                | AR   | AR | AR |
| -      | ESL10806 | C5NN-7N135-B  | Shim (0.005)                                | AR   | AR | AR |
| -      | ESL10807 | C5NN-7N135-C  | Shim (0.012)                                | AR   | AR | AR |
| 56     | ESL10808 | C9NN-7049-D   | Retainer, Output Shaft Bearing              | 1    | 1  | 1  |
| 57     | 46007-S8 | 46007-S36     | Bolt, Hex (3/8 - 16 x 0.875)                | 4    | 4  | 4  |
| 58     | ESL10825 | C5NN-7127-A   | Bearing, PTO Countershaft Front             | 1    | 1  | 1  |
| 59     | ESL10802 | C5NN-7086-A   | Gasket, Output Retainer Plate               | 1    | 1  | 1  |
| 60     | ESL10803 | C5NN-7049-E   | Retainer Assembly, Trans Output Shaft       | 1    | 1  | 1  |
| 61     | ESL10804 | 115422-ES     | Plug, Retainer Expansion                    | AR   | AR | AR |
| 62     | ESL10826 | E62-GE-9      | Seal Assembly, PTO Countershaft Rear        | 1    | 1  | 1  |
| 63     | ESL10827 | 957E-790      | Snap Ring, PTO Countershaft Rear            | 2    | 2  | 2  |
| 64     | ESL10828 | E75-GE-9      | Bearing, PTO Countershaft Rear              | 1    | 1  | 1  |
| 65     | ESL10829 | C5NN-N705-A   | Sleeve, PTO Intermediate Shaft              | 1    | 1  | 1  |
| 66     | ESL10830 | E1ADKN-7256   | Lock Ring, Sleeve & Gear                    | 1    | 1  | 1  |
| 67     | ESL10832 | 87NH-7141-AA  | Gear Assembly, Reverse Idler (Includes #68) | 1    | 1  | 1  |
| 68     | ESL10833 | 987E-7143-A   | Bush, Reverse Idler Gear                    | 1    | 1  | 1  |
| 69     | ESL11755 | C5NN-7N011-B  | Bolt (3/8-16)                               | 1    | 1  | 1  |
| 70     | ESL10834 | C5NN-7N144-A  | Seal Idler Shaft                            | 1    | 1  | 1  |
| 71     | ESL10831 | C5NN-7140-B   | Shaft, Transmission Reverse Idler           | 1    | 1  | 1  |

### Service Serial Number Breaks:

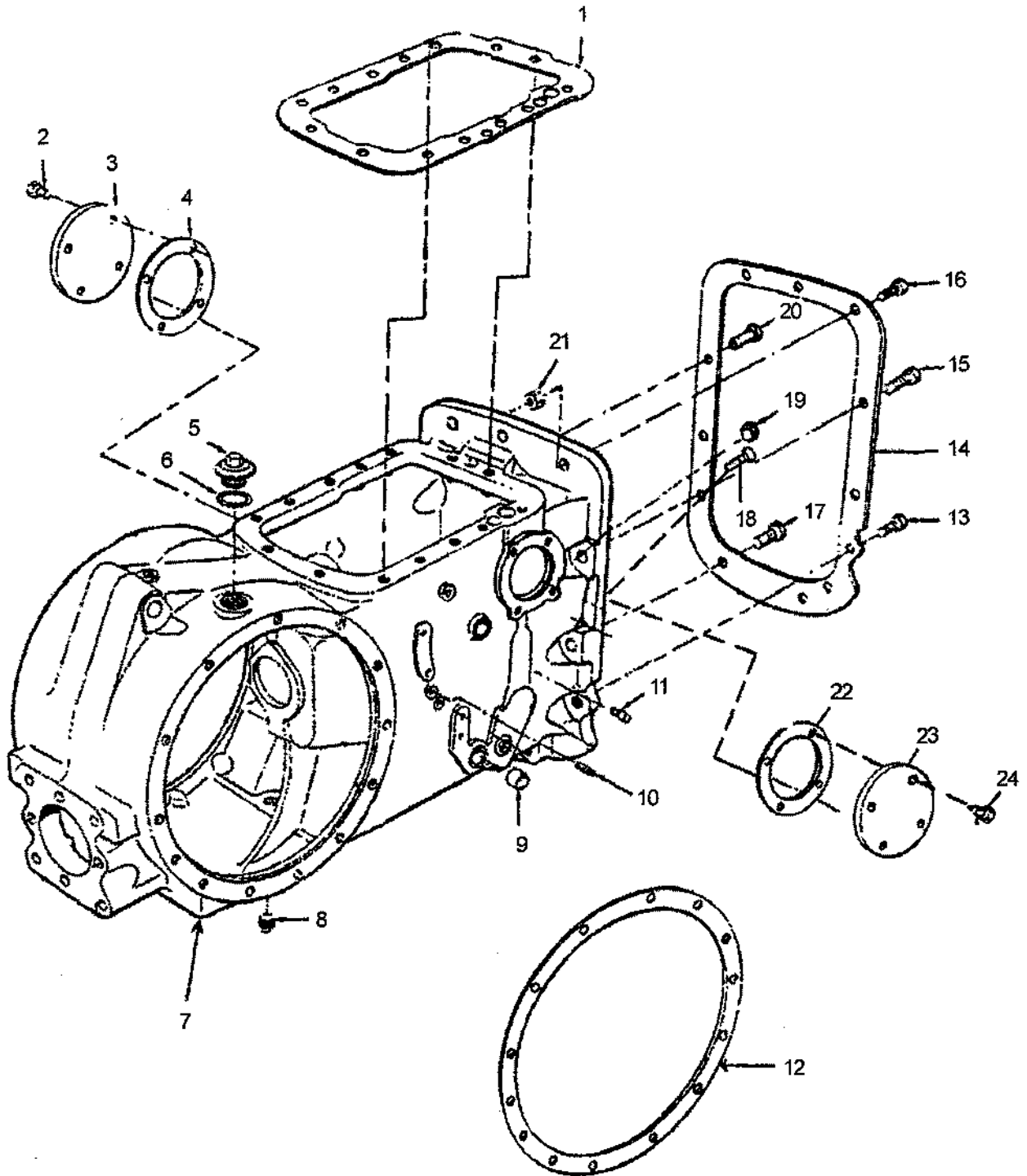
|    |          |               |                                   |          |   |   |   |
|----|----------|---------------|-----------------------------------|----------|---|---|---|
| 23 | ESL10790 | 91NH-7N072-AA | Connector & Coupling, Gear Shift  | ⌞ 185444 | - | - | 2 |
| 42 | ESL14474 | C9NN-7N071-A  | Coupling & Shaft Assembly, Output | ⌞ 185444 | - | - | 1 |

---

Notes



# *REAR END & P.T.O.*



**CENTER HOUSING**

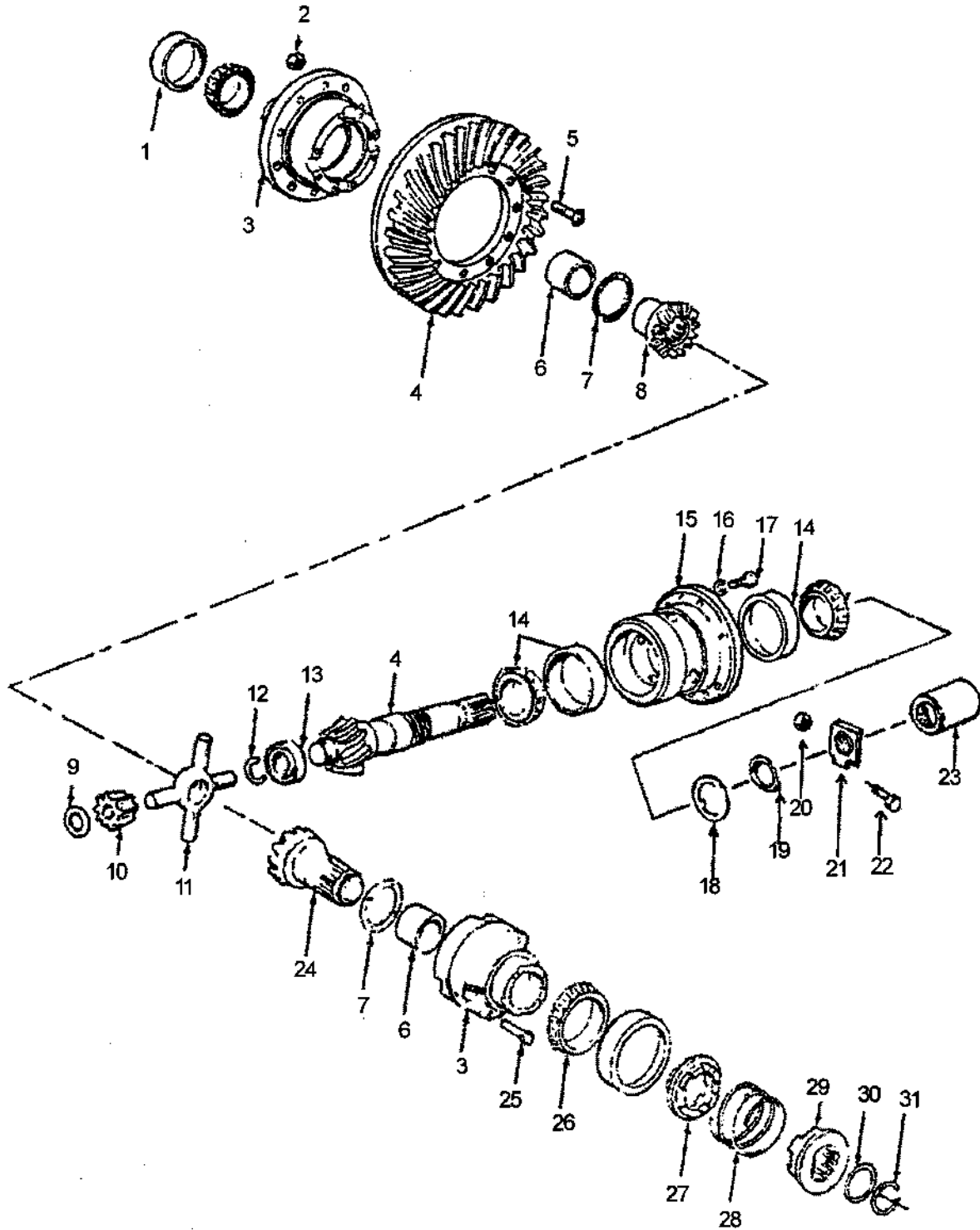
| ITEM | LONG #     | VENDOR #      | DESCRIPTION                      | QTY. |    |    |
|------|------------|---------------|----------------------------------|------|----|----|
|      |            |               |                                  | 35   | 45 | 60 |
| 1    | ESL10841   | C5NN-502-A    | Gasket, Hydraulic Lift Cover     | 1    | 1  | 1  |
| 2    | ESL11971   | 304668-S36    | Bolt, Hex (7/16 - 14 x 0.875)    | 2    | 2  | 2  |
| 3    | ESL10846   | 81NH-4N020-AA | Cover                            | 1    | 1  | 1  |
| 4    | ESL10845   | E5NN-4N021-BA | Gasket, Cover                    | 1    | 1  | 1  |
| 5    | ESL10842   | 957E-7010     | Plug, Center Housing Filler      | 1    | 1  | 1  |
| 6    | ESL10740   | D9NN-7037-AA  | Gasket, Filler Plug              | 1    | 1  | 1  |
| 7    | ESL10836   | 82835340      | Housing, Rear Axle Center        | 1    | 1  | 1  |
| 8    | Ⓢ ESL12529 | 11-40747-AA   | Plug, Drain (3/4 - 14)           | 1    | 1  | 1  |
| 9    | ESL10847   | SPF.987.000   | Bush Set, Brake Pedal Shaft      | 1    | 1  | 1  |
| 10   | ESL10838   | 87657-S36     | Plug (1/4 - 18)                  | 1    | 1  | 1  |
| 11   | ESL10837   | C5NN-N951-B   | Pin                              | 1    | 1  | 1  |
| 12   | ESL10883   | C5NN-4885-C   | Gasket (0.1524 - 0.2032mm Thick) | AR   | AR | AR |
| -    | ESL10884   | C5NN-4885-D   | Gasket (0.279-0.329mm Thick)     | AR   | AR | AR |
| -    | ESL10885   | C5NN-4885-E   | Gasket (0.3810 - 0.4310mm Thick) | AR   | AR | AR |
| 13   | 58676-S8   | 58676-S36     | Bolt, Hex (1/2 - 13 x 1.75)      | 1    | 1  | 1  |
| 14   | ESL10840   | E2NN-4N507-AA | Gasket                           | 1    | 1  | 1  |
| 15   | 58677-S8   | 58677-S36     | Bolt, Hex (1/2 - 13 x 2.00)      | 1    | 1  | 1  |
| 16   | 58699-S8   | 59699-S36     | Bolt, Hex (9/16 - 12 x 2.00)     | 2    | 2  | 2  |
| 17   | 58701-S8   | 58701-S36     | Bolt, Hex (9/16 - 12 x 2.50)     | 2    | 2  | 2  |
| 18   | 58679-S8   | 58679-S36     | Bolt, Hex (1/2 - 13 x 2.50)      | 1    | 1  | 1  |
| 19   | 33845-S8   | 33845-S36     | Nut, Hex (1/2 - 13)              | 6    | 6  | 6  |
| 20   | 58678-S8   | 58678-S36     | Bolt, Hex (1/2 - 13 x 2.25)      | 3    | 3  | 3  |
| 21   | 33847-S8   | 33847-S36     | Nut, Hex (9/16 - 12)             | 4    | 4  | 4  |
| 22   | ESL11970   | 11-20021-AA   | Gasket, Cover FCV Opening*       | 1    | -  | -  |
| -    | ESL11202   | C5NN-N949-A   | Gasket, Flow Control Valve       | -    | 1  | 1  |
| 23   | ESL11969   | 11-20019-AA   | Cover, FCV Opening*              | 1    | -  | -  |
| 24   | 304668-S8  | 304668-S36    | *Bolt, Hex (7/16-14x0.875)       | 4    | -  | -  |

**Service Serial Number Breaks:**

|   |          |           |                     |         |   |   |   |
|---|----------|-----------|---------------------|---------|---|---|---|
| 8 | ESL10839 | 87747-S36 | Plug Drain (3/4-14) | Ⓢ273009 | - | 1 | 1 |
|---|----------|-----------|---------------------|---------|---|---|---|

\*Used Only when Flow Control Valve is not installed

**35/45/60**



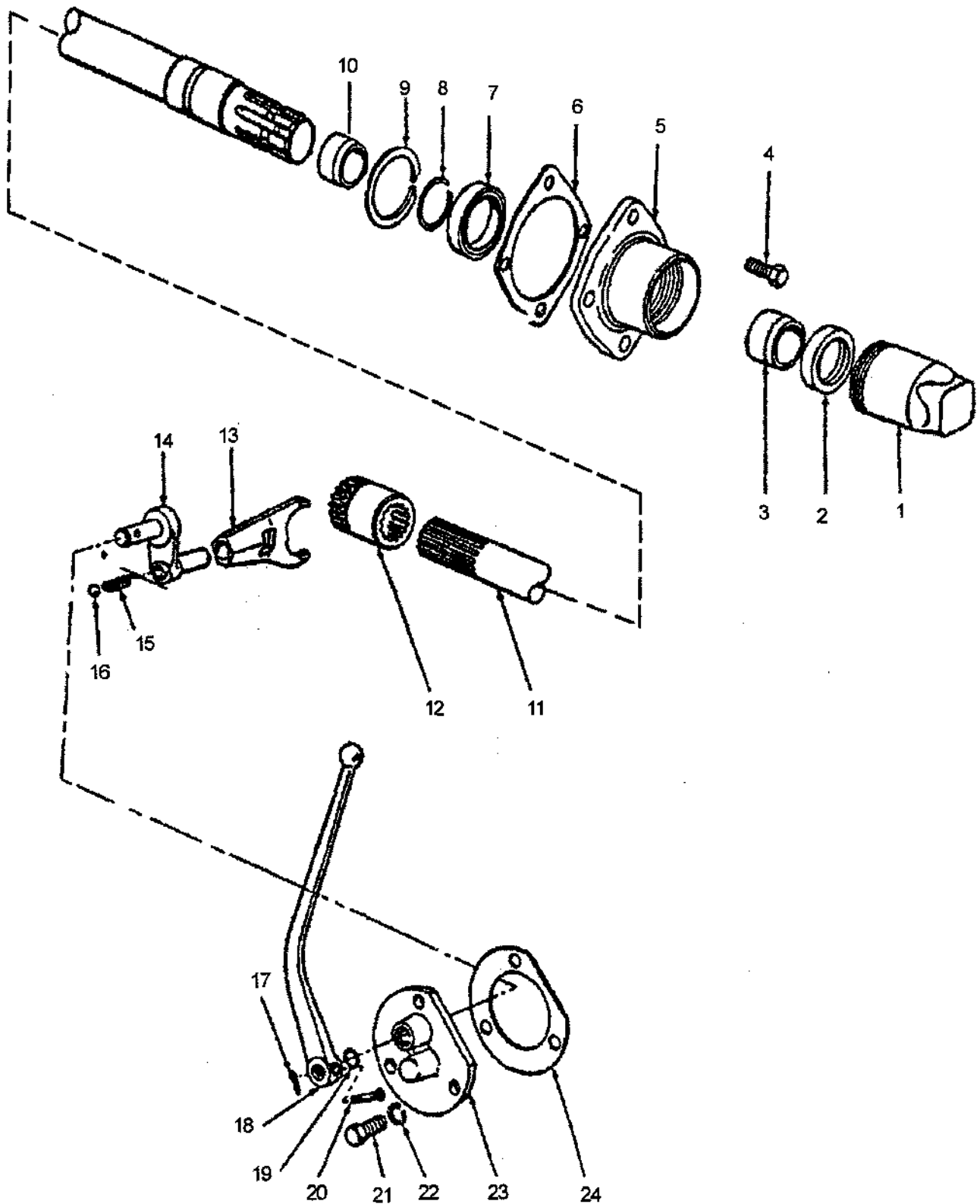
**DIFFERENTIAL & GEAR SET**

| ITEM | LONG #     | VENDOR #       | DESCRIPTION                         | QTY. |    |    |
|------|------------|----------------|-------------------------------------|------|----|----|
|      |            |                |                                     | 35   | 45 | 60 |
| 1    | Ⓢ ESL14475 | 11-42220-AA    | Bearing Assembly, Taper Roller      | 1    | 1  | 1  |
| 2    | ESL14476   | 12-45135-AA    | Nut, Hex Lock (1/2 - 20)            | 12   | 12 | 12 |
| 3    | ESL10850   | 91NH-4204-AA   | Case, Rear Axle Differential        | 1    | 1  | 1  |
| 4    | ESL10851   | D1NN-4209-B    | Gear Set, Rear Axle Matched         | 1    | 1  | 1  |
| 5    | ESL11900   | 91NH-390777-AA | Bolt, Fillet Head (1/2 - 20 x 1.62) | 12   | 12 | 12 |
| 6    | ESL10856   | E185-EB-9      | Bush, Differential Case             | 2    | 2  | 2  |
| 7    | ESL11690   | 957E-4228      | Washer, Thrust, Differential        | 2    | 2  | 2  |
| 8    | ESL10852   | 78NH-4A162-AA  | Gear, Differential Side LH          | 1    | 1  | 1  |
| 9    | ESL11871   | 508E-4230-A    | Washer, Thrust, Differential        | 4    | 4  | 4  |
| 10   | ESL10855   | 75NH-4292-A    | Pinion, Differential                | 4    | 4  | 4  |
| 11   | ESL10854   | 81NH-4211-AA   | Spider, Rear Axle Differential      | 1    | 1  | 1  |
| 12   | ESL10862   | 960E-4627      | Ring, Drive Pinion Pilot Bearing    | 1    | 1  | 1  |
| 13   | ESL10861   | 86NH-4A242-AA  | Bearing, Driver Pinion Pilot        | 1    | 1  | 1  |
| 14   | ESL10863   | 960E-4615      | Bearing, Taper Roller               | 2    | 2  | 2  |
| 15   | ESL10864   | 86NH-4614-AA   | Retainer, Drive Pinion Bearing      | 1    | 1  | 1  |
| 16   | 34810-S8   | 34810-S36      | Washer, Lock (9/16)                 | 4    | 4  | 4  |
| 17   | 304728-S8  | 304728-S36     | Bolt, Hex (9/16 - 12 x 1.25)        | 4    | 4  | 4  |
| 18   | ESL11691   | E6NN-4A056-AA  | Washer, Bearing Thrust              | 1    | 1  | 1  |
| 19   | ESL11692   | E6NN-4667-AA   | Washer, Thrust, Drive Pinion        | 1    | 1  | 1  |
| 20   | ESL11804   | 376421-S7      | Nut, Lock                           | 1    | 1  | 1  |
| 21   | ESL10865   | C5NN-4A053-B   | Clamp, Drive Pinion                 | 1    | 1  | 1  |
| 22   | 376415-S8  | 376415-S36     | Bolt                                | 1    | 1  | 1  |
| 23   | ESL10866   | C5NN-4684-A    | Coupling, Drive Shaft               | 1    | 1  | 1  |
| 24   | ESL10853   | 78NH-4236-A    | Gear, Differential Side RH          | 1    | 1  | 1  |
| 25   | 43104-S8   | 43104-S36      | Screw, Hex (1/2 - 13 x 0.88)        | 8    | 8  | 8  |
| 26   | ESL10849   | 957E-4220      | Bearing, Taper Roller               | 1    | 1  | 1  |
| 27   | ESL10857   | E186-EB-9      | Adapter, Differential Lock Case     | 1    | 1  | 1  |
| 28   | ESL10858   | E188-EB-9      | Spring, Differential Lock Coupling  | 1    | 1  | 1  |
| 29   | ESL10859   | E187-EB-9      | Coupling, Differential Lock         | 1    | 1  | 1  |
| 30   | ESL11872   | E189-EB-9      | Washer, Lock Coupling               | 1    | 1  | 1  |
| 31   | ESL10860   | E1ADDN-4286    | Ring, Differential Lock Coupling    | 1    | 1  | 1  |

**Service Serial Number Breaks:**

|   |          |              |                                |          |   |   |   |
|---|----------|--------------|--------------------------------|----------|---|---|---|
| 1 | ESL10848 | 91NH-4220-AA | Bearing Assembly, Taper Roller | Ⓢ 234897 | 1 | 1 | 1 |
|---|----------|--------------|--------------------------------|----------|---|---|---|

**DIFFERENTIAL & GEAR SET**

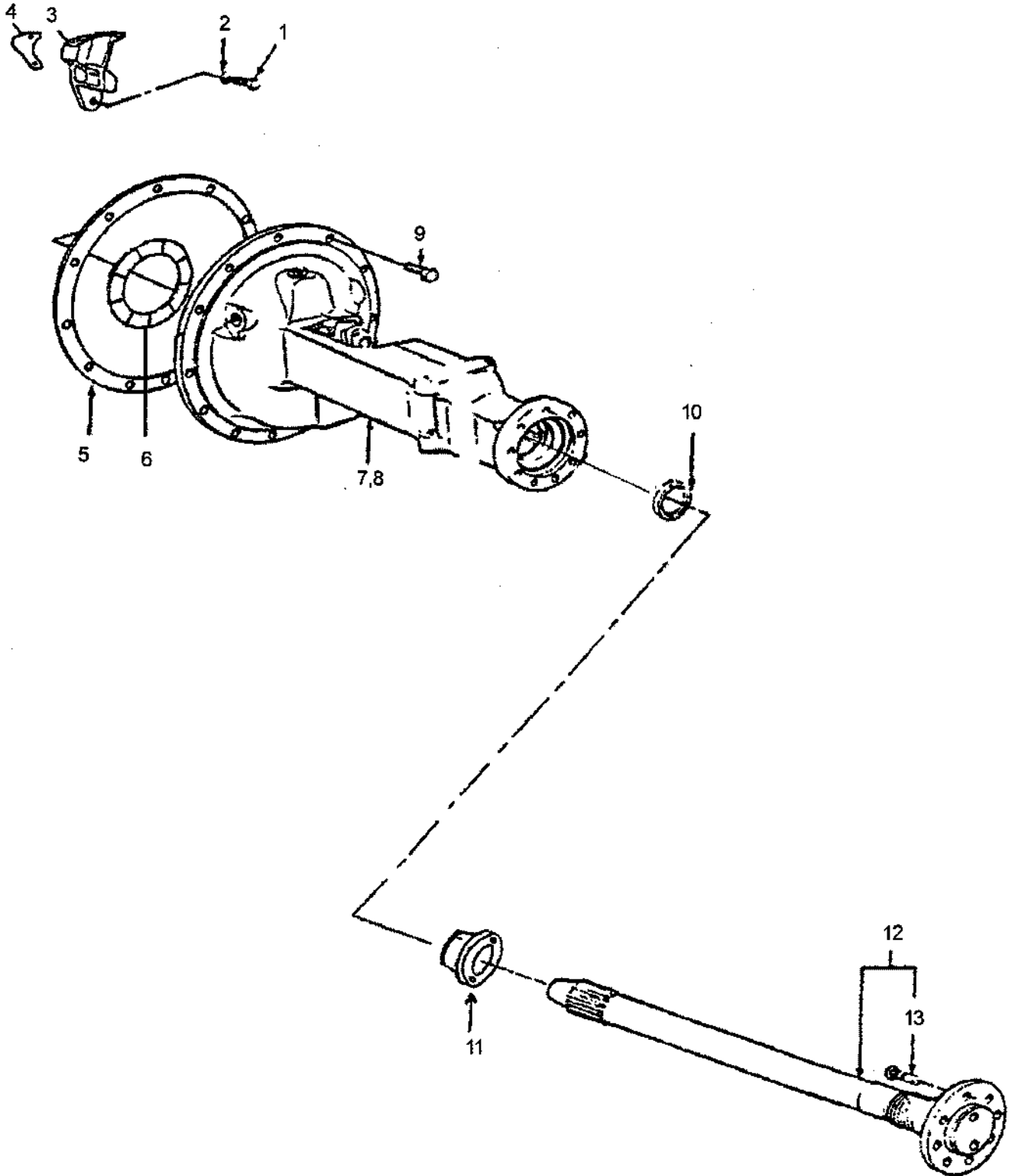


**POWER TAKE OFF ASSEMBLY**

| ITEM | LONG #     | VENDOR #    | DESCRIPTION                  | QTY. |    |    |
|------|------------|-------------|------------------------------|------|----|----|
|      |            |             |                              | 35   | 45 | 60 |
| 1    | ESL10917   | 310088      | Cap, PTO Shaft Rear          | 1    | 1  | 1  |
| 2    | ESL12532   | 11-40703-AA | Oil Seal, Rear PTO Shaft     | 1    | 1  | 1  |
| 3    | ESL10913   | NH-310087   | Sleeve, PTO Shaft Rear       | 1    | 1  | 1  |
| 4    | 304724-S8  | 304724-S36  | Bolt, Hex (7/16 - 14 x 1.14) | 4    | 4  | 4  |
| 5    | ESL10915   | E2NN-733-AA | Cover, PTO Shaft Rear        | 1    | 1  | 1  |
| 6    | ESL10916   | C5NN-747-A  | Gasket, Rear Cover           | 1    | 1  | 1  |
| 7    | ESL10910   | 8A-7065-A   | Bearing Rear, PTO Shaft      | 1    | 1  | 1  |
| 8    | ESL10911   | 310086      | Snap Ring                    | 1    | 1  | 1  |
| 9    | ESL10912   | 314267      | Snap Ring                    | 1    | 1  | 1  |
| 10   | ESL10909   | 11-07716-A  | Bush, PTO Rear Shaft         | 1    | 1  | 1  |
| 11   | Ⓢ ESL10908 | 82835249    | Shaft , PTO Rear             | 1    | 1  | 1  |
| 12   | ESL10906   | C5NN-717-A  | Sleeve, PTO Countershaft     | 1    | 1  | 1  |
| 13   | ESL10905   | C5NN-720-A  | Fork, PTO Shifter            | 1    | 1  | 1  |
| 14   | ESL10900   | C7NN-N740-A | Arm, PTO Shifter             | 1    | 1  | 1  |
| 15   | ESL10902   | BB-7234     | Spring, PTO Shifter Arm      | 1    | 1  | 1  |
| 16   | ESL10735   | 370924-S    | Ball, PTO Shifter Arm        | 1    | 1  | 1  |
| 17   | 72003-S8   | 72003-S8    | Pin, Cotter, Bolt to Lever   | 1    | 1  | 1  |
| 18   | ESL10904   | C5NN-723-A  | Lever, PTO Shifter           | 1    | 1  | 1  |
| 19   | ESL10300   | 11-61035-AA | 'O'Ring (0.625 x 0.103)      | 1    | 1  | 1  |
| 20   | 305080-S8  | 305080-S2   | Pin, Roll (1/4 x 1)          | 1    | 1  | 1  |
| 21   | 304686-S8  | 304686-S36  | Bolt, Hex (7/16 - 14 x 1.00) | 3    | 3  | 3  |
| 22   | 34808-S8   | 34808-S36   | Washer, Lock (7/16)          | 3    | 3  | 3  |
| 23   | ESL10898   | C7NN-721-A  | Plate, PTO Shifter           | 1    | 1  | 1  |
| 24   | ESL10899   | C5NN-N722-B | Gasket, PTO Shifter Plate    | 1    | 1  | 1  |

**Service Serial Number Breaks:**

|    |          |              |                          |          |   |   |   |
|----|----------|--------------|--------------------------|----------|---|---|---|
| 11 | ESL10907 | 79NH-A728-AA | Shaft Assembly, PTO Rear | ↳ 202698 | - | - | 1 |
|----|----------|--------------|--------------------------|----------|---|---|---|



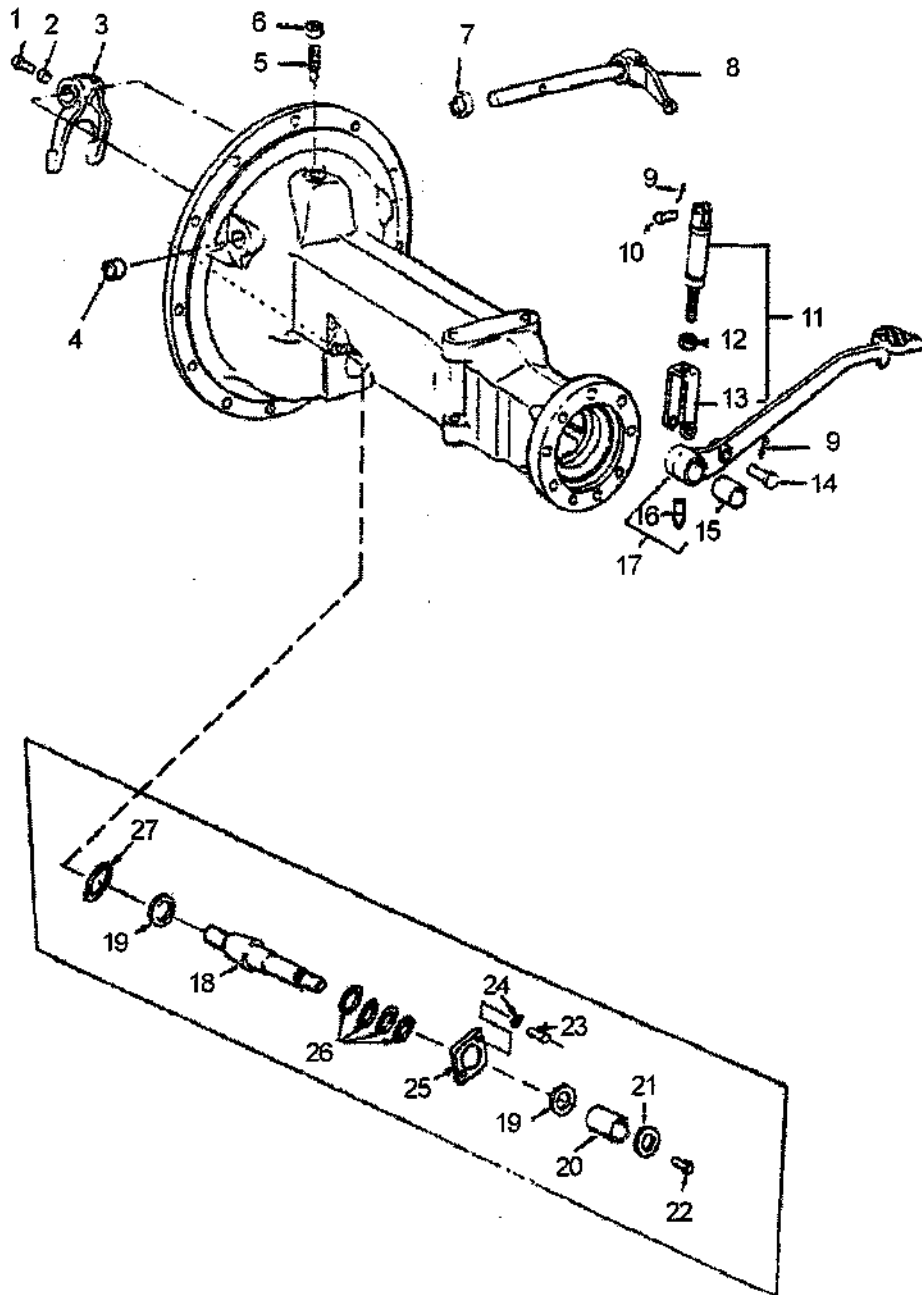
**REAR AXLE**



| ITEM | LONG #     | VENDOR #      | DESCRIPTION                  | QTY. |    |    |
|------|------------|---------------|------------------------------|------|----|----|
|      |            |               |                              | 35   | 45 | 60 |
| 1    | 304684-S8  | 304684-S36    | Bolt, Hex (3/8 - 16 x 1.00)  | 2    | 2  | 2  |
| 2    | 34807-S8   | 34807-S36     | Washer, Lock (3/8)           | 2    | 2  | 2  |
| 3    | ESL10896   | 92NH-4194-AA  | Block, Drive Gear Thrust     | 1    | 1  | 1  |
| 4    | ESL10897   | 92NH-4A194-AA | Shim, Thrust Block (0.004)   | AR   | AR | AR |
| 5    | ESL10883   | C5NN-4885-C   | Gasket (0.152 - 0.203)       | AR   | AR | AR |
| -    | ESL10884   | C5NN-4885-D   | Gasket (0.279 - 0.329)       | AR   | AR | AR |
| -    | ESL10885   | C5NN-4885-E   | Gasket (0.381 - 0.432)       | AR   | AR | AR |
| 6    | ESL10889   | 90NH-4229-AA  | Shim (2.297)                 | AR   | AR | AR |
| -    | ESL10890   | 90NH-4229-AB  | Shim (0.203 - 0.254)         | AR   | AR | AR |
| -    | ESL10891   | 90NH-4229-AC  | Shim (0.381 - 0.439)         | AR   | AR | AR |
| -    | ESL10892   | 90NH-4229-AD  | Shim (0.508 - 0.559)         | AR   | AR | AR |
| -    | ESL10893   | 90NH-4229-AE  | Shim (0.762 - 0.813)         | AR   | AR | AR |
| -    | ESL10894   | 90NH-4229-AF  | Shim (1.250 - 1.300)         | AR   | AR | AR |
| 7    | Ⓢ ESL14477 | 11-40010-AB   | Housing, Rear Axle RH        | 1    | 1  | 1  |
| 8    | Ⓢ ESL14478 | 11-40020-AB   | Housing, Rear Axle LH        | 1    | 1  | 1  |
| 9    | ESL11901   | C5NN-4N027-A  | Bolt, Hex (9/16 - 12 x 1.38) | 26   | 26 | 26 |
| 10   | ESL10888   | 86NH-4233-AD  | Seal Assembly, Inner         | 2    | 2  | 2  |
| 11   | Ⓢ ESL12426 | 11-41069-AA   | Mud Shield & Retainer        | 2    | 2  | 2  |
| 12   | ESL10886   | 91NH-4244-BA  | Shaft and Bolt Assembly      | 2    | 2  | 2  |
| 13   | ESL11758   | 82835212      | Bolt, Rear Wheel Disc        | 16   | 16 | 16 |

**Service Serial Number Breaks:**

|    |             |              |                                |          |   |   |   |
|----|-------------|--------------|--------------------------------|----------|---|---|---|
| 7  | ESL10881    | 90NH-4010-AA | Housing Assembly, Rear Axle RH | ⌞ 237670 | - | 1 | 1 |
| 8  | ESL10882    | 91NH-4011-BA | Housing Assembly, Rear Axle LH | ⌞ 237671 | - | 1 | 1 |
| 11 | ESL10887    | 91NH-4969-AA | Mud Shield & Retainer Assembly | ⌞ 232820 | 2 | 2 | 2 |
| -  | N-605528-S8 | N-605528-S36 | Bolt, Hex Head (M8*1.25-12)    | ⌞ 232820 | 4 | 4 | 4 |



**DIFFERENTIAL LOCK COUPLING**

**35/45/60**

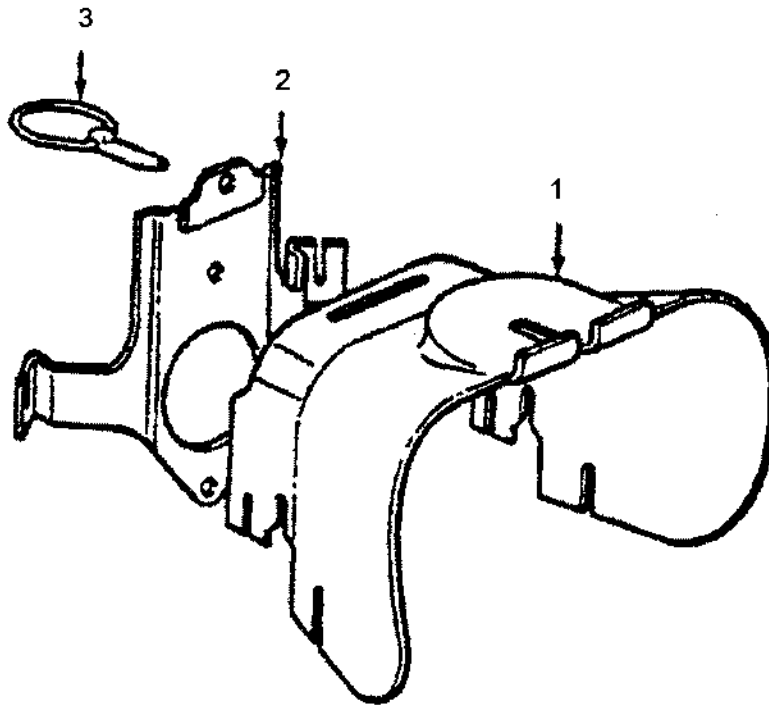
| ITEM | LONG #     | VENDOR #      | DESCRIPTION                                    | QTY. |    |    |
|------|------------|---------------|--|------|----|----|
|      |            |               |  | 35   | 45 | 60 |
| 1    | ESL11869   | 957E-7245     | Screw, Differential Lock Coupling Fork         | 1    | 1  | 1  |
| 2    | 33925-S8   | 33925-S36     | Nut, Fork Lock Screw, Hex (3/8-24)             | 1    | 1  | 1  |
| 3    | ESL10880   | C5NN-4N053-A  | Fork, Differential Lock Coupling               | 1    | 1  | 1  |
| 4    | ESL10879   | E193-EB-9     | Plug, Differential Lock Lever Shaft            | 1    | 1  | 1  |
| 5    | ESL11873   | E211-EB9      | Screw, Differential Lock Fork Stop             | 1    | 1  | 1  |
| 6    | 33924-S8   | 33924-S36     | Nut, Hex (3/8-16)                              | 1    | 1  | 1  |
| 7    | ESL10878   | E196-EB-9     | Seal, Differential Lock Lever Shaft            | 1    | 1  | 1  |
| 8    | ESL10877   | 73NH-4N107-A  | Shaft & Lever Assembly, Differential Lock      | 1    | 1  | 1  |
| 9    | 72017-S8   | 72017-S8      | Pin, Cotter (1/8x0.75)                         | 2    | 2  | 2  |
| 10   | 73871-S8   | 73871-S36     | Pin, Clevis (5/16x0.76)                        | 1    | 1  | 1  |
| 11   | ESL10875   | 71NH-4N105-A  | Linkage Assembly, Rear Axle Differential Lock  | 1    | 1  | 1  |
| 12   | ESL11806   | C9NN-4N106-A  | Nut, Differential Lock Adjusting               | 1    | 1  | 1  |
| 13   | ESL10876   | 71NH-4N103-A  | Clevis, Differential Lock                      | 1    | 1  | 1  |
| 14   | 76232-S8   | 76232-S36     | Pin, Clevis to Pedal (5/16x1.24)               | 1    | 1  | 1  |
| 15   | ESL10869   | 74NH-2N461-A  | Bush, Differential Lock Pedal                  | 1    | 1  | 1  |
| 16   | ESL10868   | 87907-S36     | Grease Nipple (1/4 - 28)                       | 1    | 1  | 1  |
| 17   | ESL10867   | 93NH-4N191-AA | Pedal Assembly, Differential Lock              | 1    | 1  | 1  |
| 18   | Ⓢ ESL14565 | 11-55563-AA   | Shaft Lower Link                               | 2    | 2  | 2  |
| 19   | Ⓢ ESL11694 | 92NH-D849-AB  | Washer, Shaft Link                             | 4    | 4  | 4  |
| 20   | ESL10874   | 90NH-4N086-AA | Sleeve, Differential Lock Pedal (RH Side Only) | 1    | 1  | 1  |
| 21   | 44746-S8   | 44746-S36     | Washer, Flat (3/4")                            | 2    | 2  | 2  |
| 22   | ESL11764   | 90NH-4N087-AA | Bolt, Differential Lock Pedal to Shaft Link    | 2    | 2  | 2  |
| 23   | 304684-S8  | 304684-S36    | Bolt, Hex Head (3/8-16x1.00)                   | 4    | 4  | 4  |
| 24   | 44881-S8   | 44881-S36     | Washer, Flat Head (3/8)                        | 4    | 4  | 4  |
| 25   | ESL10873   | 90NH-5N063-AA | Retainer Lock                                  | 2    | 2  | 2  |
| 26   | Ⓢ ESL10872 | 87028-S94     | 'O' Seal                                       | 8    | 8  | 8  |

**Service Serial Number Breaks:**

|    |          |               |                      |          |   |   |   |
|----|----------|---------------|----------------------|----------|---|---|---|
| 18 | ESL11131 | 92NH-N563-AA  | Shaft Lower Link, RH | ⌞ 176045 | - | - | 1 |
| -  | ESL11132 | 92NH-N563-AB  | Shaft Lower Link, RH | ⌞ 237670 | - | 1 | 1 |
| 19 | ESL11693 | 92NH-D849-AA  | Washer, Shaft Link   | ⌞ 176045 | - | 4 | 4 |
| 26 | ESL10871 | 93NH-5E063-AA | Seal, Shaft Link     | ⌞ 236772 | - | 2 | 2 |

**DIFFERENTIAL LOCK COUPLING**

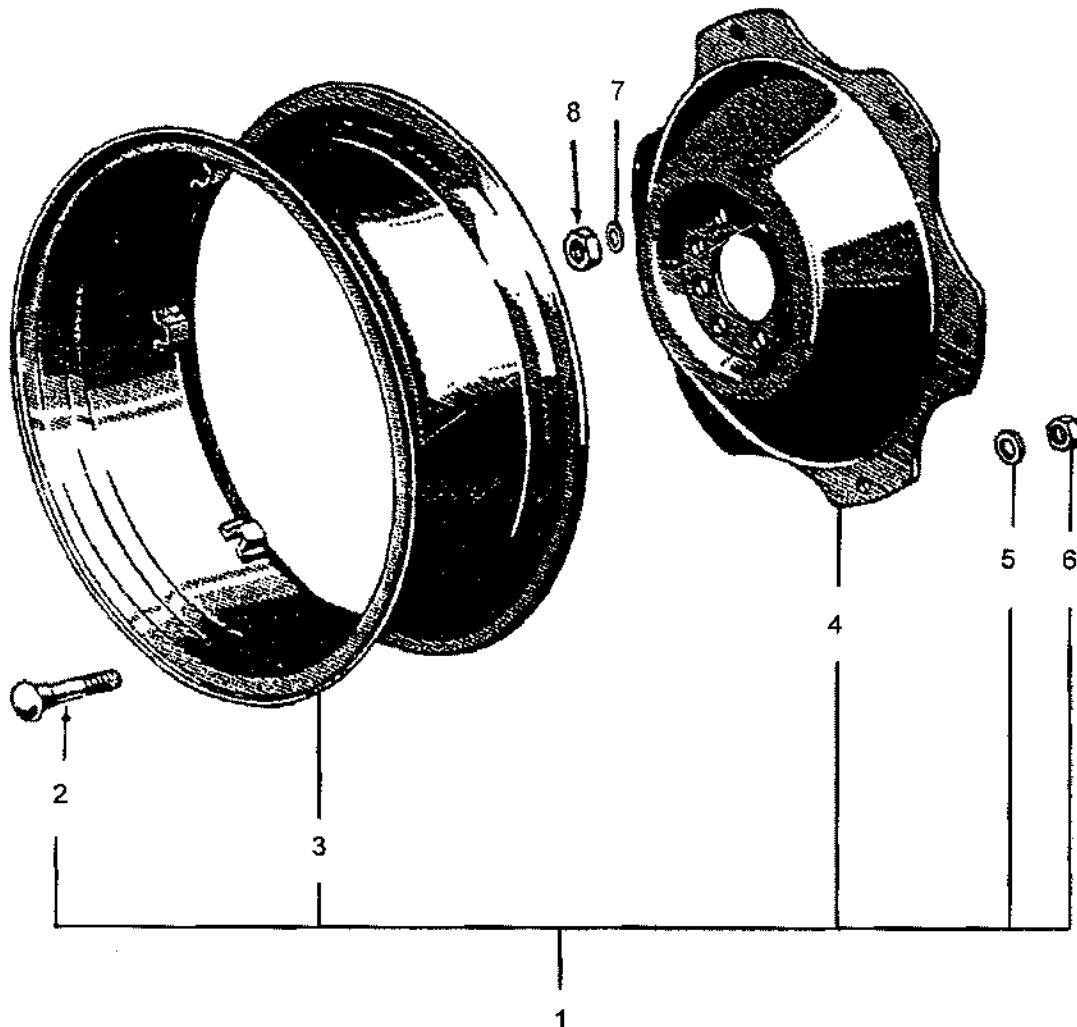
| ITEM | LONG #   | VENDOR #    | DESCRIPTION              | QTY. |    |    |
|------|----------|-------------|--------------------------|------|----|----|
|      |          |             |                          | 35   | 45 | 60 |
| 1    | ESL10918 | D1NN-A788-A | PTO Guard                | 1    | 1  | 1  |
| 2    | ESL10919 | D1NN-P780-A | Support, PTO Guard       | 1    | 1  | 1  |
| 3    | ESL11126 | 2N-608      | Pin Assembly, Linch Lock | 1    | 1  | 1  |



**PTO GUARD KIT**

**35/45/60**

| ITEM | LONG #   | VENDOR #      | DESCRIPTION                  | QTY. |    |    |
|------|----------|---------------|------------------------------|------|----|----|
|      |          |               |                              | 35   | 45 | 60 |
| 1    | ESL14196 | 82835072      | Rear Wheel Assembly (W11)    | 2    | -  | -  |
| -    | ESL10923 | 93NH-1100-BA  | Rear Wheel Assembly (W12)    | -    | 2  | 2  |
| 2    | ESL14479 | 76NH-1N012-AA | Bolt, Rear Wheel Rim to Disc | 12   | 12 | 12 |
| 3    | ESL10921 | 88NH-1050-AA  | Rim, Rear Wheel              | -    | 2  | 2  |
| -    | ESL14480 | 74NH-1050-AA  | Rim, Rear Wheel              | 2    | -  | -  |
| 4    | ESL10920 | 93NH-1017-AA  | Disc, Rear Wheel             | 2    | 2  | 2  |
| 5    | ESL11923 | 88NH-1N020-AA | Washer, Disc to Rim          | 12   | 12 | 12 |
| 6    | ESL11696 | 88NH-1N021-AA | Nut, Disc to Rim             | 12   | 12 | 12 |
| 7    | ESL11695 | 93NH-1N058-AA | Washer, Disc to Rear Axle    | 16   | 16 | 16 |
| 8    | ESL11808 | 93NH-1120-AA  | Nut, Disc to Axle Flange     | 16   | 16 | 16 |



**REAR WHEELS**

---

Notes

35/45/60

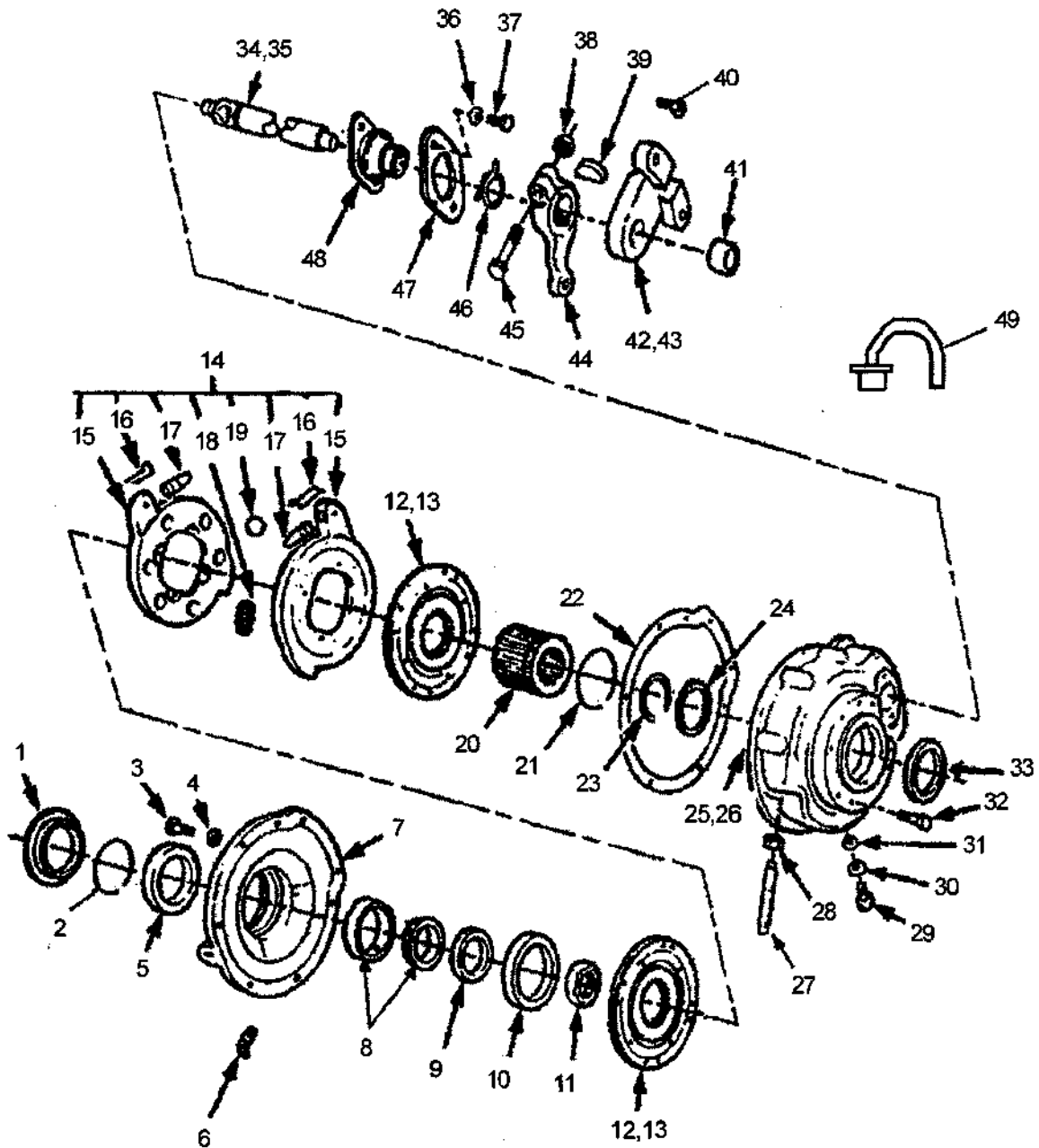
SECTION 9

# ***BRAKE SYSTEM***

 **Long Agribusiness**

COMMON SENSE SOLUTIONS

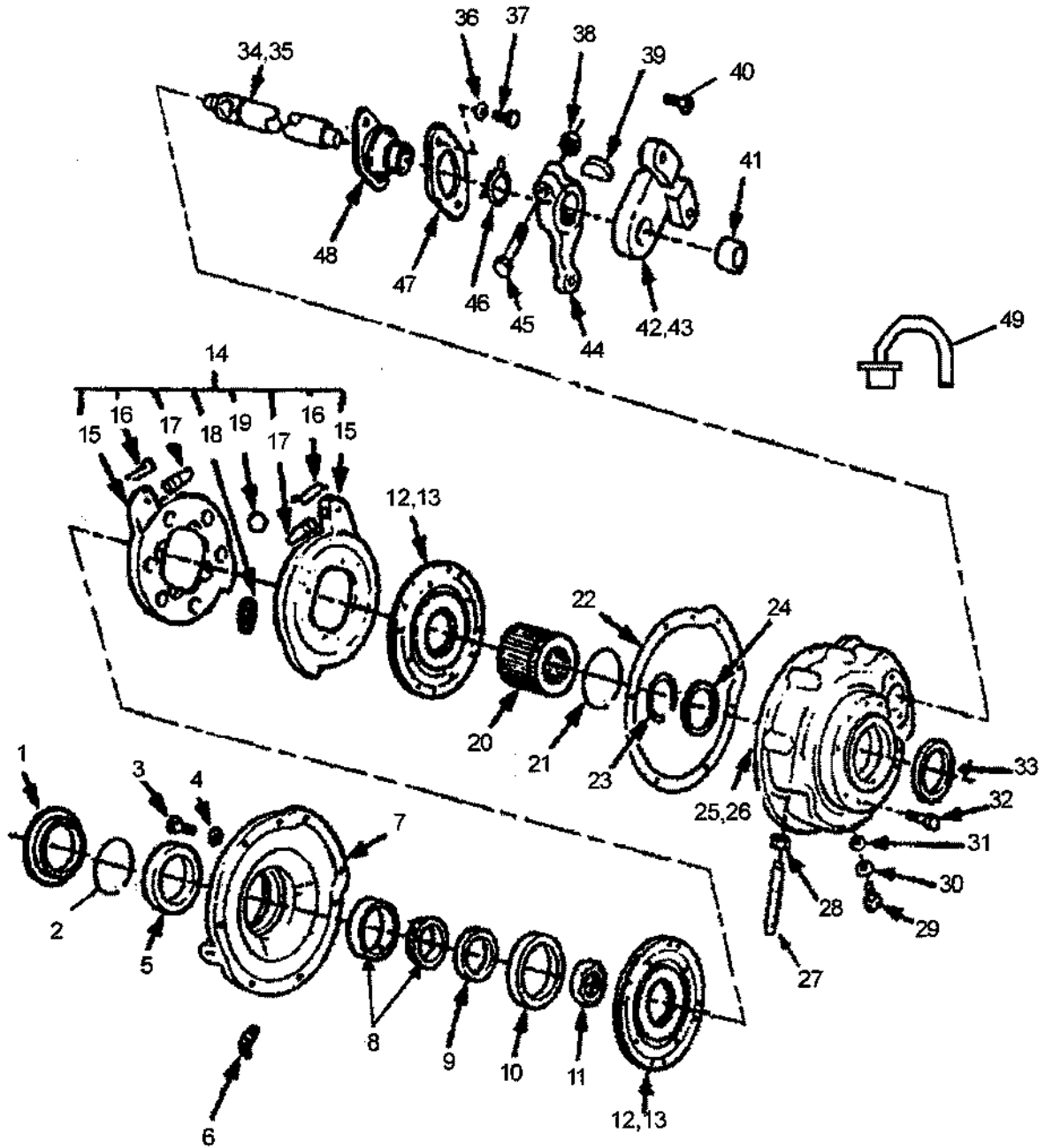
35/45/60



BRAKES - MECHANICAL DISC TYPE



| ITEM | LONG #    | VENDOR #      | DESCRIPTION                                    | QTY. |    |    |
|------|-----------|---------------|--|------|----|----|
|      |           |               |  | 35   | 45 | 60 |
| 1    | ESL10927  | 91NH-2N128-AA | Bush, Rear Axle Housing                        | 2    | 2  | 2  |
| 2    | ESL14481  | 87NH-4N031-AA | Retainer, Seal Outer Housing                   | 2    | 2  | 2  |
| 3    | ESL14482  | 86NH-4N074-AA | Bolt, Hex (1/2 - 13 x 1)                       | 8    | 8  | 8  |
| 4    | ESL11642  | 377490-S36    | Washer, Flat (1/2)                             | 8    | 8  | 8  |
| 5    | ESL10928  | 91NH-2N134-AB | Seal, Outer Housing                            | 2    | 2  | 2  |
| 6    | ESL10929  | 87913-S8      | Grease Nipple                                  | 2    | 2  | 2  |
| 7    | ESL10930  | 91NH-2N127-BA | Housing, Brake Outer                           | 2    | 2  | 2  |
| 8    | ESL10931  | 91NH-4873-AA  | Bearing, Taper Roller                          | 2    | 2  | 2  |
| 9    | ESL10932  | 91NH-4374-BA  | Spacer, Shaft Bearing                          | 2    | 2  | 2  |
| 10   | ESL10933  | 86NH-2N135-AA | Seal, Inner, Rear Axle Shaft                   | 2    | 2  | 2  |
| 11   | ESL11810  | 91NH-4N001-BA | Lock Nut, Rear Axle Bearing                    | 2    | 2  | 2  |
| 12   | ESL10934  | D0NN-2N154-A  | Disc & Lining Assembly, Friction               | 4    | 4  | 4  |
| 13   | ESL10964  | SPF.997.100   | Friction Lining & Rivet Set (For Repairs Only) | 1    | 1  | 1  |
| 14   | ESL10935  | 86NH-2B002-AA | Actuator Assembly, Brake Disc                  | 2    | 2  | 2  |
| 15   | -         | -             | Disc, Brake Actuating (NSS)                    | 4    | 4  | 4  |
| 16   | ESL10939  | D0NN-2N138-A  | Retainer Clip                                  | 4    | 4  | 4  |
| 17   | ESL10938  | D0NN-2N139-A  | Push Rod, Brake Actuator                       | 4    | 4  | 4  |
| 18   | ESL10937  | C5NN-2N320-A  | Spring, Brake Disc Return                      | 8    | 8  | 8  |
| 19   | ESL10936  | D0NN-2N141-A  | Ball, Brake Actuating                          | 2    | 2  | 2  |
| 20   | ESL10941  | 91NH-2N136-AA | Sleeve, Splined                                | 2    | 2  | 2  |
| 21   | ESL10942  | 87NH-2N138-AB | Spring, Disc Brake Sleeve                      | 2    | 2  | 2  |
| 22   | ESL10943  | D0NN-2N129-AA | Gasket, Outer Brake Housing                    | 2    | 2  | 2  |
| 23   | ESL10944  | C0NN-A783-A   | Ring Snap, Brake Camshaft                      | 2    | 2  | 2  |
| 24   | ESL11698  | C9NN-2N132-A  | Washer Thrust, Brake Camshaft                  | 2    | 2  | 2  |
| 25   | ESL10945  | 90NH-2N125-AA | Housing Inner RH, Brake                        | 1    | 1  | 1  |
| 26   | ESL10946  | 90NH-2N124-AA | Housing Inner LH, Brake                        | 1    | 1  | 1  |
| 27   | ESL11875  | 86NH-2N041-AA | Screw Adjusting, Brake                         | 2    | 2  | 2  |
| 28   | 33845-S8  | 33845-S36     | Nut, Hex (1/2 - 13)                            | 2    | 2  | 2  |
| 29   | 304650-S8 | 304650-S36    | Bolt, Hex (3/8 - 16 x 0.75)                    | 2    | 2  | 2  |
| 30   | 44726-S8  | 44726-S36     | Washer, Flat (3/8)                             | 2    | 2  | 2  |
| 31   | ESL11699  | 87NH-4230-AA  | Washer, Spring                                 | 2    | 2  | 2  |
| 32   | ESL11759  | 88NH-2N133-AA | Bolt, Hex (9/16 - 12)                          | 18   | 18 | 18 |
| 33   | ESL10947  | 86NH-4N109-AC | Seal Assembly, Outer                           | 2    | 2  | 2  |
| 34   | ESL10948  | 86NH-2247-AB  | Camshaft, Brake Actuating LH                   | 1    | 1  | 1  |
| 35   | ESL10949  | 86NH-2248-AB  | Camshaft, Brake Actuating RH                   | 1    | 1  | 1  |
| 36   | 34806-S8  | 34806-S36     | Washer, Lock (5/16)                            | 4    | 4  | 4  |
| 37   | 304664-S8 | 304664-S36    | Bolt (5/16 - 18 x 0.88)                        | 4    | 4  | 4  |
| 38   | 34670-S8  | 34670-S36     | Nut, Hex (7/16 - 14)                           | 2    | 2  | 2  |
| 39   | 74188-S8  | 74188-S       | Key (1/4 x 1.25)                               | 2    | 2  | 2  |
| 40   | ESL11760  | C5NN-E987-A   | Bolt, Arm Assembly                             | 2    | 2  | 2  |



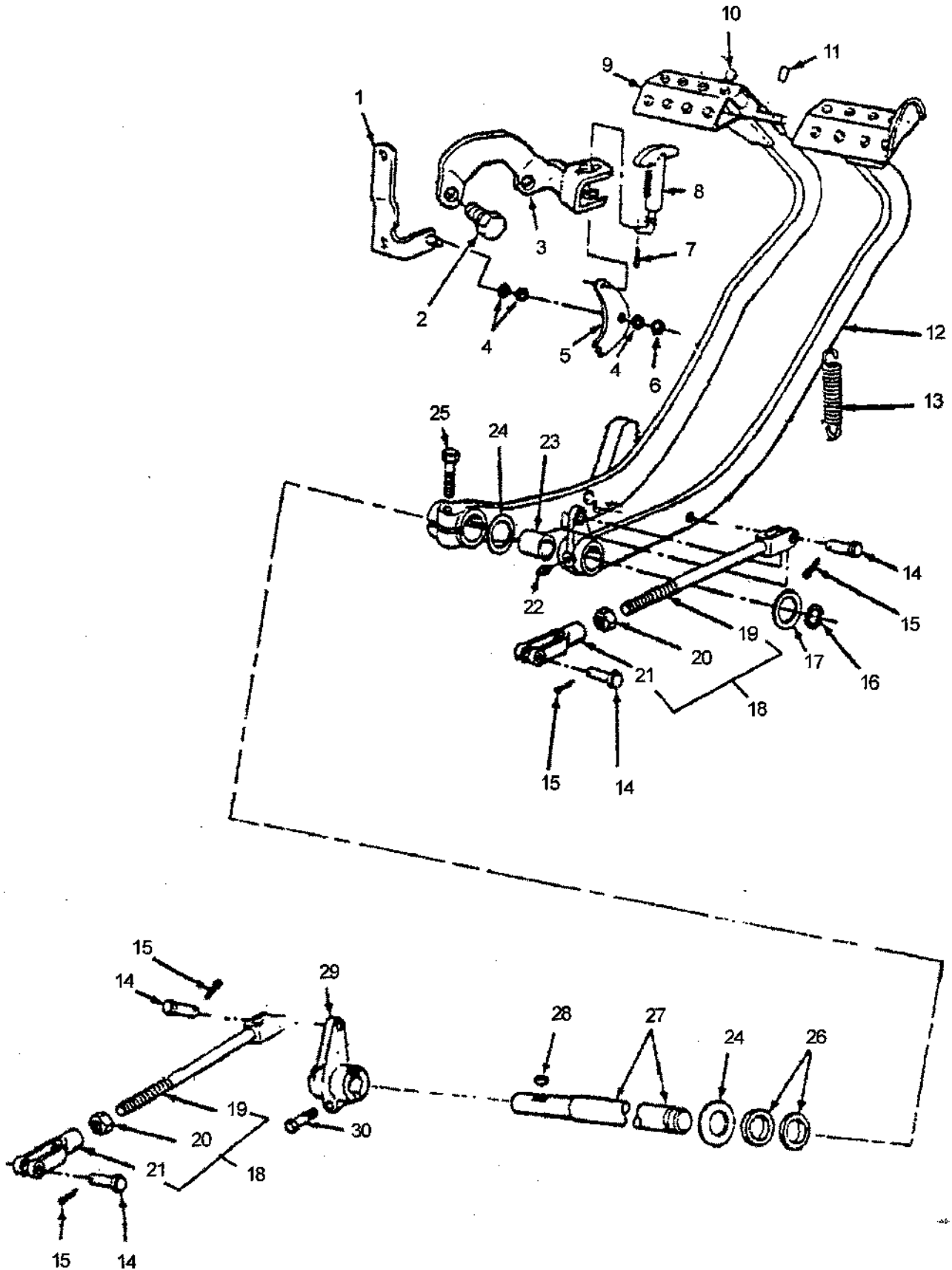
BRAKES - MECHANICAL DISC TYPE

**35/45/60**

| ITEM | LONG #    | VENDOR #     | DESCRIPTION               | QTY. |    |    |
|------|-----------|--------------|---------------------------|------|----|----|
|      |           |              |                           | 35   | 45 | 60 |
| 41   | ESL10956  | 78E-2477     | Bush, Support Arm         | 2    | 2  | 2  |
| 42   | ESL10955  | C9NN-2N120-A | Arm, Camshaft Support, RH | 1    | 1  | 1  |
| 43   | ESL10954  | C9NN-2N121-A | Arm, Camshaft Support, LH | 1    | 1  | 1  |
| 44   | ESL10953  | 86NH-2315-AA | Lever, Brake Camshaft     | 1    | 1  | 1  |
| 45   | 304890-S8 | 304890-S36   | Bolt (7/16 - 14 x 2.50)   | 2    | 2  | 2  |
| 46   | ESL10952  | 97342-S36    | Clamp, Brake Camshaft     | 1    | 1  | 1  |
| 47   | ESL10951  | C9NN-2N131-A | Retainer, Brake Camshaft  | 2    | 2  | 2  |
| 48   | ESL10950  | C9NN-2N117-A | Boot, Brake Camshaft      | 2    | 2  | 2  |
| 49   | ESL10962  | 11-16850-AA  | Tube & Breather Assembly  | 2    | 2  | 2  |

**BRAKES - MECHANICAL DISC TYPE**

35/45/60



**BRAKE CONTROLS**

| ITEM | LONG #    | VENDOR #      | DESCRIPTION                     | QTY. |    |    |
|------|-----------|---------------|---------------------------------|------|----|----|
|      |           |               |                                 | 35   | 45 | 60 |
| 1    | ESL10966  | E2NN-2N652-AA | Bracket, Parking Pawl           | 1    | 1  | 1  |
| 2    | 304724S8  | 304724-S36    | Bolt, Hex (7/16 - 14 x 1.25)    | 2    | 2  | 2  |
| -    | 304686-S8 | 304686-S36    | Bolt, Hex (7/16 - 14 x 1.00)    | 2    | 2  | 2  |
| 3    | ESL10969  | D6NN-2795-A   | Bracket, Parking Brake Control  | 1    | 1  | 1  |
| 4    | 354235-S8 | 354235-S36    | Washer, Flat (1/2)              | 3    | 3  | 3  |
| 5    | ESL10970  | C5NN-2N430-A  | Pawl, Parking Brake Lever       | 1    | 1  | 1  |
| 6    | ESL10971  | 97413-S36     | Ring Retaining (1/2)            | 1    | 1  | 1  |
| 7    | 72003-S8  | 72003-S8      | Pin Cotter (1/16 x 1/2)         | 1    | 1  | 1  |
| 8    | ESL10967  | 79NH-2824-AA  | Rod, Parking Brake Control      | 1    | 1  | 1  |
| 9    | ESL10979  | 92NH-2A186-AA | Pedal Assembly, Brake LH        | 1    | 1  | 1  |
| 10   | ESL10978  | C7NN-2N145-A  | Handle, Brake Pedal Interlock   | 1    | 1  | 1  |
| 11   | ESL11924  | 305023-S      | Pin, Spring Roll (1/8 x 4.37)   | 1    | 1  | 1  |
| 12   | ESL10980  | 87NH-2455-AA  | Pedal Assembly, Brake RH        | 1    | 1  | 1  |
| 13   | ESL13342  | C5NN-2472-B   | Spring, Pedal Retainer          | 2    | 2  | 2  |
| 14   | 73919-S8  | 73919-S36     | Pin, Clevis (3/8 x 1.14)        | 4    | 4  | 4  |
| 15   | 72017-S8  | 72017-S8      | Pin, Cotter (1/8 x 0.75)        | 4    | 4  | 4  |
| 16   | ESL10983  | E27N-7547     | Lock Ring, Pedal Shaft          | 1    | 1  | 1  |
| 17   | ESL11701  | 77NH-2N547-A  | Washer Thrust, Pedal Shaft      | 1    | 1  | 1  |
| 18   | ESL10984  | 86NH-2463-AA  | Rod & Clevis Assembly           |      |    |    |
| 19   | -         | -             | Rod Clevis, Brake Control (NSS) | 2    | 2  | 2  |
| 20   | 33925-S8  | 33925-S36     | Nut, Hex (3/8 - 24)             | 2    | 2  | 2  |
| 21   | 97013-S8  | 97013-S36     | Clevis (3/8 - 24 x 2.50)        | 2    | 2  | 2  |
| 22   | ESL10868  | 87907-S36     | Grease Nipple (1/4 - 28)        | 1    | 1  | 1  |
| 23   | ESL10847  | SPF.987.000   | Bush Set, Brake Pedal Shaft     | 1    | 1  | 1  |
| 24   | ESL11700  | C5NN-2N547-B  | Washer, Brake Pedal Shaft       | 2    | 2  | 2  |
| 25   | 304743-S8 | 304743-S36    | Bolt, Hex (7/16 - 14 x 1 3/8)   | 1    | 1  | 1  |
| 26   | ESL10977  | 91NH-2N289-AA | Seal, Brake Pedal Shaft         | 2    | 2  | 2  |
| 27   | ESL10974  | D9NN-2N337-FA | Shaft, Brake Cross              | 1    | 1  | 1  |
| 28   | 74181-S8  | 74181-S       | Key, Lever to Shaft (1/4 x 7/8) | 2    | 2  | 2  |
| 29   | ESL10972  | D2NN-2N511-C  | Lever, Pedal Shaft to Clevis    | 1    | 1  | 1  |
| 30   | 58655-S8  | 58655-S36     | Bolt, Hex (7/16 - 14 x 1.50)    | 1    | 1  | 1  |

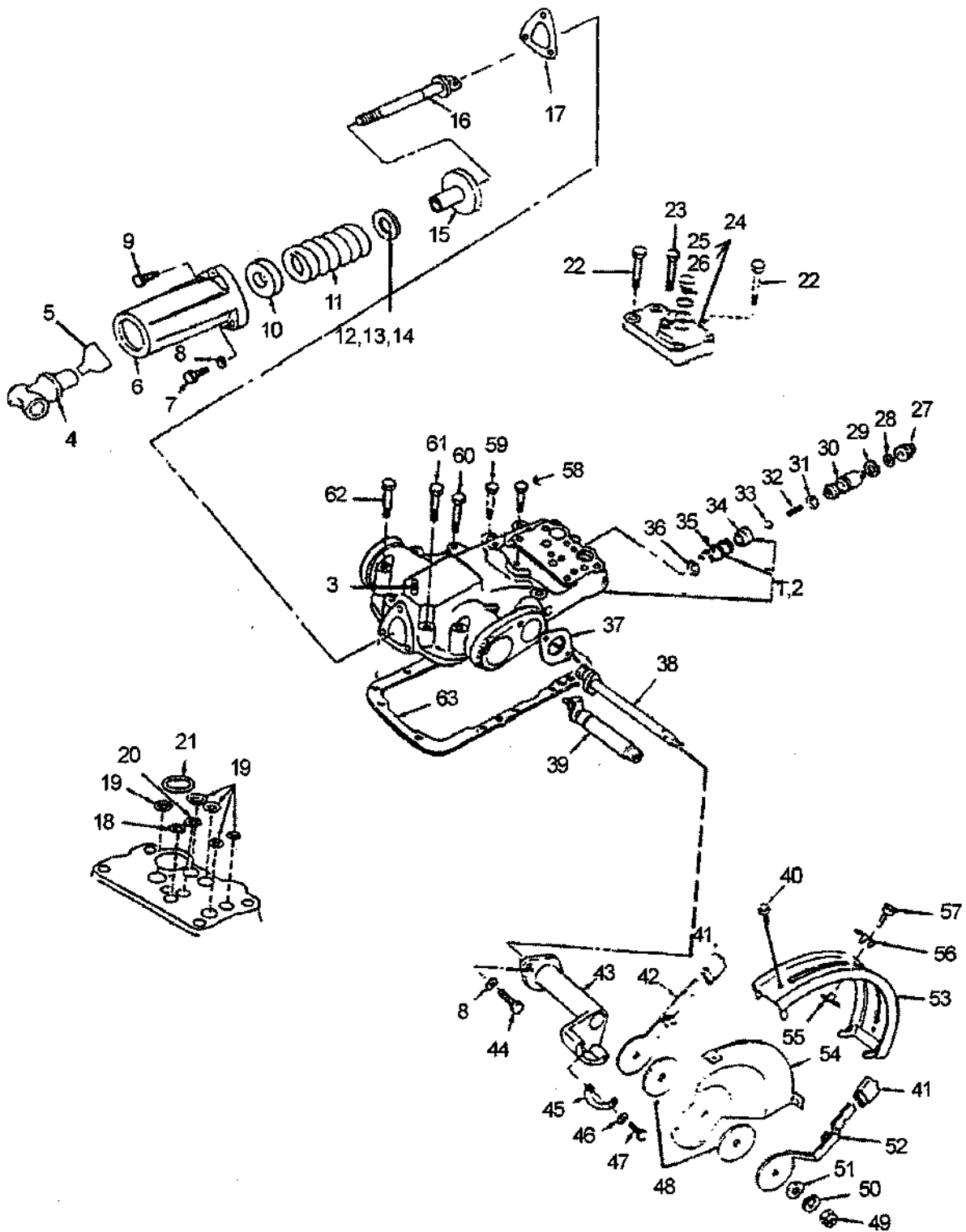
**BRAKE CONTROLS**

---

# Notes

---

# *HYDRAULICS SYSTEM*

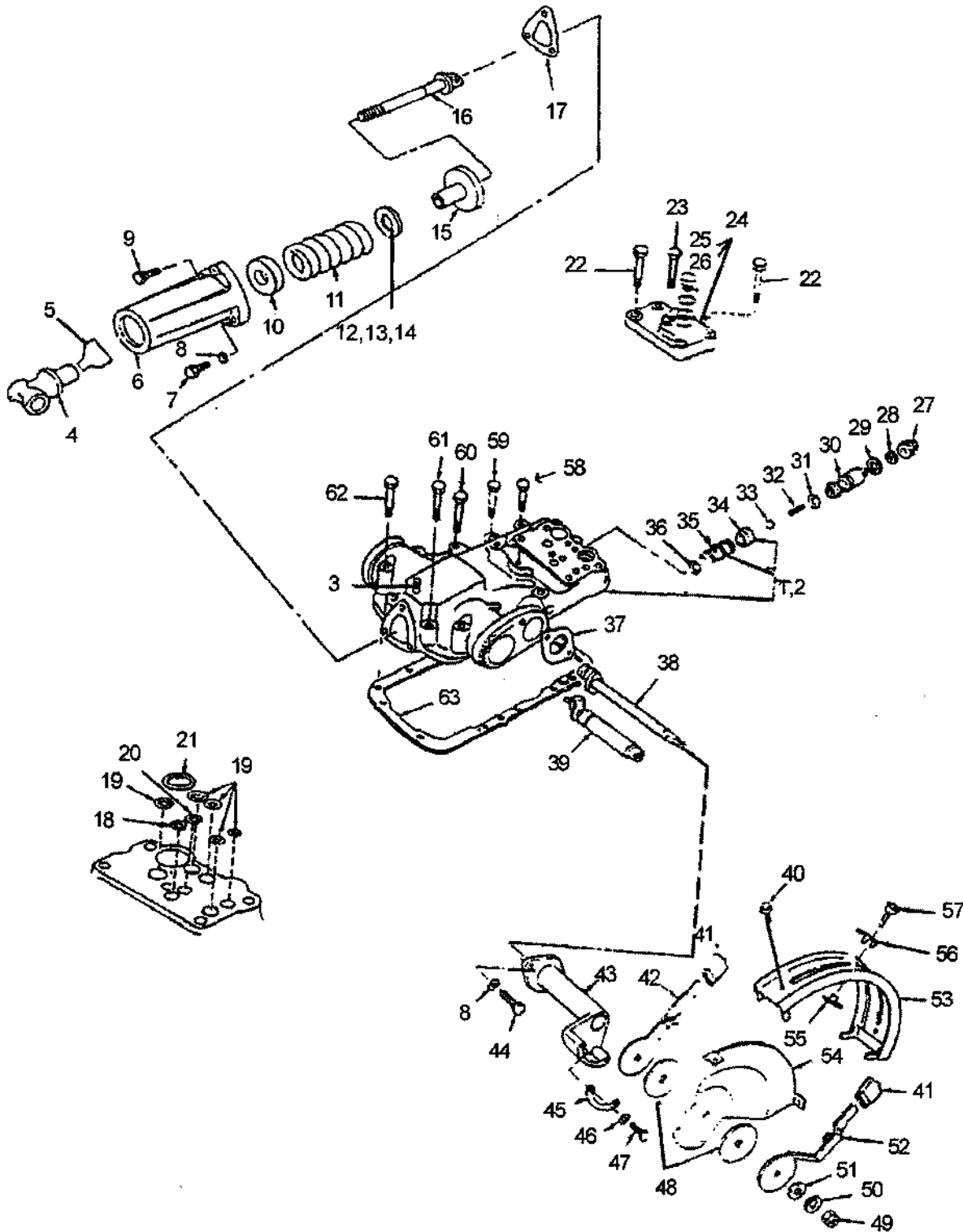


**HYDRAULIC LIFT COVER**



| ITEM | LONG #    | VENDOR #      | DESCRIPTION  | QTY. |    |    |
|------|-----------|---------------|--|------|----|----|
|      |           |               |  | 35   | 45 | 60 |
| 1    | ESL11028  | 82835339      | Hydraulic Lift Assembly<br>(Includes Items #2-21, 27-54&59 of Section 10:1<br>and all items of Section 10:2 except Items #5-7) | 1    | 1  | 1  |
| 2    | ESL10985  | 89NH-537-AA   | Top Cover, Hydraulic Lift  | 1    | 1  | 1  |
| 3    | ESL12496  | 89NH-669-AA   | Pin  | 1    | 1  | 1  |
| 4    | ESL11014  | 92NH-546-AA   | Yoke, Hydraulic Lift   | 1    | 1  | 1  |
| 5    | ESL11016  | 93NH-C546-AA  | Boot Yoke, Hydraulic Lift  | 1    | 1  | 1  |
| 6    | ESL11017  | 92NH-N905-AA  | Housing, Draft Control   | 1    | 1  | 1  |
| 7    | ESL11909  | 381714-S36    | Bolt (7/16 - 14 x 2.88)  | 2    | 2  | 2  |
| 8    | 34793-S8  | 34793-S36     | Washer, Lock (7/16)  | 3    | 3  | 3  |
| 9    | ESL11763  | 82NH-4N032-AA | Bolt   | 1    | 1  | 1  |
| 10   | ESL11018  | C5NN-A965-B   | Seat, Draft Control Spring   | 1    | 1  | 1  |
| 11   | ESL11019  | C5NN-547-B    | Spring, Lift Draft Control   | 1    | 1  | 1  |
| 12   | ESL11020  | C5NN-K834-B   | Shim, Draft Control (0.015)  | AR   | AR | AR |
| 13   | ESL11021  | C5NN-K834-C   | Shim, Draft Control (0.020)  | AR   | AR | AR |
| 14   | ESL11022  | C5NN-K834-D   | Shim, Draft Control (0.025)  | AR   | AR | AR |
| 15   | ESL11023  | C5NN-525-B    | Seat, Hydraulic Lift Spring  | 1    | 1  | 1  |
| 16   | ESL11024  | E9NN-541-AA   | Plunger, Draft Control   | 1    | 1  | 1  |
| 17   | ESL11025  | 93NH-C905-AA  | Gasket, Draft Control Housing  | 1    | 1  | 1  |
| 18   | ESL10011  | 87012-S95     | Seal 'O' Ring (0.5 x 0.07)   | 1    | 1  | 1  |
| 19   | ESL10008  | 87034-S95     | Seal 'O' Ring (9/16 x 0.103)   | 5    | 5  | 5  |
| 20   | ESL10010  | 87010-S95     | Seal 'O' Ring (0.437 x 0.07)   | 1    | 1  | 1  |
| 21   | ESL10992  | 87044-S95     | Seal 'O' Ring (13/16 x 0.103)  | 1    | 1  | 1  |
| 22   | 379409-S8 | 379409-S36    | Bolt (7/16 - 14)   | 2    | 2  | -  |
| 23   | 304777-S8 | 304777-S36    | Bolt, Hex (5/16 - 18 x 1.5)  | 1    | 1  | -  |
| 24   | ESL10989  | C5NN-475-B    | Cover Assembly, Hydraulic Lift<br>(Includes Items #25,26)  | 1    | 1  | -  |
| 25   | 371433-S8 | 371433-S36    | Bolt, Hex (9/16 - 18 x 0.62)   | 1    | 1  | -  |
| 26   | ESL10990  | C5NN-N991-B   | Seal, ASC Cover (9/16)   | 1    | 1  | -  |
| 27   | ESL11008  | 957E-832      | Plug, Lift Check Valve   | 1    | 1  | 1  |
| 28   | ESL11010  | E0NN-N475-AA  | Seal (0.364 x 0.066)   | 2    | 2  | 2  |
| 29   | ESL11011  | E0NN-N475-BA  | Seal (0.489 x 0.066)   | 2    | 2  | 2  |
| 30   | ESL11009  | E0NN-N482-AA  | Retainer, Lift Check Valve   | 1    | 1  | 1  |
| 31   | ESL10901  | 87035-S95     | 'O'Ring (0.62 x 0.13)  | 1    | 1  | 1  |
| 32   | ESL11012  | D3NN-645-A    | Spring, Lift Check Valve   | 1    | 1  | 1  |
| 33   | ESL11013  | 351666-S      | Ball (15/32)   | 1    | 1  | 1  |
| 34   | ESL10986  | 89NH-N895-AA  | Seat, Check Valve  | 1    | 1  | 1  |
| 35   | ESL10987  | D8NN-P910-AA  | Sleeve, Check Valve  | 1    | 1  | 1  |
| 36   | ESL10988  | 87016-S35     | 'O' Ring, Seal   | 1    | 1  | 1  |
| 37   | ESL10998  | 957E-532      | Gasket   | 1    | 1  | 1  |

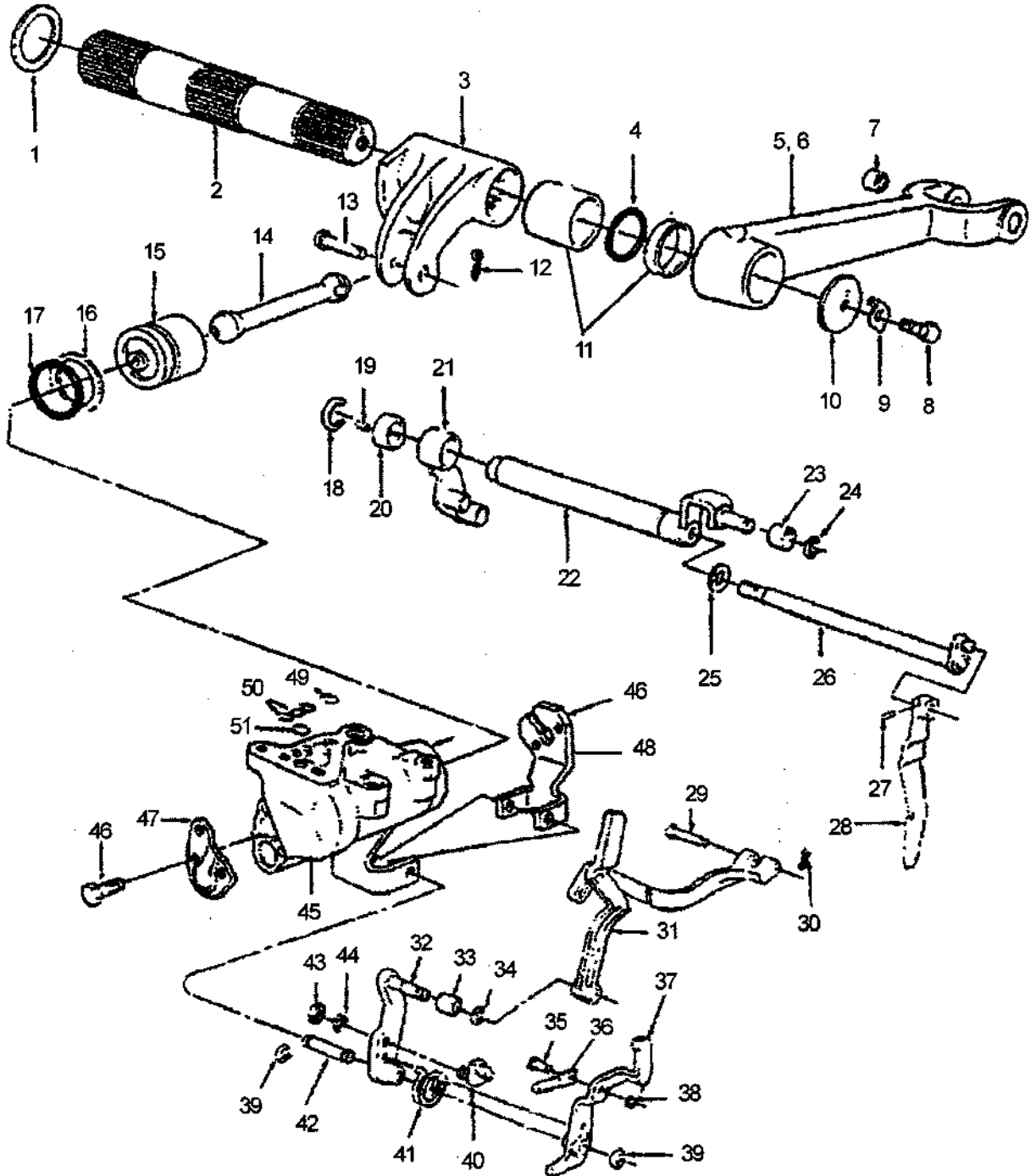
**HYDRAULIC LIFT COVER**



**HYDRAULIC LIFT COVER**

| ITEM | LONG #    | VENDOR #     | DESCRIPTION                     | QTY. |    |    |
|------|-----------|--------------|---------------------------------|------|----|----|
|      |           |              |                                 | 35   | 45 | 60 |
| 38   | ESL10996  | E1NN-517-AA  | Shaft, Lift Control Lever       | 1    | 1  | 1  |
| 39   | ESL10994  | D3NN-B911-B  | Shaft, Draft Selection          | 1    | 1  | 1  |
| 40   | 56801-S8  | 56301-S2     | Bolt, Hex Head (1/4 - 20 x 0.5) | 2    | 2  | 2  |
| 41   | ESL11005  | 87NH-L892-AA | Knob, Handle                    | 2    | 2  | 2  |
| 42   | ESL11003  | E0NN-B505-DA | Handle, Draft Control           | 1    | 1  | 1  |
| 43   | ESL10997  | D3NN-F982-A  | Quadrant, Lift Control          | 1    | 1  | 1  |
| 44   | 304686-S8 | 304686-S36   | Bolt, Hex (7/16 - 14 x 1.00)    | 2    | 2  | 2  |
| 45   | ESL11001  | D3NN-J977-A  | Spacer, Control Lever           | AR   | AR | AR |
| 46   | 34792-S8  | 34792-S36    | Washer, Lock (3/8)              | 2    | 2  | 2  |
| 47   | 304722-S8 | 304722-S36   | Bolt, Hex (3/8 - 16 x 1.25)     | 2    | 2  | 2  |
| 48   | ESL10999  | C5NN-518-B   | Disc, Lift Control Friction     | 2    | 2  | 2  |
| 49   | 34422-S8  | 34422-S36    | Nut, Hex Lock (7/16 - 20)       | 1    | 1  | 1  |
| 50   | ESL11703  | E1ADDN-522-B | Washer, Spring                  | 1    | 1  | 1  |
| 51   | ESL11702  | C7NN-A611-A  | Washer, Shaft Cup               | 1    | 1  | 1  |
| 52   | ESL11004  | E0NN-D943-CA | Handle, Position Control        | 1    | 1  | 1  |
| 53   | ESL11002  | D3NN-N625-A  | Quadrant, Lift Control          | 1    | 1  | 1  |
| 54   | ESL11000  | D3NN-516-A   | Plate, Lift Control             | 1    | 1  | 1  |
| 55   | 34464-S8  | 34464-S36    | Nut, Tee                        | 1    | 1  | 1  |
| 56   | ESL11006  | D4NN-534-A   | Stop, Lift Control Lever        | 1    | 1  | 1  |
| 57   | ESL11007  | 77NH-A906-A  | Knob, Lift Control Stop         | 1    | 1  | 1  |
| 58   | 58655-S8  | 58655-S36    | Bolt, Hex (7/16 - 14 x 1.50)    | 3    | 3  | 3  |
| 59   | 379414-S8 | 379414-S36   | Bolt, Hex (7/16 - 20 x 1.75)    | 3    | 3  | 3  |
| 60   | 58657-S8  | 58657-S36    | Bolt, Hex (7/16 - 14 x 2.00)    | 1    | 1  | 1  |
| 61   | 58662-S8  | 58662-S36    | Bolt, Hex (7/16 - 14 x 3.25)    | 4    | 4  | 2  |
| 62   | 58663-S8  | 58663-S36    | Bolt, Hex (7/16 - 14 x 3.50)    | 5    | 5  | 5  |
| 63   | ESL10841  | C5NN-502-A   | Gasket, Hydraulic Lift Cover    | 1    | 1  | 1  |

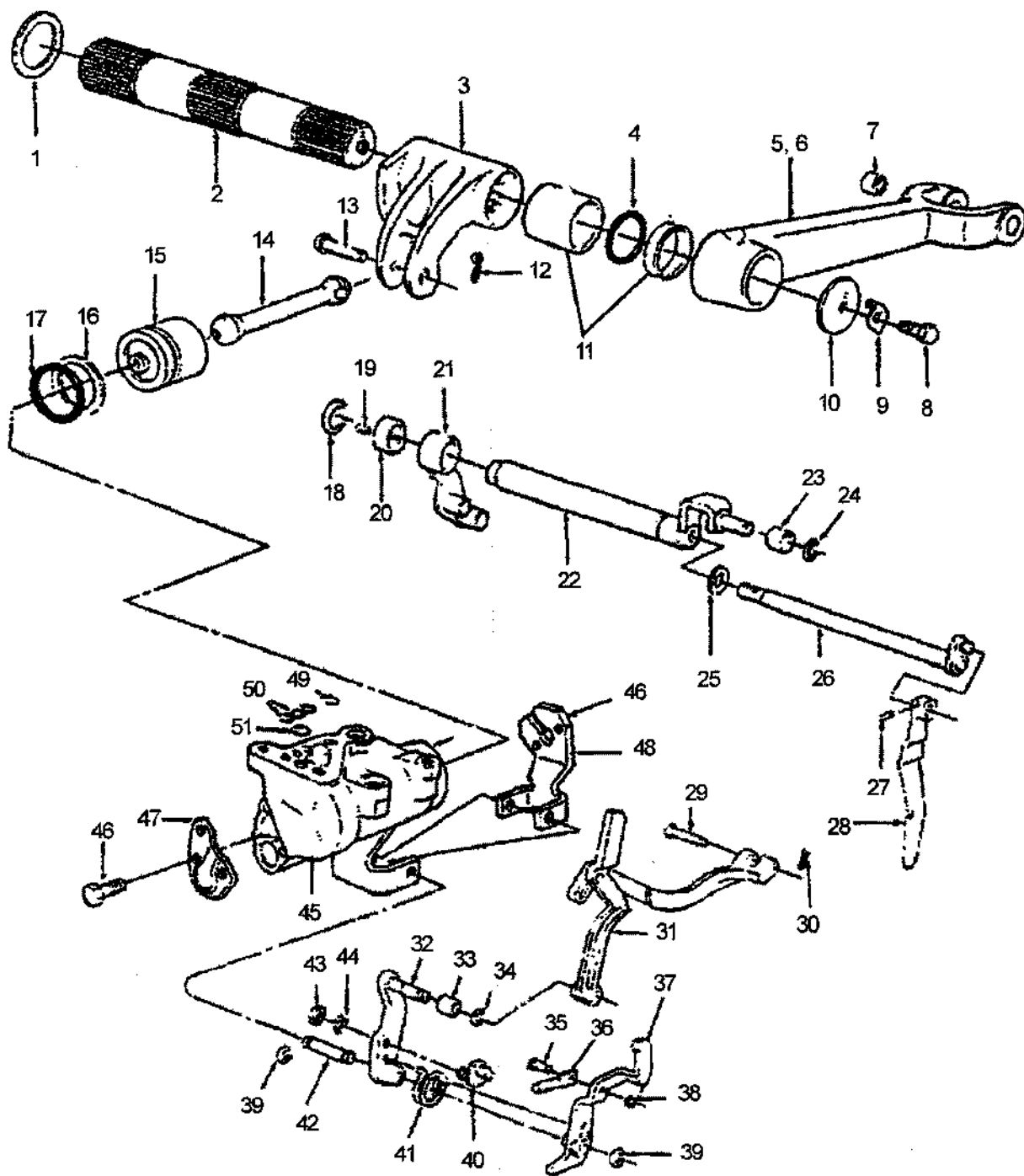
**HYDRAULIC LIFT COVER**



**HYDRAULIC LIFT SHAFTS**

| ITEM | LONG #    | VENDOR #     | DESCRIPTION                                    | QTY. |    |    |
|------|-----------|--------------|--|------|----|----|
|      |           |              |  | 35   | 45 | 60 |
| 1    | ESL11704  | E117-GF9     | Washer, Lift Shaft Thrust                      | 1    | 1  | 1  |
| 2    | ESL11070  | 80NH-544-AA  | Shaft, Hydraulic Lift                          | 1    | 1  | 1  |
| 3    | ESL11069  | 83NH-545-AA  | Arm, Hydraulic Lift Ram                        | 1    | 1  | 1  |
| 4    | ESL11073  | 87106-S94    | 'O' Ring (2.00 x 0.21)                         | 2    | 2  | 2  |
| 5    | ESL11074  | 92NH-B920-AA | Arm Assembly RH, Hydraulic (Includes Item #7)  | 1    | 1  | 1  |
| 6    | ESL11075  | 92NH-B921-AA | Arm Assembly LH, Hydraulic (Includes Item #7)  | 1    | 1  | 1  |
| 7    | ESL11076  | E27N-994609  | Bush, Hydraulic Lift Arm                       | 4    | 4  | 4  |
| 8    | 304689-S8 | 304689-S36   | Bolt, Hex Head (1/2 - 20 x 1.00)               | 2    | 2  | 2  |
| 9    | ESL11706  | 957E-550     | Washer, Lock                                   | 2    | 2  | 2  |
| 10   | ESL11705  | 957E-551     | Washer   | 2    | 2  | 2  |
| 11   | ESL11098  | SPF.975.000  | Bush, Hydraulic Lift Shaft (Consist of 2 each) | 2    | 2  | 2  |
| 12   | 72005-S8  | 72005-S8     | Pin, Cotter (1/8 x 0.50)                       | 1    | 1  | 1  |
| 13   | 74034-S8  | 74034-S36    | Pin, Clevis (5/16 x 2.0)                       | 1    | 1  | 1  |
| 14   | ESL11077  | 88NH-526-AA  | Rod, Connecting Hydraulic Lift                 | 1    | 1  | 1  |
| 15   | ESL11078  | C5NN-530-B   | Piston, Hydraulic Lift Cylinder                | 1    | 1  | 1  |
| 16   | ESL11079  | NCA-533-A    | 'O' Ring, Hydraulic Lift Piston                | 1    | 1  | 1  |
| 17   | ESL11080  | D1NN-473-C   | Sealing Ring, Hydraulic Lift Piston            | 1    | 1  | 1  |
| 18   | ESL11085  | 97480-S36    | Ring, Control Shaft Retainer                   | 1    | 1  | 1  |
| 19   | ESL11211  | 74142-S      | Key, Cam                                       | 1    | 1  | 1  |
| 20   | ESL10995  | D3NN-N970-A  | Cam, FC Valve Override Actuator                | 1    | 1  | 1  |
| 21   | ESL11084  | D4NN-J978-A  | Lever Assembly, Lift Position Control          | 1    | 1  | 1  |
| 22   | ESL10994  | D3NN-B911-B  | Shaft Assembly, Draft Control Selection        | 1    | 1  | 1  |
| 23   | ESL11082  | D3NN-J835-D  | Roller, Lift Position Cam                      | 1    | 1  | 1  |
| 24   | ESL11083  | 97468-S      | Ring, Retainer (3/8)                           | 1    | 1  | 1  |
| 25   | ESL11707  | D3NN-N533-B  | Washer, Lift Shaft Thrust                      | 1    | 1  | 1  |
| 26   | ESL10996  | E1NN-517-AA  | Shaft, Lift Control Lever                      | 1    | 1  | 1  |
| 27   | 305052-S8 | 305052-S2    | Pin, Spring Roll (1/8 x 0.75)                  | 1    | 1  | 1  |
| 28   | ESL11086  | D3NN-519-A   | Lever, Hydraulic Lift Control                  | 1    | 1  | 1  |
| 29   | 379276-S8 | 379276-S36   | Pin, Clevis (3/8 - 1 - 21/32)                  | 1    | 1  | 1  |
| 30   | 72017-S8  | 72017-S8     | Pin, Cotter (1/8 - 0.75)                       | 1    | 1  | 1  |
| 31   | ESL11088  | D4NN-B503-B  | Lever Assembly, Draft Control                  | 1    | 1  | 1  |
| 32   | ESL11087  | D5NN-504-A   | Lever Assembly, Lift Control Valve             | 1    | 1  | 1  |
| 33   | ESL11089  | D3NN-J835-C  | Roller, Cam Flow                               | 1    | 1  | 1  |
| 34   | 97470-S8  | 97470-S36    | Ring, Snap (7/16)                              | 2    | 2  | 2  |
| 35   | ESL11094  | D3NN-F869-D  | Pin, Lift Actuator Pivot                       | 1    | 1  | 1  |
| 36   | ESL11093  | D3NN-B501-A  | Actuator, Lift Valve                           | 1    | 1  | 1  |
| 37   | ESL11092  | D4NN-A876-A  | Lever, Lift Control Valve                      | 1    | 1  | 1  |
| 38   | 97410-S   | 97410-S      | Ring, Retaining (5/16)                         | 1    | 1  | 1  |
| 39   | 97413-S8  | 97413-S36    | Ring, Retaining (1/2)                          | 2    | 2  | 2  |
| 40   | ESL11091  | D3NN-517-A   | Shaft, Hydraulic Lift Control Lever            | 1    | 1  | 1  |

**HYDRAULIC LIFT SHAFTS**



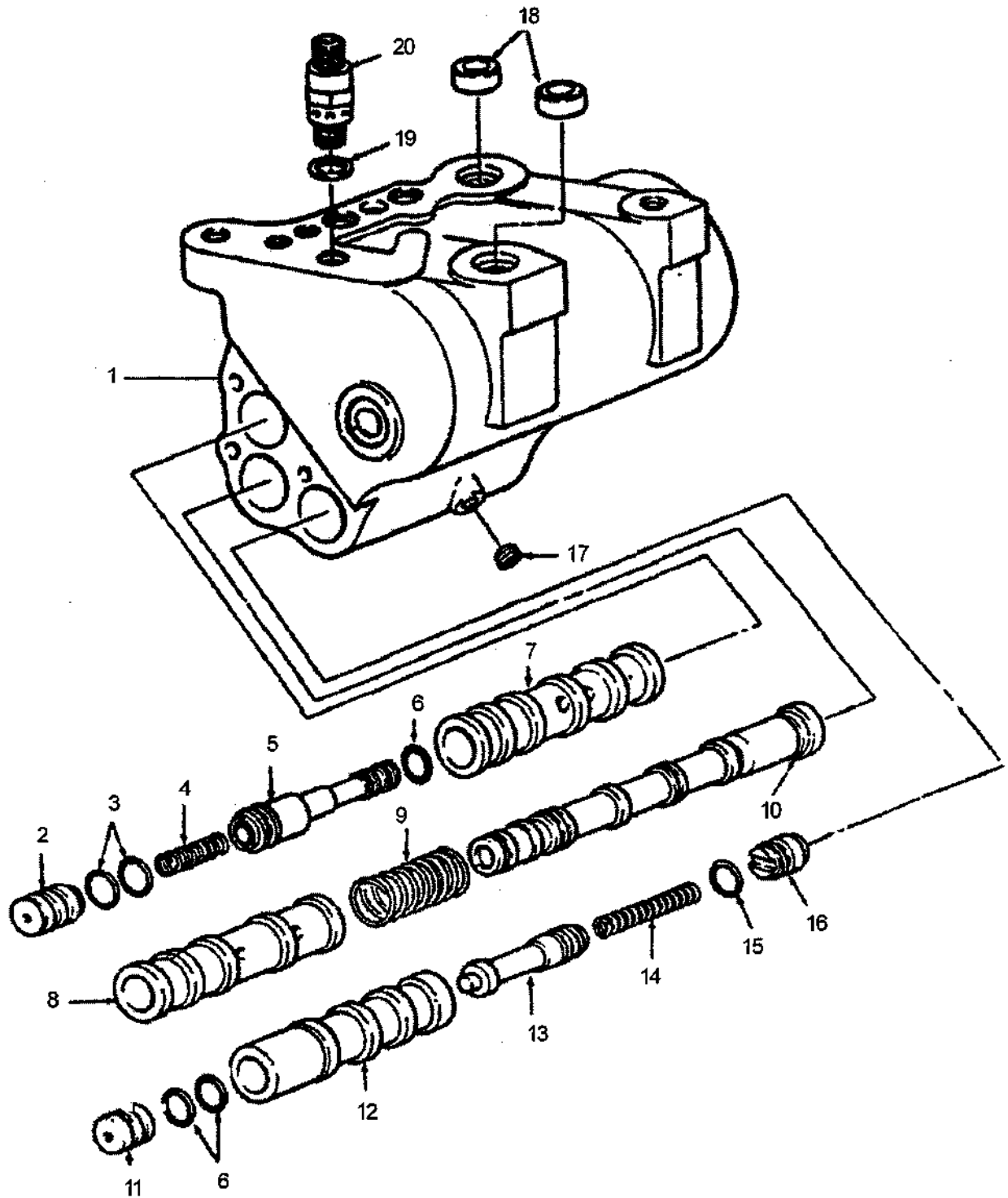
**HYDRAULIC LIFT SHAFTS**

| ITEM | LONG #    | VENDOR #    | DESCRIPTION  | QTY. |    |    |
|------|-----------|-------------|--|------|----|----|
|      |           |             |  | 35   | 45 | 60 |
| 41   | ESL11096  | D3NN-J985-A | Spring, Lift Control Valve                           | 1    | 1  | 1  |
| 42   | ESL11094  | D3NN-F869-D | Pin, Lift Actuator Pivot                             | 1    | 1  | 1  |
| 43   | 33799-S8  | 33799-S6    | Nut, Hex (3/8-16)                                    | 1    | 1  | 1  |
| 44   | 34792-S8  | 34792-S36   | Washer, Lock (3/8)                                   | 1    | 1  | 1  |
| 45   | ESL11067  | 84NH-477-AA | Cylinder & Valve Assembly<br>(Includes Items #46-48) | 1    | 1  | 1  |
| 46   | 389873-S8 | 389873-S2   | Bolt, Hex Flange (5/16 - 18 x 0.75)                  | 6    | 6  | 6  |
| 47   | ESL11081  | E0NN-848-AB | Baffle, Lift Cylinder Oil                            | 1    | 1  | 1  |
| 48   | ESL11066  | E0NN-921-BB | Plate, Valve Retainer, Rear                          | 1    | 1  | 1  |
| 49   | ESL10011  | 87012-S95   | Seal 'O'Ring   | 2    | 2  | 2  |
| 50   | 87006-S95 | 87006-S95   | Seal 'O'Ring   | 2    | 2  | 2  |
| 51   | ESL10010  | 87010-S95   | Seal 'O'Ring   | 1    | 1  | 1  |

---

**HYDRAULIC LIFT SHAFTS**


---

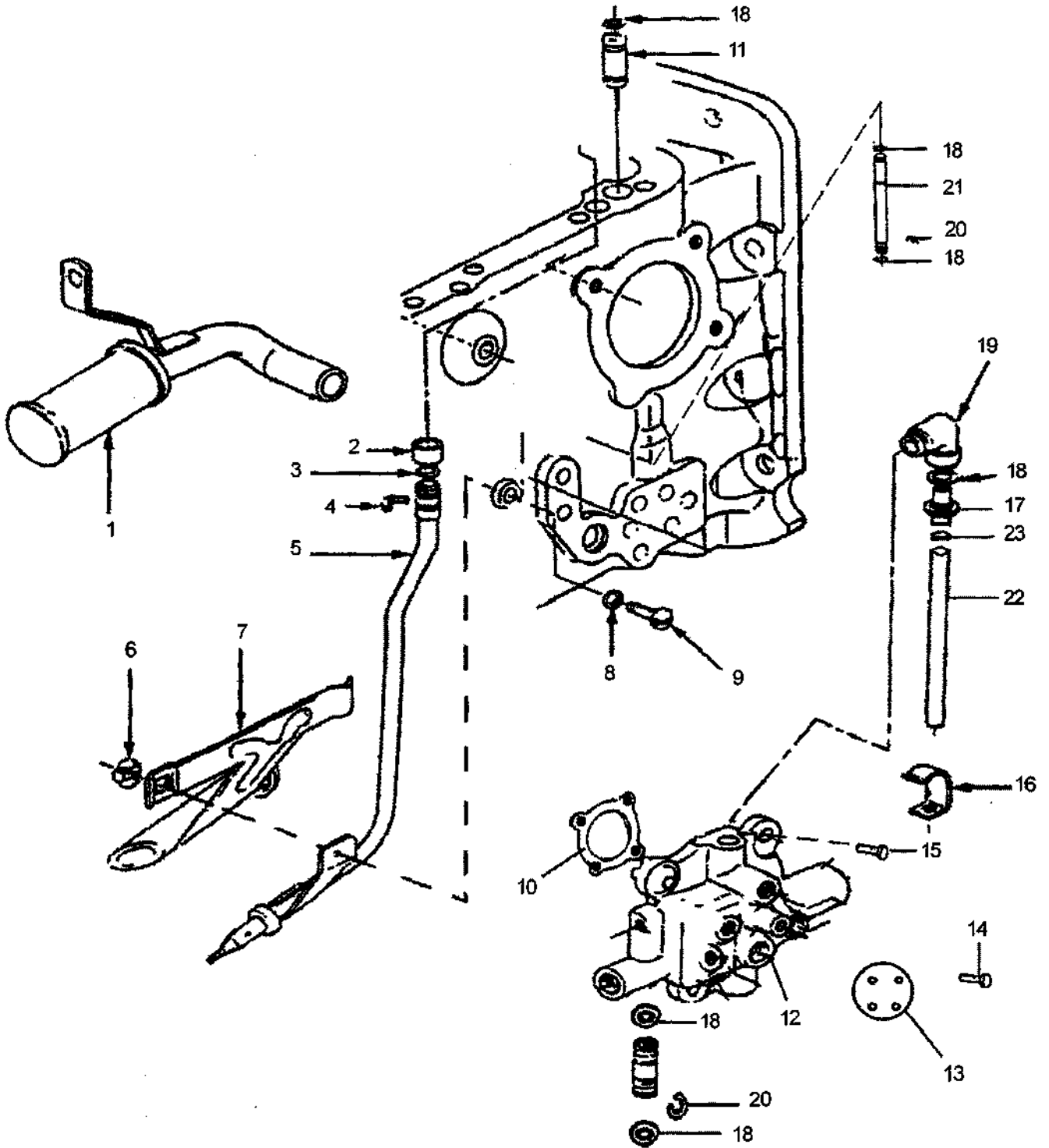


**HYDRAULIC LIFT CYLINDER**



| ITEM | LONG #   | VENDOR #     | DESCRIPTION  | QTY. |    |    |
|------|----------|--------------|--|------|----|----|
|      |          |              |  | 35   | 45 | 60 |
| 1    | ESL10067 | 84NH-477-AA  | Cylinder & Valve Assembly (See Section 9:2 for Details. Also includes all items of this section) | 1    | 1  | 1  |
| 2    | ESL11029 | D3NN-916-K   | Plug, Lift Unload Valve  | 1    | 1  | 1  |
| 3    | ESL11030 | 87014-S95    | 'O' Ring (0.562 x 0.07)  | 2    | 2  | 2  |
| 4    | ESL11031 | D3NN-K841-A  | Spring, Lift Unload Valve  | 1    | 1  | 1  |
| 5    | ESL11032 | E0NN-482-AB  | Valve Unload, Hydraulic Lift   | 1    | 1  | 1  |
| 6    | ESL10011 | 87012-S95    | 'O' Ring (0.5 x 0.07)  | 3    | 3  | 3  |
| 7    | -        | -            | Bushing, Unload Valve Rear (NSS)   | 1    | 1  | 1  |
| 8    | -        | -            | Bushing, Control Valve (NSS)   | 1    | 1  | 1  |
| 9    | ESL11061 | C5NN-924-A   | Spring, Control Valve  | 1    | 1  | 1  |
| 10   | -        | -            | Valve & Sleeve Assembly (White) (NSS)  | 1    | 1  | 1  |
| 11   | ESL11046 | E0NN-F947-A  | Plug, Lift Feathering Valve  | 1    | 1  | 1  |
| 12   | -        | -            | Bushing Feathering Valve (NSS)   | 1    | 1  | 1  |
| 13   | -        | -            | Feathering Valve (NSS)   | 1    | 1  | 1  |
| 14   | ESL11047 | E0NN-N958-AA | Spring, Lift Feathering Valve  | 1    | 1  | 1  |
| 15   | ESL10010 | 87010-S95    | 'O' Ring (0.437 x 0.07)  | 1    | 1  | 1  |
| 16   | ESL11046 | E0NN-F947-FA | Plug, Lift Feathering Valve  | 1    | 1  | 1  |
| 17   | ESL11065 | 87708-36     | Plug, Pipe (1/8-27)  | 4    | 4  | 4  |
| 18   | ESL11064 | 957E-837     | Ring, Hydraulic Cylinder Dowel   | 2    | 2  | 2  |
| 19   | ESL11063 | 84NH-D985-AA | Gasket, Lift Safety Valve  | 1    | 1  | 1  |
| 20   | ESL11062 | 957E-984-B   | Valve Assembly, Lift Safety  | 1    | 1  | 1  |

**HYDRAULIC LIFT CYLINDER**



HYDRAULIC FLOW SYSTEM

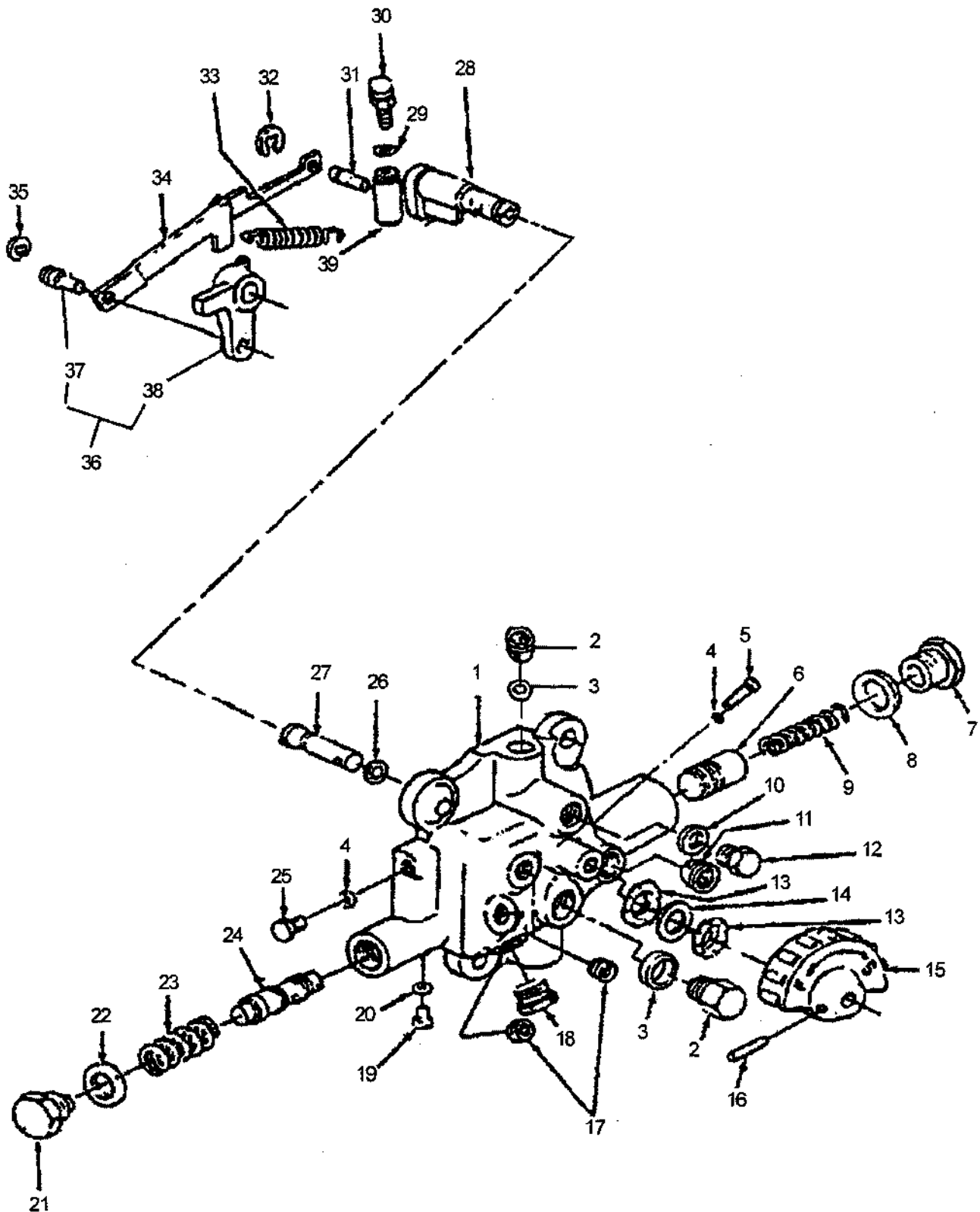
| ITEM | LONG #     | VENDOR #      | DESCRIPTION                        | QTY. |    |    |
|------|------------|---------------|------------------------------------|------|----|----|
|      |            |               |                                    | 35   | 45 | 60 |
| 1    | ESL11112   | D3NN-N994-A   | Filter & Pipe Assembly, Intake     | 1    | 1  | 1  |
| 2    | ESL11107   | D3NN-N838-B   | Spacer, Sump Return                | 1    | 1  | 1  |
| 3    | ESL11109   | 87010-ES      | Seal 'O' Ring (0.437 x 0.07)       | 1    | 1  | 1  |
| 4    | ESL11108   | D3NN-B496-A   | Retainer, Return Pipe              | 2    | 2  | 2  |
| 5    | Ⓢ ESL11106 | 11-96532-AA   | Tube, Lift Sump Return             | 1    | 1  | 1  |
| 6    | ESL14485   | D5NN-L972-A   | Nut (5/16 - 24)                    | 1    | 1  | 1  |
| 7    | ESL11110   | D3NN-C443-B   | Tube and Bracket Assembly          | 1    | 1  | 1  |
| 8    | ESL11111   | E84-GF9       | Seal, Oil Passage (5/16)           | 1    | 1  | 1  |
| 9    | 38308-S8   | 38308-S8      | Screw, Pan Head (5/16 - 24 x 1.12) | 1    | 1  | 1  |
| 10   | ESL11202   | C5NN-N949-A   | Gasket, Flow Control Valve         | -    | 1  | 1  |
| -    | ESL11970   | 11-20021-AA   | Gasket, Cover FCV Opening          | 1    | -  | -  |
| 11   | ESL11099   | C5NN-B853-B   | Tube, Hydraulic                    | -    | 2  | 2  |
| 12   | ESL11212   | E1NN-N982-CA  | Valve, Flow Control                | -    | 1  | 1  |
| 13   | ESL11969   | 11-20019-AA   | Cover, Flow Control Valve Opening  | 1    | -  | -  |
| 14   | 304668-S8  | 304668-S36    | Bolt, Hex Head (7/16-14x0.875)     | 4    | -  | -  |
| 15   | 304686-S8  | 304686-S36    | Bolt, Hex Head (7/16-14x1.00)      | -    | 4  | 4  |
| 16   | ESL11104   | D5NN-K939-A   | Clip                               | 1    | 1  | 1  |
| 17   | ESL12435   | 11-96532-AA   | Tube, Hydraulic Oil                | -    | 1  | 1  |
| 18   | ESL10011   | 87012-S95     | 'O' Ring                           | 2    | 4  | 4  |
| 19   | ESL14586   | D3NN-K943-A   | Elbow, Oil Flow Control Tube       | -    | 1  | 1  |
| 20   | ESL11103   | C7NN-N859-A   | Ring, Snap                         | 1    | 1  | 1  |
| 21   | ESL11101   | 82835357      | Tube, Hydraulic Lift Pressure      | 1    | -  | -  |
| -    | ESL11102   | C7NN-B853-A   | Tube, Hydraulic Lift Pressure      | -    | 1  | 1  |
| 22   | ESL12253   | D9NN-228-AA   | Hose, Flow Control Valve           | -    | 1  | 1  |
| 23   | ESL14483   | 73NH-9N279-AA | Clamp                              | -    | 1  | 1  |

**Service Serial Number Breaks:**

|   |          |              |                                 |          |   |   |   |
|---|----------|--------------|---------------------------------|----------|---|---|---|
| 5 | ESL14484 | D6NN-N853-AA | Tube Assembly, Lift Sump Return | Ⓢ_293615 | - | 1 | - |
|---|----------|--------------|---------------------------------|----------|---|---|---|

(Note: For earlier versions of FT45 with 4.5 gpm hydraulics, refer to FT35 column for applicable Part Numbers and quantity.

35/45/60



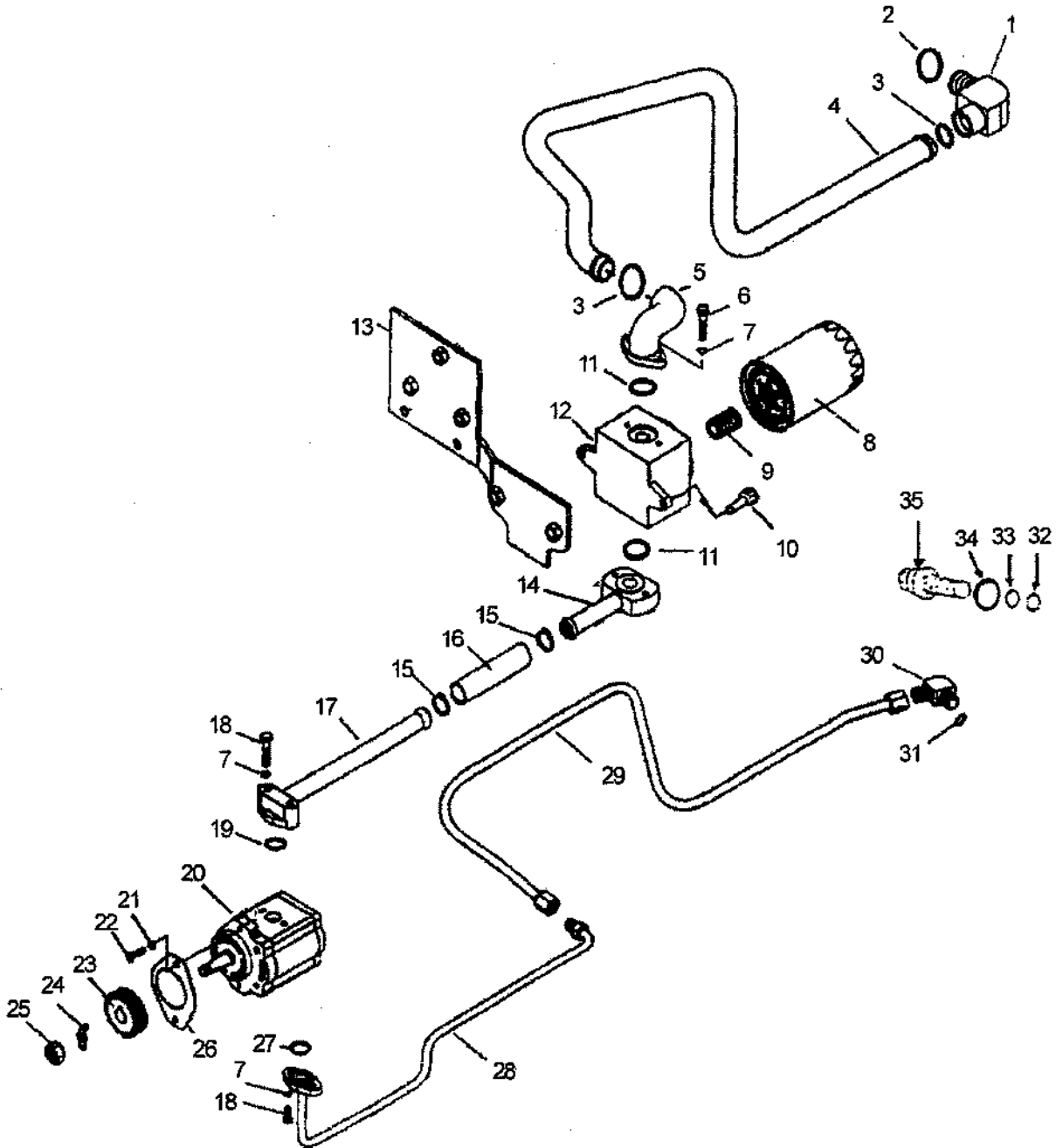
**FLOW CONTROL VALVE (WITH 9 US GPM HYDRAULIC PUMP ONLY)**

**35/45/60**

| ITEM | LONG #    | VENDOR #      | DESCRIPTION                       | QTY. |    |    |
|------|-----------|---------------|-----------------------------------|------|----|----|
|      |           |               |                                   | 35   | 45 | 60 |
| 1    | ESL11212  | E1NN-N982-CA  | Flow Control Valve Assembly       | -    | 1  | 1  |
| 2    | ESL11185  | D3NN-G931-A   | Plug                              | -    | 1  | 1  |
| 3    | ESL11186  | E1ADKN-994570 | Seal                              | -    | 1  | 1  |
| 4    | ESL11193  | E80-WP-9      | Seal, Hydraulic Oil (1/4)         | -    | 2  | 2  |
| 5    | ESL11192  | C5NN-N942-A   | Pin, Restrictor Retainer          | -    | 1  | 1  |
| 6    | ESL11201  | D3NN-G928-B   | Spool, Valve Assembly             | -    | 1  | 1  |
| 7    | ESL11198  | D3NN-N918-A   | Plug                              | -    | 1  | 1  |
| 8    | ESL11199  | D3NN-K931-A   | Seal                              | -    | 1  | 1  |
| 9    | ESL11200  | E1NN-K930-AA  | Spring, Valve Assembly            | -    | 1  | 1  |
| 10   | ESL11187  | E1ADKN-994567 | Seal, Hydraulic Oil (7/16)        | -    | 1  | 1  |
| 11   | ESL11189  | 87838-S36     | Plug                              | -    | 1  | 1  |
| 12   | 304631-S8 | 304631-S36    | Bolt                              | -    | 1  | 1  |
| 13   | 373573-S8 | 373573-S36    | Spring Washer                     | -    | 2  | 2  |
| 14   | 44730-S8  | 44730-S36     | Washer                            | -    | 1  | 1  |
| 15   | ESL11183  | D6NN-L936-B   | Knob, Flow Control Valve          | -    | 1  | 1  |
| 16   | ESL11184  | 305076-S36    | Roll Pin                          | -    | 1  | 1  |
| 17   | ESL11188  | 87837-S36     | Plug                              | -    | 2  | 2  |
| 18   | ESL11191  | 353810-S36    | Plug                              | -    | 1  | 1  |
| 19   | ESL11879  | 113575-S36    | Screw                             | -    | 1  | 1  |
| 20   | ESL11190  | E209-WP-9     | Seal                              | -    | 1  | 1  |
| 21   | ESL11194  | C5NN-N918-A   | Plug, Valve Plunger               | -    | 1  | 1  |
| 22   | ESL11195  | C5NN-N917-A   | Seal (3/4)                        | -    | 1  | 1  |
| 23   | ESL11196  | E69-WP-9      | Spring, Valve Plunger             | -    | 1  | 1  |
| 24   | -         | -             | Plunger, Flow Control Valve (NSS) | -    | 1  | 1  |
| 25   | ESL11765  | D2NN-J958-A   | Bolt                              | -    | 1  | 1  |
| 26   | ESL11182  | 87007-S94     | Seal                              | -    | 1  | 1  |
| 27   | ESL11181  | D3NN-K935-A   | Restrictor Shaft                  | -    | 1  | 1  |
| 28   | ESL11179  | D3NN-N938-A   | Restrictor                        | -    | 1  | 1  |
| 29   | ESL11204  | C5NN-N968-A   | Shim, Flow control Valve          | -    | AR | AR |
| 30   | ESL11203  | C7NN-N941-A   | Follower, Flow Control Valve      | -    | 1  | 1  |
| 31   | ESL11180  | C5NN-N934-A   | Pin                               | -    | 1  | 1  |
| 32   | ESL11207  | 97411-S36     | Ring                              | -    | 1  | 1  |
| 33   | ESL11208  | D4NN-J837-A   | Spring, Hydraulic Lift Tension    | -    | 1  | 1  |
| 34   | ESL11209  | D4NN-N944-A   | Link, Flow Control Valve Retainer | -    | 1  | 1  |
| 35   | ESL11210  | 97409-S36     | Ring                              | -    | 1  | 1  |
| 36   | ESL12279  | D4NN-L863-A   | Lever Assembly                    | -    | 1  | 1  |
| 37   | -         | -             | Pin (NSS)                         | -    | 1  | 1  |
| 38   | -         | -             | Lever (NSS)                       | -    | 1  | 1  |
| 39   | ESL11205  | D3NN-N947-A   | Adjuster, Flow Control Valve      | -    | 1  | 1  |

(Note: Not Applicable to earlier versions of FT45 with 4.5 gpm hydraulics.)

**FLOW CONTROL VALVE (WITH 9 US GPM HYDRAULIC PUMP ONLY)**



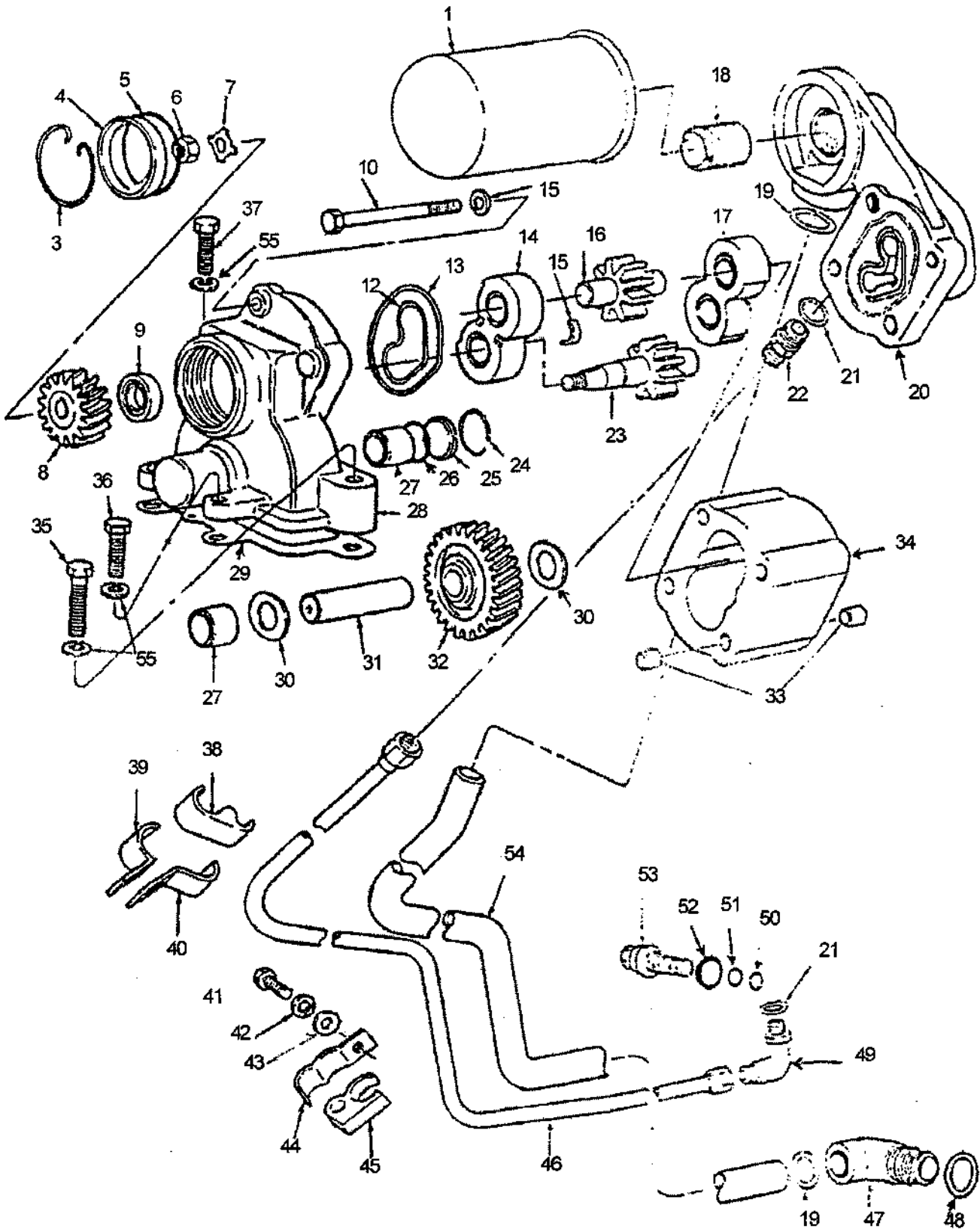
**HYDRAULIC PUMP**

**10:15**

**Ⓢ** - INDICATES SERVICE SERIAL NUMBER BREAKS,

**⊣** - INDICATES UP TO AND INCLUDING THAT SERIAL NUMBER

| <b>ITEM</b> | <b>LONG #</b> | <b>VENDOR #</b> | <b>DESCRIPTION</b>                  | <b>QTY.</b> |
|-------------|---------------|-----------------|-------------------------------------|-------------|
|             |               |                 |                                     | <b>35</b>   |
| 1           | ESL11269      | D3NN-E883-A     | Elbow, Pump Inlet                   | 1           |
| 2           | ESL11270      | 87057-S94       | 'O'Ring                             | 1           |
| 3           | ESL11238      | 87055-S94       | 'O'Ring                             | 2           |
| 4           | ESL14486      | 13-05535-AC     | Tube Assembly Housing to Filter     | 1           |
| 5           | ESL14487      | 22-12280-AC     | Flange                              | 1           |
| 6           | N-605532-S8   | N-605532-S36    | Bolt                                | 2           |
| 7           | N-630173-S8   | N-630173-S36    | Washer, Lock                        | 6           |
| 8           | ESL11255      | D6NN-B486-A     | Hydraulic Filter                    | 1           |
| 9           | ESL13284      | 25-05105-AC     | Adapter Hydraulic Filter            | 1           |
| 10          | N-605559-S8   | N-605559-S36    | Bolt (M12-1.75x30)                  | 2           |
| 11          | ESL13672      | 25-05107-AA     | 'O'Ring Adapter                     | 2           |
| 12          | ESL14488      | 13-05111-AA     | Adapter Assembly                    | 1           |
| 13          | ESL14489      | 22-06477-BA     | Bracket Hydraulic Pump Filter       | 1           |
| 14          | ESL14490      | 22-05550-AA     | Tube Assembly Inlet Filter to Hose  | 1           |
| 15          | ESL14491      | 74NH-6828-A     | Clamp                               | 2           |
| 16          | ESL14492      | 13-05153-AA     | Hose                                | 1           |
| 17          | ESL14493      | 22-05530-AB     | Tube Assembly Inlet Pump to Hose    | 1           |
| 18          | N-605536-S8   | N-605536-S36    | Bolt (M8x45)                        | 4           |
| 19          | ESL13280      | 87059-S96       | 'O'Ring                             | 1           |
| 20          | ESL13281      | 25-33560-AA     | Hydraulic Pump Assembly             | 1           |
| 21          | 34807-S8      | 34807-S36       | Washer, Lock 3/8                    | 2           |
| 22          | 300880-S8     | 300880-S36      | Bolt (3/8-16x2.5)                   | 2           |
| 23          | ESL14494      | 22-06561-AA     | Gear Pump Drive                     | 1           |
| 24          | ESL14495      | 22-06563-AA     | Lock Plate                          | 1           |
| 25          | ESL14496      | 22-06562-AA     | Nut                                 | 1           |
| 26          | ESL14497      | 22-06911-AA     | Gasket Hydraulic Pump               | 1           |
| 27          | ESL10901      | 87035-S94       | 'O'Ring                             | 1           |
| 28          | ESL14499      | 22-05540-AB     | Tube Assembly Pressure Pump to Tube | 1           |
| 29          | ESL14505      | 13-05190-AC     | Tube Assembly Center Housing Side   | 1           |
| 30          | 86327-S8      | 86327-S36       | Elbow                               | 1           |
| 31          | ESL14506      | 86486-S95       | 'O'Ring                             | 1           |
| 32          | ESL11274      | D4NN-K998-A     | 'O'Ring                             | 1           |
| 33          | ESL11273      | D4NN-N629-B     | 'O'Ring                             | 1           |
| 34          | ESL11272      | D4NN-N629-A     | 'O'Ring                             | 1           |
| 35          | ESL11271      | 78NH-638-AA     | Valve Assembly, Pump Relief         | 1           |

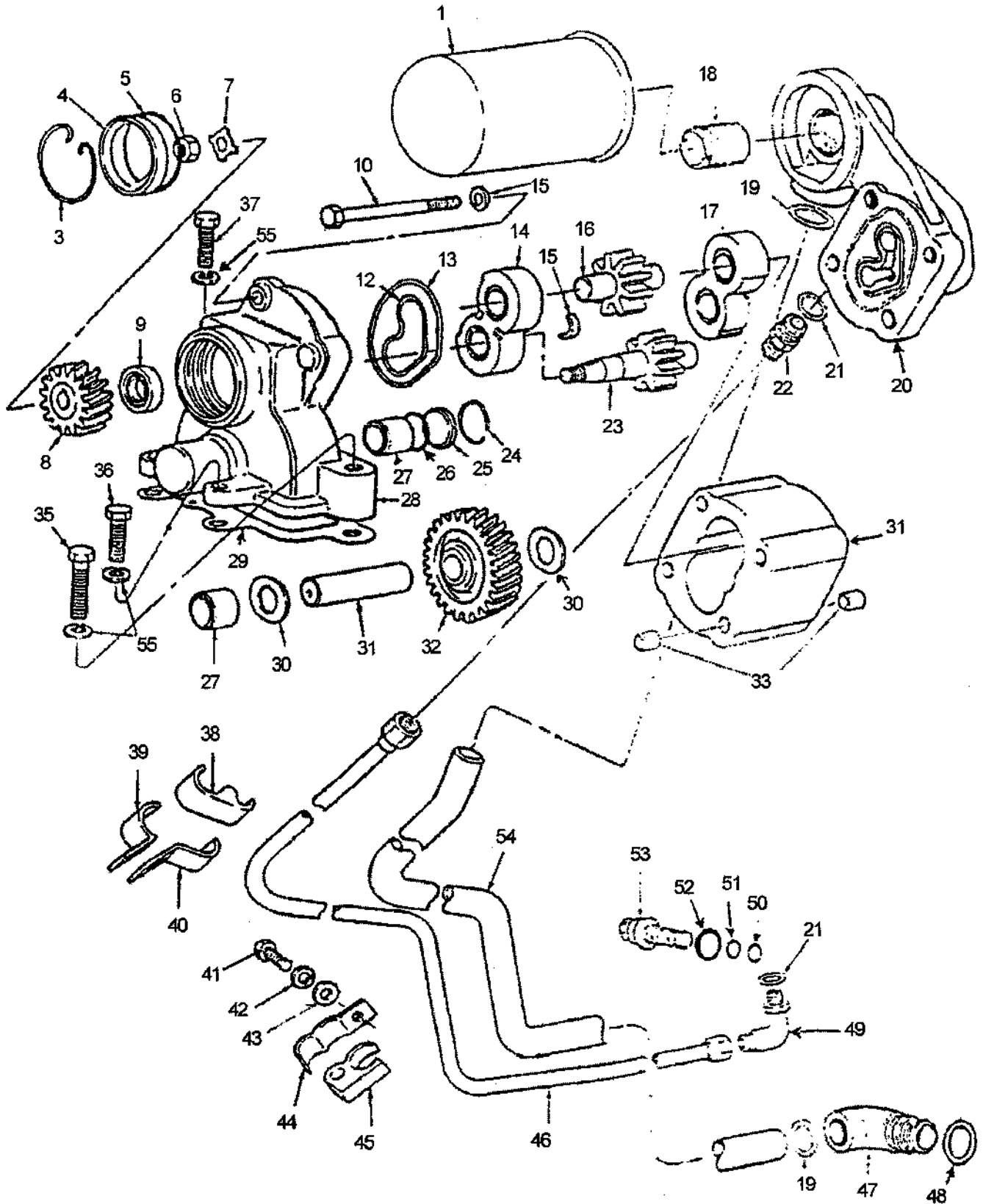


**HYDRAULIC PUMP**



| ITEM | LONG #     | VENDOR #      | DESCRIPTION  | QTY. |    |
|------|------------|---------------|--|------|----|
|      |            |               |  | 45   | 60 |
| 1    | ESL11255   | D6NN-B486-A   | Filter Assembly  | 1    | 1  |
| 2    | Ⓢ ESL11276 | D4NN-600-B    | Pump Assembly, Hydraulic (9 gpm)<br>(Includes Items #3-20,23-34) | 1    | 1  |
| 3    | ESL11251   | D4NN-L830-A   | Circlip  | 1    | 1  |
| 4    | -          | -             | Cover, External Gear (NSS)                                       | 1    | 1  |
| 5    | ESL11250   | 87145-S94     | 'O' Ring Seal  | 1    | 1  |
| 6    | 34690-S8   | 34690-S       | Nut  | 1    | 1  |
| 7    | Ⓢ ESL11881 | 957E-994633   | Spring Washer  | 1    | 1  |
| 8    | ESL12280   | D4NN-908-C    | Gear, External   | 1    | 1  |
| 9    | ESL11239   | 84NH-3N529-AA | Seal, Shaft  | 1    | 1  |
| 10   | ESL11767   | D4NN-D931-A   | Bolt, Hex Head   | 4    | 4  |
| 11   | 34807-S8   | 34807-S36     | Spring Washer  | 4    | 4  |
| 12   | -          | -             | Ring, Pressure Loading (NSS)                                     | 2    | 2  |
| 13   | -          | -             | Sealing Ring (NSS)   | 2    | 2  |
| 14   | -          | -             | Bearing Assembly (NSS)   | 1    | 1  |
| 15   | -          | -             | Stiffener Strip (NSS)  | 2    | 2  |
| 16   | -          | -             | Gear, Driven (NSS)   | 1    | 1  |
| 17   | -          | -             | Bearing Assembly (Used only in 4.5 gpm Pump)                     | 1    | 1  |
| 18   | ESL11252   | D4NN-H972-A   | Adaptor, Filter  | 1    | 1  |
| 19   | ESL11238   | 87055-S94     | 'O' Ring (1.125 x 0.139)   | 2    | 2  |
| 20   | -          | -             | Cover (NSS)  | 1    | 1  |
| 21   | 86483-S95  | 86483-S95     | 'O' Ring (1.00*0.139)  | 2    | 2  |
| 22   | 86301-S8   | 86301-S36     | Connector (1/2-3/4-16)   | 1    | 1  |
| 23   | -          | -             | Gear, Driving (NSS)  | 1    | 1  |
| 24   | ESL11237   | D8NN-K990-AA  | Circlip  | 1    | 1  |
| 25   | ESL11245   | D4NN-K991-A   | Plug   | 1    | 1  |
| 26   | ESL11244   | 87024-S94     | 'O' Ring   | 1    | 1  |
| 27   | -          | -             | Bushing (NSS)  | 2    | 2  |
| 28   | -          | -             | Housing Assembly (NSS)   | 1    | 1  |
| 29   | ESL11256   | E4NN-911-AA   | Gasket, Pump to Block  | 1    | 1  |
| 30   | ESL11882   | D4NN-K994-A   | Washer   | 2    | 2  |
| 31   | -          | -             | Body, Hydraulic Pump (NSS)                                       | 1    | 1  |
| 32   | ESL12281   | D4NN-873-A    | Gear, Idler  | 1    | 1  |
| 33   | ESL11246   | C5NN-3N532-A  | Dowel  | 4    | 4  |
| 34   | ESL11236   | D4NN-872-A    | Shaft, Idler Gear  | 1    | 1  |
| 35   | 353374-S8  | 353374-S36    | Bolt, Hex Head (3/8 - 16*2.38)                                   | 1    | 1  |
| 36   | 304760-S8  | 304760-S36    | Bolt, Hex Head (3/8 - 16*1.50)                                   | 2    | 2  |
| 37   | 385894-S8  | 385894-S36    | Bolt, Hex Head (3/8 - 16*1.50)                                   | 1    | 1  |
| 38   | ESL11263   | D5NN-N871-A   | Grommet  | 1    | 1  |
| 39   | Ⓢ ESL11260 | D5NN-N885-B   | Bracket  | 1    | 1  |
| 40   | Ⓢ ESL11262 | D4NN-N885-B   | Bracket  | 1    | 1  |

**HYDRAULIC PUMP**

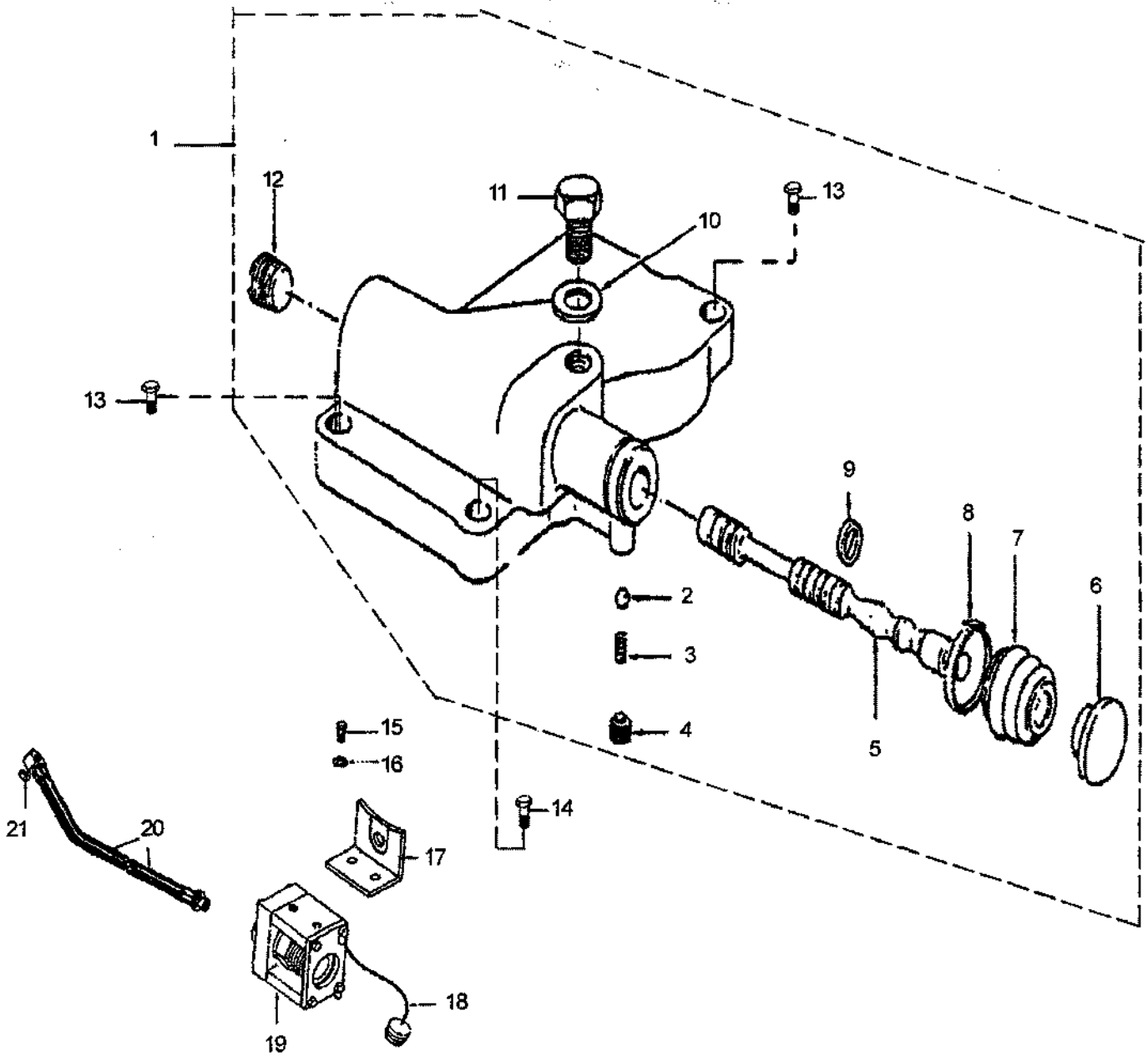


**HYDRAULIC PUMP**

| ITEM | LONG #     | VENDOR #     | DESCRIPTION                  | QTY. |    |
|------|------------|--------------|------------------------------|------|----|
|      |            |              |                              | 45   | 60 |
| 41   | 304684-S8  | 304684-S36   | Bolt, Hex Head (3/8-16*1.00) | 1    | 1  |
| 42   | 44728-S38  | 44728-S36    | Washer, Flat (3/8)           | 1    | 1  |
| 43   | 34807-S8   | 34807-S36    | Spring Washer                | 1    | 1  |
| 44   | Ⓢ ESL11265 | E0NN-N885-AA | Bracket                      | 1    | 1  |
| 45   | ESL11258   | D3NN-N871-E  | Grommet                      | 1    | 1  |
| 46   | ESL11267   | D4NN-E897-B  | Tube, Pump Pressure          | 1    | 1  |
| 47   | ESL11269   | D3NN-E883-A  | Elbow, Pump Inlet            | 1    | 1  |
| 48   | 87057-S94  | 87057-S94    | 'O'Ring (1.25*0.139)         | 1    | 1  |
| 49   | 86327-S8   | 86327-S36    | Elbow, Pressure Tube         | 1    | 1  |
| 50   | ESL11274   | D4NN-K998-A  | 'O'Ring                      | 1    | 1  |
| 51   | ESL11273   | D4NN-N629-B  | 'O'Ring                      | 1    | 1  |
| 52   | ESL11272   | D4NN-N629-A  | 'O'Ring                      | 1    | 1  |
| 53   | ESL11271   | 78NH-638-AA  | Valve Assembly, Pump Relief  | 1    | 1  |
| 54   | ESL11266   | 83NH-B835-AA | Tube, Pump Inlet             | 1    | 1  |
| 55   | 34807-S8   | 34807-S36    | Washer, Lock (3/8)           | 4    | 4  |

**Service Serial Number Breaks:**

|    |          |              |                                    |          |   |   |
|----|----------|--------------|------------------------------------|----------|---|---|
| 2  | ESL11275 | 84NH-600-AA  | Pump Assembly, Hydraulic (4.5 gpm) | ↙ 293615 | 1 | - |
| 7  | ESL11880 | EXP-13021-AA | Spring Washer                      | ↙ 293615 | 1 | - |
| 39 | ESL11259 | 82NH-N885-AA | Bracket                            | ↙ 293615 | 1 | - |
| 40 | ESL11261 | 82NH-N885-BA | Bracket                            | ↙ 293615 | 1 | - |
| 44 | ESL11264 | D3NN-N885.J  | Bracket                            | ↙ 293615 | 1 | - |

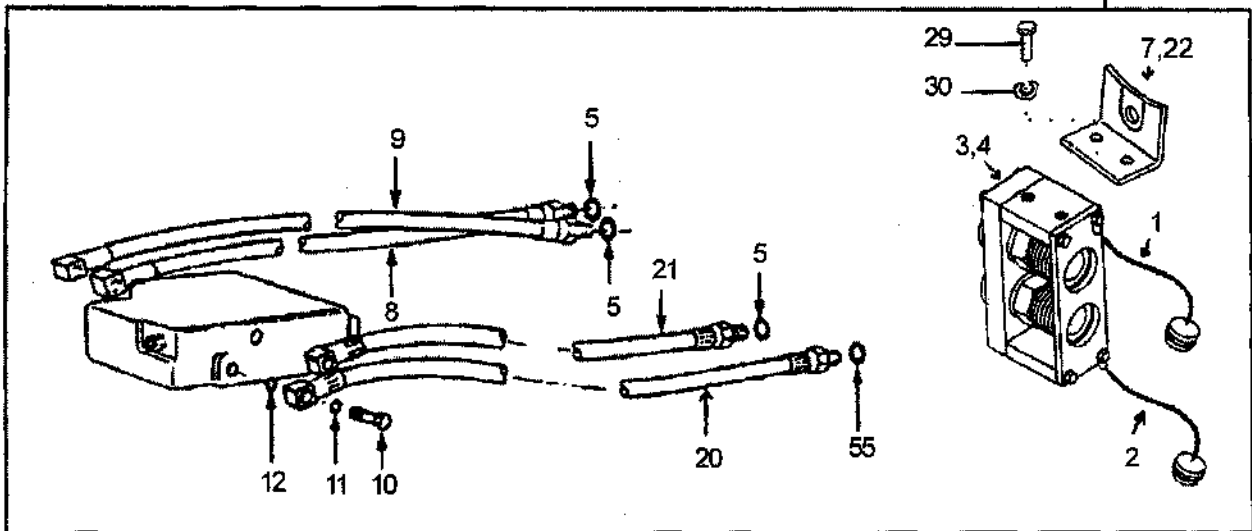
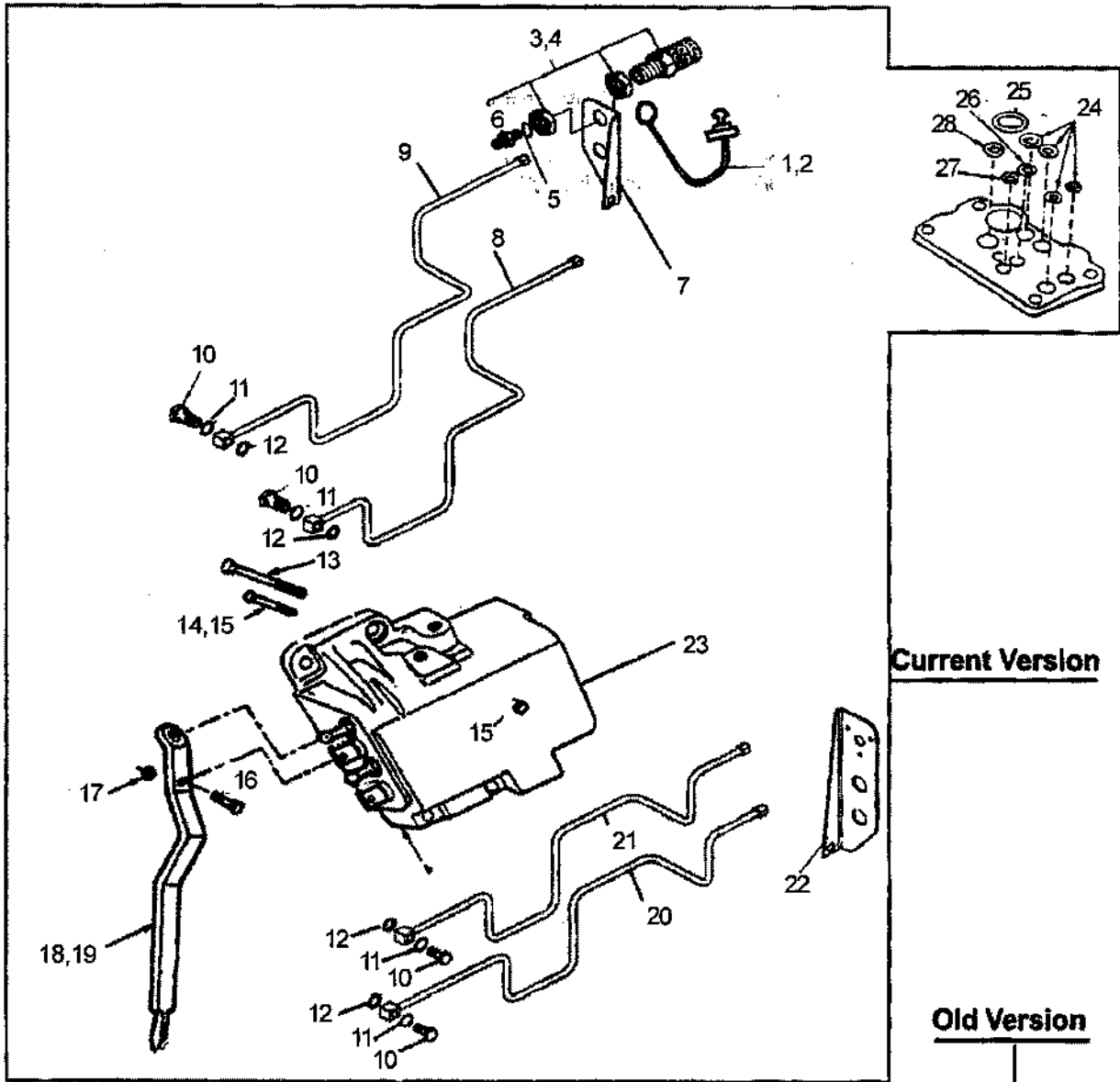


**AUXILIARY SERVICE CONTROL VALVE**

| ITEM | LONG #    | VENDOR #     | DESCRIPTION                                     | QTY. |    |    |
|------|-----------|--------------|---|------|----|----|
|      |           |              |   | 35   | 45 | 60 |
| 1    | ESL11227  | E0NN-D960-AA | Valve Assembly, Selector (Includes Items #2-12) | -    | 1  | -  |
| 2    | -         | -            | Plunger, ASC Valve (NSS)                        | -    | 1  | -  |
| 3    | ESL11215  | C5PN-P951-A  | Spring, ASC Valve                               | -    | 1  | -  |
| 4    | ESL12435  | C5HN-D959-A  | Screw   | -    | 1  | -  |
| 5    | -         | -            | Spool, ASC Valve (NSS)                          | -    | 1  | -  |
| 6    | ESL11218  | C5NH-N513-A  | Knob, ASC Valve                                 | -    | 1  | -  |
| 7    | ESL11217  | C5NH-D961-A  | Boot  | -    | 1  | -  |
| 8    | ESL11219  | 381707-S8    | Clamp, Hose (1 x 1/4)                           | -    | 1  | -  |
| 9    | ESL11213  | 87010-S94    | Seal  | -    | 1  | -  |
| 10   | ESL10990  | C5NN-N991-B  | Seal (9/16)                                     | -    | 1  | -  |
| 11   | ESL11925  | 371433-S36   | Bolt, Hex (9/16 - 18 x 0.62)                    | -    | 1  | -  |
| 12   | ESL11216  | 87711-S36    | Plug  | -    | 1  | -  |
| 13   | ESL11762  | 379409-S36   | Bolt, UNC (7/16 - 14)                           | -    | 2  | -  |
| 14   | 304777-S8 | 304777-S36   | Bolt, Hex (5/16 - 18 x 1.50)                    | -    | 1  | -  |
| 15   | 304684-S8 | 304684-S36   | Bolt, Hex (3/8 - 16 x 1.00)                     | -    | 2  | -  |
| 16   | 34807-S8  | 34807-S36    | Washer, Lock (3/8)                              | -    | 2  | -  |
| 17   | ESL10026  | 11-96579-AA  | Bracket, ASC Valve                              | -    | 1  | -  |
| 18   | ESL10028  | 11-96410-AA  | Dust Cap, Quick Coupling                        | -    | 1  | -  |
| 19   | ESL11226  | 11-96380-AA  | Quick Coupling Assembly                         | -    | 1  | -  |
| 20   | ESL11221  | E4NN-B968-BC | Hose Assembly                                   | -    | 1  | -  |
| 21   | ESL10022  | D2NN-B997-A  | Seal  | -    | 2  | -  |
| 22   | ESL11766  | E4NN-H923-AA | Bolt (NI)                                       | -    | 1  | -  |
| 23   | ESL10024  | 87032-S95    | Seal (0.424 x 0.103) (NI)                       | -    | 1  | -  |
| 24   | 903048    | -            | Seal Kit, Coupling Assembly (NI)                | -    | 1  | -  |

(Note: Applicable only to earlier versions of FT45 with 4.5 gpm hydraulics.)

35/45/60



**DOUBLE-ACTING TWO SPOOL VALVE**

10:23

Ⓢ - INDICATES SERVICE SERIAL NUMBER BREAKS,

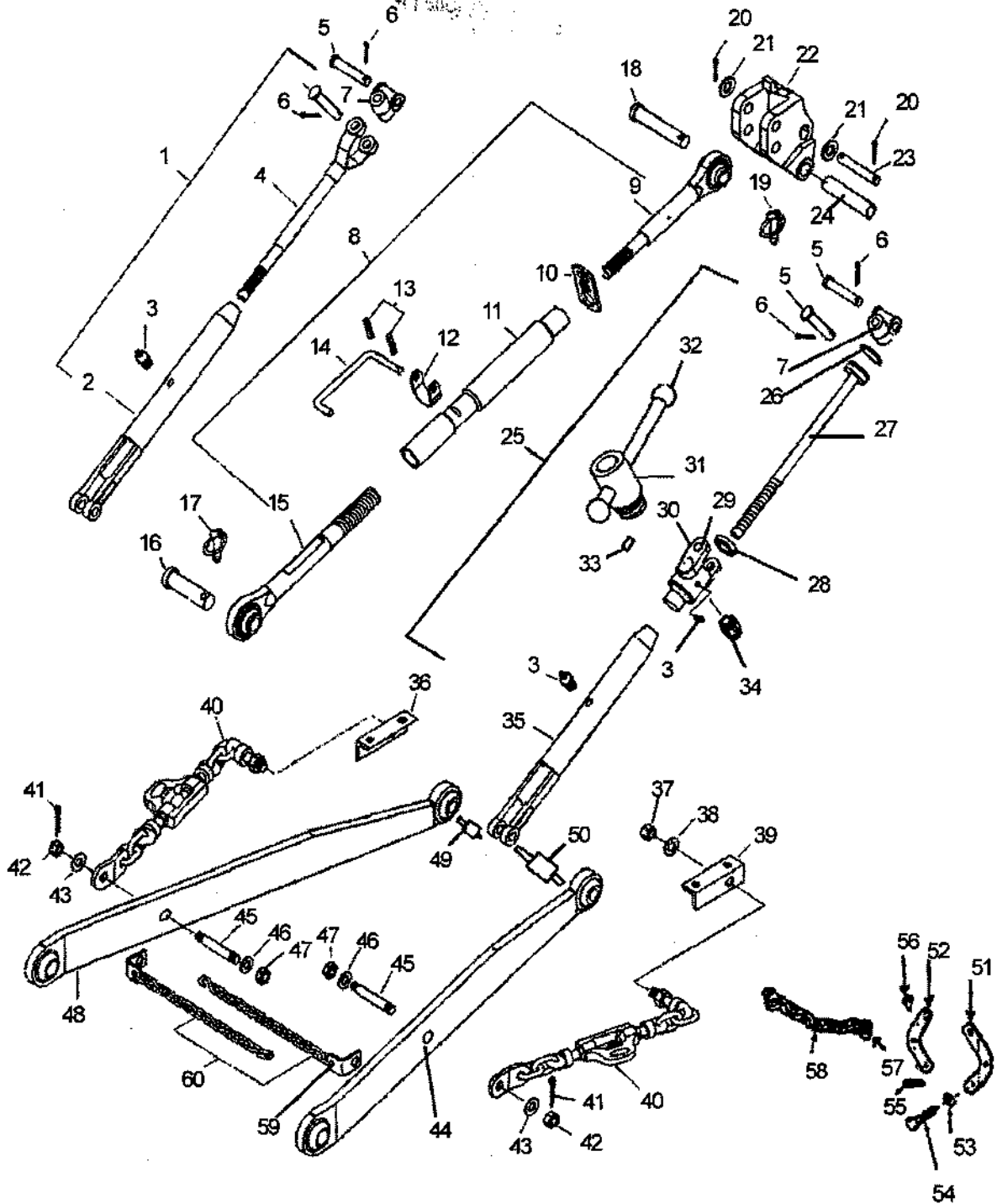
⏏ - INDICATES UP TO AND INCLUDING THAT SERIAL NUMBER

| ITEM | LONG #     | VENDOR #    | DESCRIPTION                   | QTY. |    |    |
|------|------------|-------------|-------------------------------|------|----|----|
|      |            |             |                               | 35   | 45 | 60 |
| 1    | Ⓢ ESL13655 | 25-96391-AA | Dust.Plug, Red                | -    | -  | 2  |
| 2    | Ⓢ ESL13656 | 25-96392-AA | Dust Plug, Blue               | -    | -  | 2  |
| 3    | Ⓢ ESL12604 | 25-96390-AB | Coupling (With Red Plug)      | -    | -  | 2  |
| 4    | Ⓢ ESL12605 | 25-96390-BA | Coupling (With Blue Plug)     | -    | -  | 2  |
| 5    | Ⓢ ESL10021 | 86483-S95   | Seal                          | -    | -  | 4  |
| 6    | ESL11257   | 86301-S36   | Adapter                       | -    | -  | 4  |
| 7    | Ⓢ ESL12607 | 11-96579-CA | Bracket Coupling, RH          | -    | -  | 1  |
| 8    | Ⓢ ESL12602 | 11-96130-AA | Tube Spool Valve, Lower RH    | -    | -  | 1  |
| 9    | Ⓢ ESL12601 | 11-96120-AA | Tube Spool Valve, Upper RH    | -    | -  | 1  |
| 10   | ESL10023   | 311113      | Bolt, Hydraulic Spool Valve   | -    | -  | 4  |
| 11   | ESL10024   | 87032-S95   | Seal (0.424x0.103)            | -    | -  | 4  |
| 12   | ESL10022   | D2NN-B997-A | Seal                          | -    | -  | 4  |
| 13   | 58663-S8   | 58663-S36   | Bolt, Hex Head (7/16-14x3.50) | -    | -  | 2  |
| 14   | 304686-S8  | 304686-S36  | Bolt, Hex Head (7/16-14x1.00) | -    | -  | 1  |
| 15   | 304652-S8  | 304652-S36  | Bolt, Hex Head (7/16-14x0.75) | -    | -  | 1  |
| 16   | ESL10015   | D2NN-H899-A | Pin                           | -    | -  | 2  |
| 17   | ESL10016   | C9NN-H891-A | Nut, Pin                      | -    | -  | 2  |
| 18   | ESL10013   | D4NN-B936-F | Handle, Spool Valve           | -    | -  | 1  |
| 19   | ESL10014   | D4NN-B936-G | Handle, Spool Valve           | -    | -  | 1  |
| 20   | Ⓢ ESL12603 | 11-96140-AA | Tube Spool Valve, Lower LH    | -    | -  | 1  |
| 21   | Ⓢ ESL12600 | 11-96110-AA | Tube Spool Valve, Upper LH    | -    | -  | 1  |
| 22   | Ⓢ ESL12606 | 11-96579-BA | Bracket Coupling, LH          | -    | -  | 1  |
| 23   | ESL10005   | 11-96590-AA | Double-Acting Two Spool Valve | -    | -  | 1  |
| 24   | ESL10008   | 87034-S95   | 'O'Ring (9/16x0.103)          | -    | -  | 4  |
| 25   | ESL10009   | D7NN-B999-A | Seal                          | -    | -  | 1  |
| 26   | ESL10010   | 87010-S95   | 'O'Ring                       | -    | -  | 1  |
| 27   | ESL10011   | 87012-S95   | 'O'Ring (0.50x0.07)           | -    | -  | 1  |
| 28   | ESL10012   | C0NN-B999-A | 'O'Ring                       | -    | -  | 1  |

#### Service Serial Number Breaks:

|       |           |             |                              |          |   |   |   |
|-------|-----------|-------------|------------------------------|----------|---|---|---|
| 1     | ESL10028  | 11-96410-AA | Dust Cap Pressure (Red)      | Ⓜ 290493 | - | - | 2 |
| 2     | ESL10029  | 11-96420-AA | Dust Cap Return (Blue)       | Ⓜ 290493 | - | - | 2 |
| 3-4   | ESL10025  | 11-96390-AA | Coupling Assembly            | Ⓜ 290493 | - | - | 2 |
| 5     | 903048    | -           | Seal Kit, Coupling Assembly  | Ⓜ 290493 | - | - | 4 |
| 7,22  | ESL10026  | 11-96579-AA | Bracket Coupling Assembly    | Ⓜ 290493 | - | - | 2 |
| 8,9   |           |             |                              |          |   |   |   |
| 20-21 | ESL10020  | D1NN-B968-N | Hose Assembly                | Ⓜ 290493 | - | - | 4 |
| 29    | 304684-S8 | 304684-S36  | Bolt, Hex Head (3/8-16x1.00) | Ⓜ 290493 | - | - | 4 |
| 30    | 34807-S8  | 34807-S8    | Washer, Lock (3/8)           | Ⓜ 290493 | - | - | 4 |

#### DOUBLE-ACTING TWO SPOOL VALVE

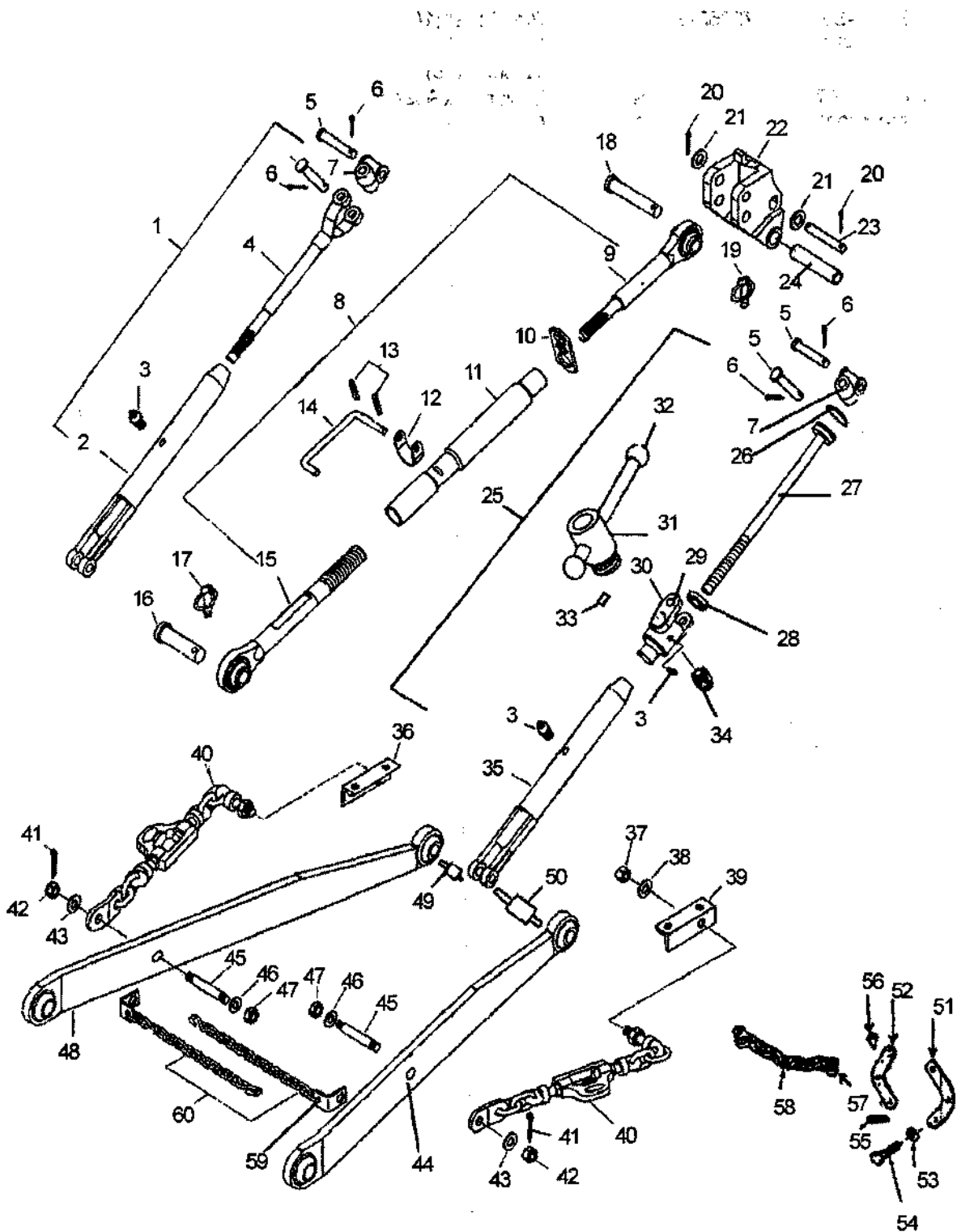


**HYDRAULIC LIFT LINKAGES**



| ITEM | LONG #     | VENDOR #     | DESCRIPTION                          | QTY. |    |    |
|------|------------|--------------|--------------------------------------|------|----|----|
|      |            |              |                                      | 35   | 45 | 60 |
| 1    | ESL11164   | 92NH-564-AA  | Rod Assembly, LH                     | 1    | 1  | 1  |
| 2    | -          | -            | Fork, Lift Level Rod (NSS)           | 1    | 1  | 1  |
| 3    | ESL10868   | 87907-S36    | Grease Nipple (1/4-28)               | 3    | 3  | 3  |
| 4    | -          | -            | Rod, Hydraulic Lift Link (NSS)       | 1    | 1  | 1  |
| 5    | ESL11143   | E27N-995282  | Pin, Link to Lift Arm                | 4    | 4  | 4  |
| 6    | 72035-S8   | 72035-S8     | Pin, Cotter (1/8x1.00)               | 4    | 4  | 4  |
| 7    | ESL11141   | 957E-566     | Knuckle, Rod Assembly LH             | 2    | 2  | 2  |
| 8    | Ⓢ ESL14566 | 12-06576-AA  | Link Assembly, Upper Lift (Catl)     | 1    | 1  | 1  |
| 9    | ESL11122   | 93NH-N664-AA | Link & Ball, RH Thread               | 1    | 1  | 1  |
| 10   | ESL11120   | E0NN-M865-CA | Retainer, Upper Lift Link            | 1    | 1  | 1  |
| 11   | -          | -            | Housing, Upper Link (NSS)            | 1    | 1  | 1  |
| 12   | -          | -            | Clamp, Upper Link (NSS)              | 1    | 1  | 1  |
| 13   | -          | -            | Pin (NSS)                            | 2    | 2  | 2  |
| 14   | ESL11117   | D0NN-A910-A  | Latch, Upper Link                    | 1    | 1  | 1  |
| 15   | Ⓢ ESL14588 | 12-00663-AA  | Link & Ball, LH Thread               | 1    | 1  | 1  |
| 16   | Ⓢ ESL11125 | 90NH-560-AA  | Pin, Upper Lift Link                 | 1    | 1  | 1  |
| 17   | Ⓢ ESL11126 | 2N-608       | Pin & Ring Assembly, Linch           | 1    | 1  | 1  |
| 18   | ESL11125   | 90NH-560-AA  | Pin, Upper Lift Link                 | 1    | 1  | 1  |
| 19   | ESL11126   | 2N-608       | Pin & Ring Assembly, Linch           | 1    | 1  | 1  |
| 20   | 72055-S8   | 72055-S8     | Pin, Cotter (3/16 x 1.25)            | 2    | 2  | 2  |
| 21   | ESL11708   | C5NN-N850-D  | Washer, Rocker to Yoke Pin           | 2    | 2  | 2  |
| 22   | ESL11113   | 90NH-535-AB  | Rocker, Hydraulic Lift Upper         | 1    | 1  | 1  |
| 23   | ESL11115   | 90NH-K840-AA | Pin, Rocker to Yoke Clevis           | 1    | 1  | 1  |
| 24   | ESL11114   | 91NH-B681-AA | Bush, Hydraulic Lift Rocker          | 1    | 1  | 1  |
| 25   | ESL11166   | 11-05560-AA  | Box Assembly, Lift Leveling          | 1    | 1  | 1  |
| 26   | ESL11159   | 74127-S      | Plug, Expansion                      | 1    | 1  | 1  |
| 27   | -          | -            | Shaft, Lift Leveling Gear (NSS)      | 1    | 1  | 1  |
| 28   | ESL11147   | 957E-554-B   | Bearing Assembly, Lift Lever Gear    | 1    | 1  | 1  |
| 29   | -          | -            | Box Hydraulic Lift Lever (NSS)       | 1    | 1  | 1  |
| 30   | 383904-S8  | 383904-S36   | Washer, Spring (0.50)                | 1    | 1  | 1  |
| 31   | ESL11151   | D5NN-594-A   | Lever, Hydraulic Lift Leveling       | 1    | 1  | 1  |
| 32   | ESL11154   | D5NN-L939-A  | Lever, Knob, Hydraulic Lift Leveling | 1    | 1  | 1  |
| 33   | ESL11155   | 60466-S      | Rivet                                | 1    | 1  | 1  |
| 34   | ESL11149   | 71NH-568-A   | Gear, Hydraulic Lift Leveling Lever  | 1    | 1  | 1  |
| 35   | -          | -            | Fork, Lift Level Rod (NSS)           | 1    | 1  | 1  |
| 36   | 900645     | 11-57526-AA  | Bracket, LH, Check Chain             | 1    | 1  | 1  |
| 37   | N620016-S8 | N620016-S36  | Nut                                  | 2    | 2  | 2  |
| 38   | N630072-S8 | N630072-S36  | Washer                               | 2    | 2  | 2  |
| 39   | 900646     | 11-57527-AC  | Bracket RH, Check Chain              | 1    | 1  | 1  |
| 40   | ESL12081   | 11-57520-AD  | Check Chain & Bracket Assembly       | 2    | 2  | 2  |

**HYDRAULIC LIFT LINKAGES**



**HYDRAULIC LIFT LINKAGES**

35/45/60

| ITEM | LONG #     | VENDOR #     | DESCRIPTION                    | QTY. |    |    |
|------|------------|--------------|--------------------------------|------|----|----|
|      |            |              |                                | 35   | 45 | 60 |
| 41   | 72053-S8   | 72053-S36    | Pin, Cotter (1/8-1.25)         | 2    | 2  | 2  |
| 42   | 33987-S8   | 33987-S36    | Nut (5/8-18)                   | 2    | 2  | 2  |
| 43   | 44742-S8   | 44742-S36    | Washer (5/8)                   | 2    | 2  | 2  |
| 44   | Ⓢ ESL14507 | 12-55560-BA  | Lower Link Assembly RH (CAT I) | 1    | 1  | 1  |
| 45   | Ⓢ ESL12087 | 11-57595-AB  | Pin                            | 2    | 2  | 2  |
| 46   | 377184-S8  | 377184-S36   | Washer, Flat                   | 2    | 2  | 2  |
| 47   | 351090-S8  | 351090-S36   | Nut, Hex Lock (7/16-20)        | 2    | 2  | 2  |
| 48   | Ⓢ ESL14508 | 12-55550-BA  | Lower Link Assembly LH (CAT I) | 1    | 1  | 1  |
| 49   | ESL11134   | 92NH-563-AB  | Shaft, Lower Link Support LH   | 1    | 1  | 1  |
| 50   | ESL11132   | 92NH-N563-AB | Shaft, Lower Link Support RH   | 1    | 1  | 1  |
| 51   | ESL11138   | 92NH-596-AA  | Anchor, RH                     | 1    | 1  | 1  |
| 52   | ESL11140   | 92NH-597-AA  | Anchor, LH                     | 1    | 1  | 1  |
| 53   | 34808-S8   | 34808-S2     | Washer, Lock (7/16)            | 4    | 4  | 4  |
| 54   | 359264-S38 | 359264-S36   | Bolt, Hex Head (7/16-14x1.38)  | 4    | 4  | 4  |
| 55   | 380793-S8  | 380793-S36   | Pin, Clevis (3/8x1.68)         | 4    | 4  | 4  |
| 56   | 72026-S8   | 72026-S8     | Pin, Cotter (1/8-0.875)        | 4    | 4  | 4  |
| 57   | ESL11136   | C5NN-A945-C  | Clevis, Lower Lift Link        | 4    | 4  | 4  |
| 58   | ESL11135   | C7NN-591-A   | Check Chain Assembly, Link     | 2    | 2  | 2  |
| 59   |            |              | Bracket                        | 2    | 2  | 2  |

**Service Serial Number Breaks:**

|    |          |              |   |          |   |   |   |
|----|----------|--------------|---|----------|---|---|---|
| 8  | ESL11163 | 93NH-576-AA  | Link Assembly, Upper Lift (CAT II)              | ↳ 310362 | - | 1 | 1 |
| 15 | ESL11122 | 93NH-N663-AA | Link & Ball, LH Thread (CAT II)                 | ↳ 310362 | - | 1 | 1 |
| 16 | ESL11123 | C9NN-B927-A  | Pin, Upper Lift Link (CAT II)                   | ↳ 310362 | - | 1 | 1 |
| 17 | ESL11124 | E27N-995216  | Pin & Ring Assembly Link (CAT II)               | ↳ 310362 | - | 1 | 1 |
| 44 | ESL12534 | 11-55560-BA  | Lower Link Assembly, RH (CAT II)                | ↳ 310362 | - | 1 | 1 |
| 45 | ESL11162 | 91NH-595-AA  | Pin   | ↳ 310362 | - | 1 | 1 |
| 48 | ESL12535 | 11-55550-BA  | Lower Link Assembly, LH (CAT II)                | ↳ 310362 | - | 1 | 1 |
| 60 | ESL12082 | 11-57548-AB  | Chain Assembly, Internal<br>(Includes Item #59) | ↳ 310362 | - | 1 | 1 |

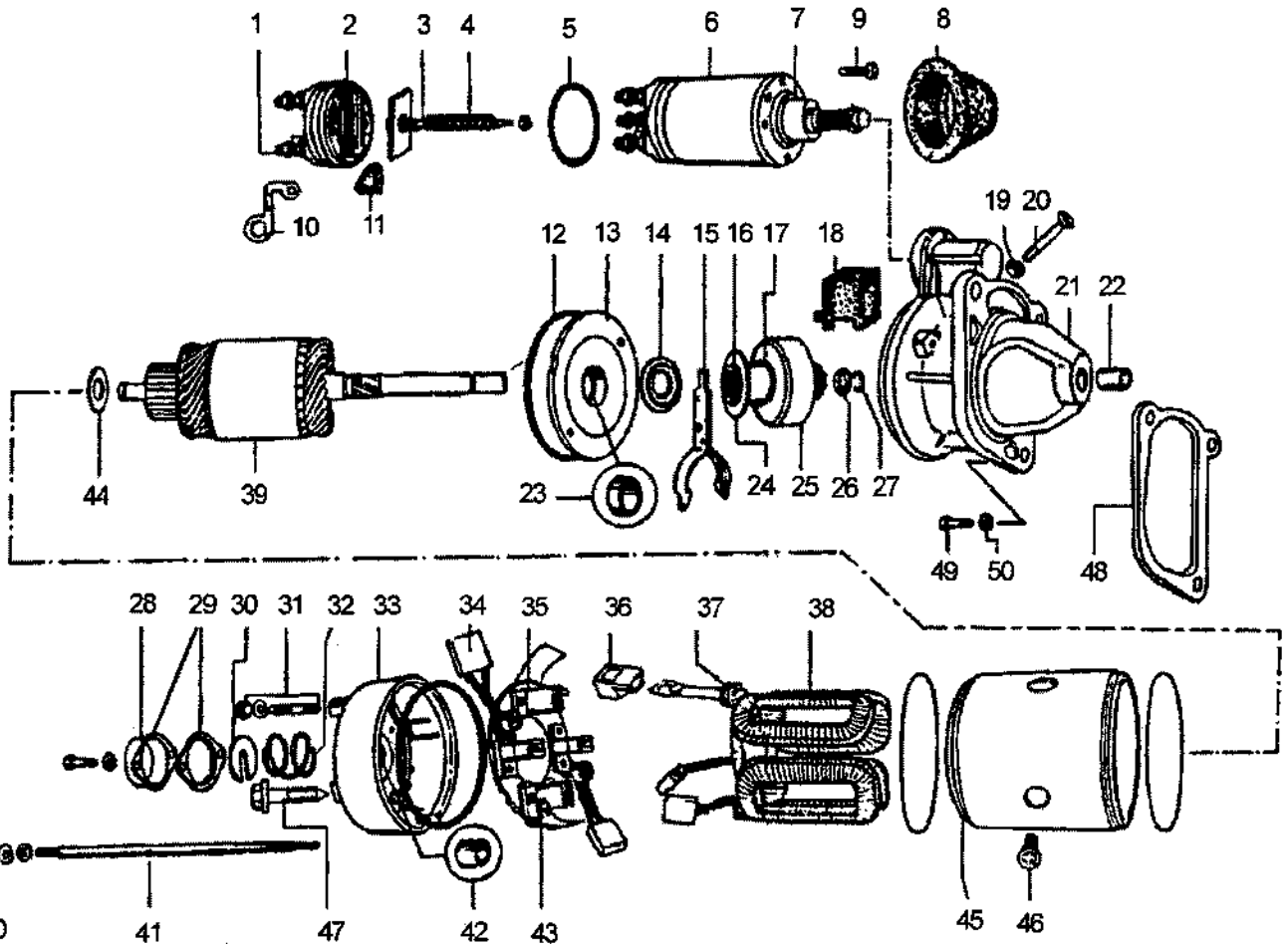
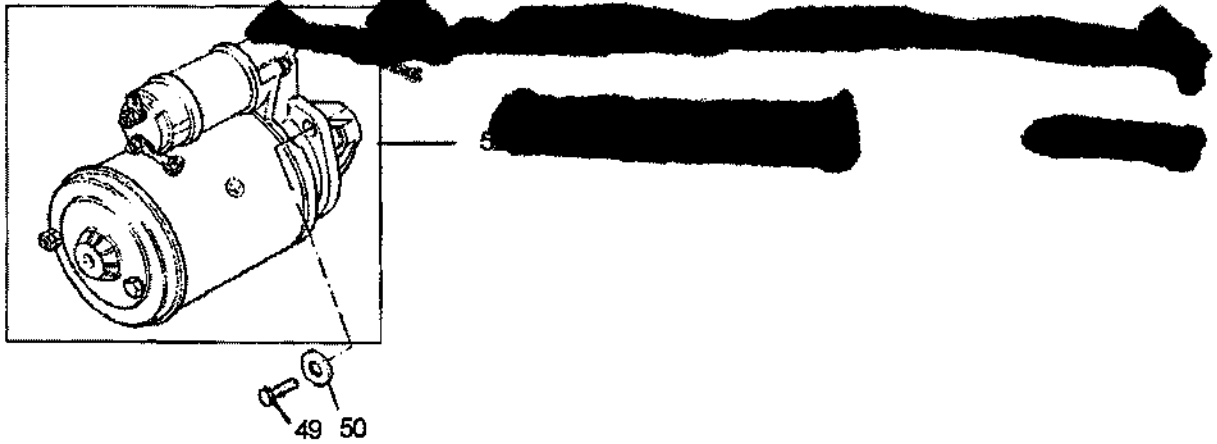
---

# Notes

---



# ***ELECTRICALS, GAUGES & LIGHT SYSTEM***



**STARTER MOTOR & RELAY ASSEMBLY**

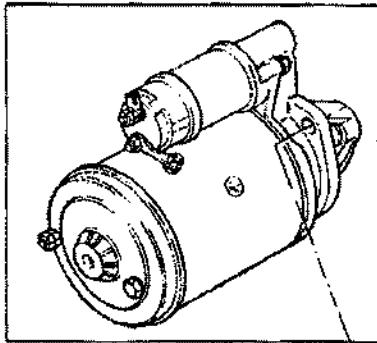


35/45/60

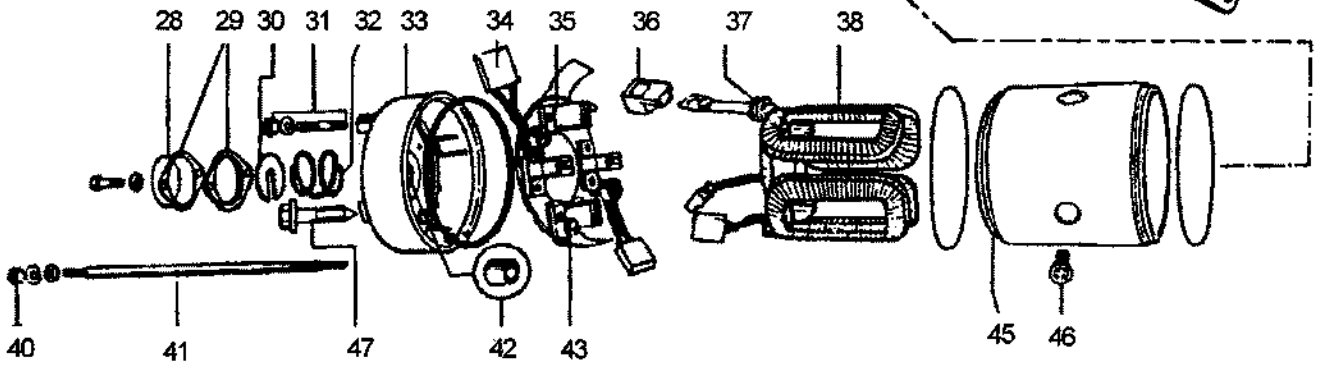
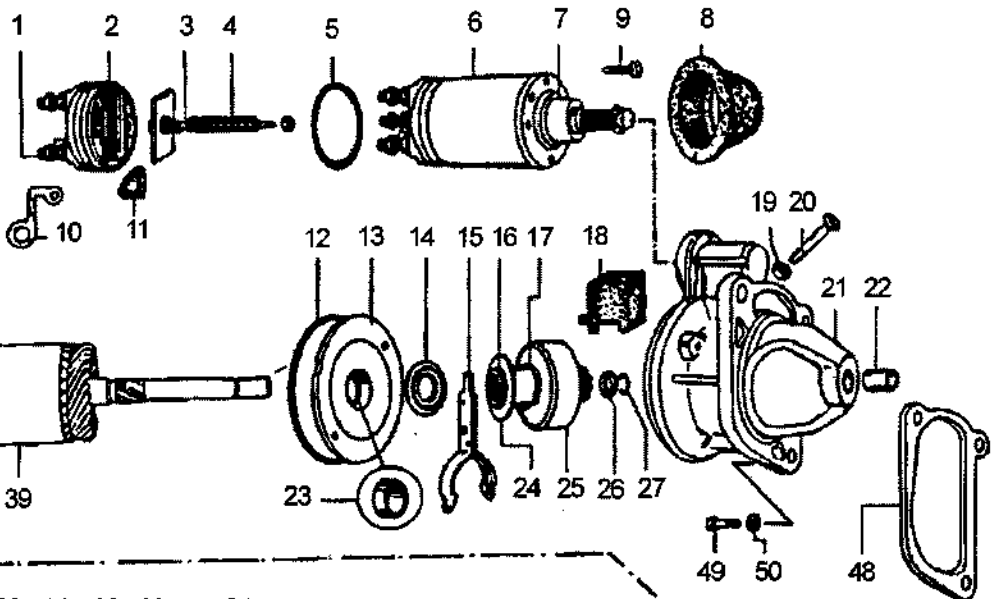
| ITEM | LONG #     | VENDOR #    | DESCRIPTION                                | QTY. |    |    |
|------|------------|-------------|--|------|----|----|
|      |            |             |  | 35   | 45 | 60 |
| 1    |            |             | Main Terminal (Solenoid) (NSS)             | 2    | 2  | 2  |
| 2    | -          | -           | Terminal Base Assembly (NSS)               | 1    | 1  | 1  |
| 3    | -          | -           | Spindle Assembly (NSS)                     | 1    | 1  | 1  |
| 4    | -          | -           | Plunger Return Spring (NSS)                | 1    | 1  | 1  |
| 5    | ESL13444   | 11-13555-AA | Sealing Ring (Solenoid)                    | 1    | 1  | 1  |
| 6    | Ⓢ ESL13445 | 11-13556-AA | Solenoid Switch Assembly (3 bolt mounting) | 1    | 1  | 1  |
| 7    | -          | -           | Plunger Assembly (NSS)                     | 1    | 1  | 1  |
| 8    | -          | -           | Shroud (NSS)                               | 1    | 1  | 1  |
| 9    | -          | -           | Screw (Solenoid Fixing) (NSS)              | 3    | 3  | 3  |
| 10   | ESL13449   | 11-13560-AA | Connector                                  | 1    | 1  | 1  |
| 11   | -          | -           | Seal (NSS)                                 | 1    | 1  | 1  |
| 12   | ESL13451   | 11-13562-AA | Sealing Ring (DE & CE)                     | 2    | 2  | 2  |
| 13   | -          | -           | Intermediate Bracket Assembly (NSS)        | 1    | 1  | 1  |
| 14   | ESL13453   | 11-13564-AA | Oil Seal                                   | 1    | 1  | 1  |
| 15   | -          | -           | Engaging Lever Assembly (NSS)              | 1    | 1  | 1  |
| 16   | -          | -           | Jump Ring (Pinion) (NSS)                   | 1    | 1  | 1  |
| 17   | -          | -           | Spring Pinion (NSS)                        | 1    | 1  | 1  |
| 18   | -          | -           | Grommet (NSS)                              | 1    | 1  | 1  |
| 19   | -          | -           | Nut (Pivot) (NSS)                          | 1    | 1  | 1  |
| 20   | -          | -           | Pivot Pin (NSS)                            | 1    | 1  | 1  |
| 21   |            |             | Fixing Bracket Assembly (NSS)              | 1    | 1  | 1  |
| 22   | Ⓢ ESL13461 | 11-13572-AA | Bearing Bush (Fixing Bracket)              | 1    | 1  | 1  |
| 23   | Ⓢ ESL13462 | 11-13573-AA | Bearing Bush (Inter Bracket)               | 1    | 1  | 1  |
| 24   | -          | -           | Operating Plate (Pinion) (NSS)             | 1    | 1  | 1  |
| 25   | Ⓢ ESL13464 | 11-13575-AA | Drive Assembly                             | 1    | 1  | 1  |
| 26   | Ⓢ ESL13465 | 11-13576-AA | Thrust Collar                              | 1    | 1  | 1  |
| 27   | Ⓢ ESL13466 | 11-13577-AA | Jump Ring                                  | 1    | 1  | 1  |
| 28   | -          | -           | End Cover (NSS)                            | 1    | 1  | 1  |
| 29   | ESL13468   | 11-13579-AA | Seal (End Cover)                           | 2    | 2  | 2  |
| 30   | -          | -           | C'Washer (NSS)                             | 1    | 1  | 1  |
| 31   | ESL13470   | 11-13581-AA | Earth Terminal                             | 1    | 1  | 1  |
| 32   | -          | -           | Spring (End Cover) (NSS)                   | 1    | 1  | 1  |
| 33   | -          | -           | C & E Bracket Assembly (NSS)               | 1    | 1  | 1  |
| 34   | ESL13473   | 11-13584-AA | Brush Set                                  | 1    | 1  | 1  |
| 35   | Ⓢ ESL13474 | 11-13585-AA | Brush Carrier Assembly                     | 1    | 1  | 1  |
| 36   | ESL13475   | 11-13586-AA | Lead Assembly                              | 1    | 1  | 1  |
| 37   | -          | -           | Grommet (NSS)                              | 1    | 1  | 1  |
| 38   | Ⓢ ESL13477 | 11-13588-AA | Field Coil Assembly                        | 1    | 1  | 1  |
| 39   | Ⓢ ESL13478 | 11-13589-AA | Armature Assembly                          | 1    | 1  | 1  |
| 40   | ESL13479   | 11-13590-AA | Nut (Fixing Stud)                          | 2    | 2  | 2  |

STARTER MOTOR & RELAY ASSEMBLY

35/45/60



52



**STARTER MOTOR & RELAY ASSEMBLY**



35/45/60

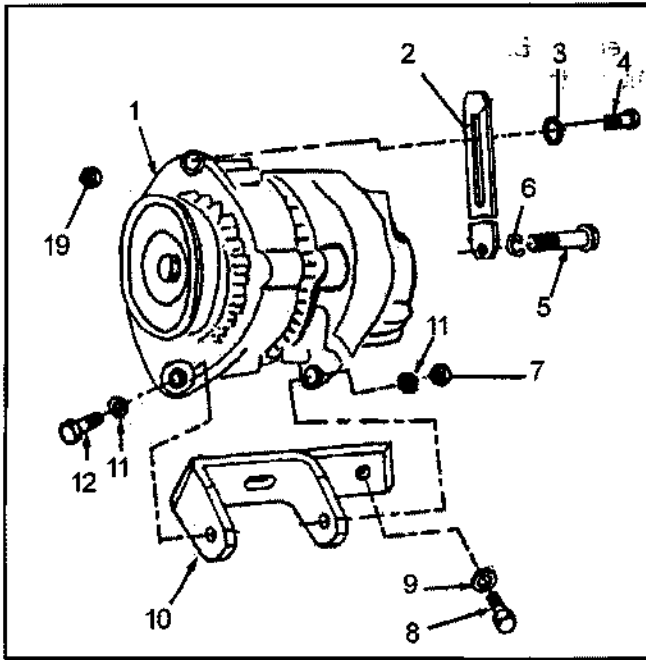
| ITEM | LONG #      | VENDOR #      | DESCRIPTION                  | QTY. |    |    |
|------|-------------|---------------|------------------------------|------|----|----|
|      |             |               |                              | 35   | 45 | 60 |
| 41   | -           | -             | Fixing Stud (NSS)            | 1    | 1  | 1  |
| 42   | Ⓢ ESL13481  | 11-13592-AA   | Bearing Bush                 | 1    | 1  | 1  |
| 43   | Ⓢ ESL13482  | 11-13593-AA   | Brush Spring                 | 4    | 4  | 4  |
| 44   | -           | -             | Stop Washer (NSS)            | 1    | 1  | 1  |
| 45   | -           | -             | Insulation Yoke (NSS)        | 1    | 1  | 1  |
| 46   | -           | -             | Pole Screw (NSS)             | 4    | 4  | 4  |
| 47   | -           | -             | Screw (NSS)                  | 2    | 2  | 2  |
| 48   | ESL11297    | 76NH-11N076-A | Gasket Starter Motor         | -    | 1  | 1  |
| -    | ESL14370    | 22-13101-AA   | Gasket, Starter Motor        | 1    | -  | -  |
| 49   | 304722-S8   | 304722-S36    | Bolt, Hex Head (3/8-16x1.25) | -    | 3  | 3  |
| -    | ESL14509    | 22-13102-AA   | Bolt, Hex Head               | 3    | -  | -  |
| 50   | 34807-S8    | 34807-S36     | Washer, Lock (3/8)           | -    | 3  | 3  |
| -    | N-630174-S8 | N-630174-S36  | Washer, Lock (M10)           | 3    | -  | -  |
| 51   | ESL11461    | 82835101      | Clip, Wiring (NI)            | 1    | 1  | 1  |
| 52   | ESL12587    | 25-13100-AA   | Starter Motor Assembly       | -    | 1  | 1  |
| -    | ESL14510    | 22-13100-CA   | Starter Motor Assembly       | 1    | -  | -  |

**Service Serial Number Breaks:**

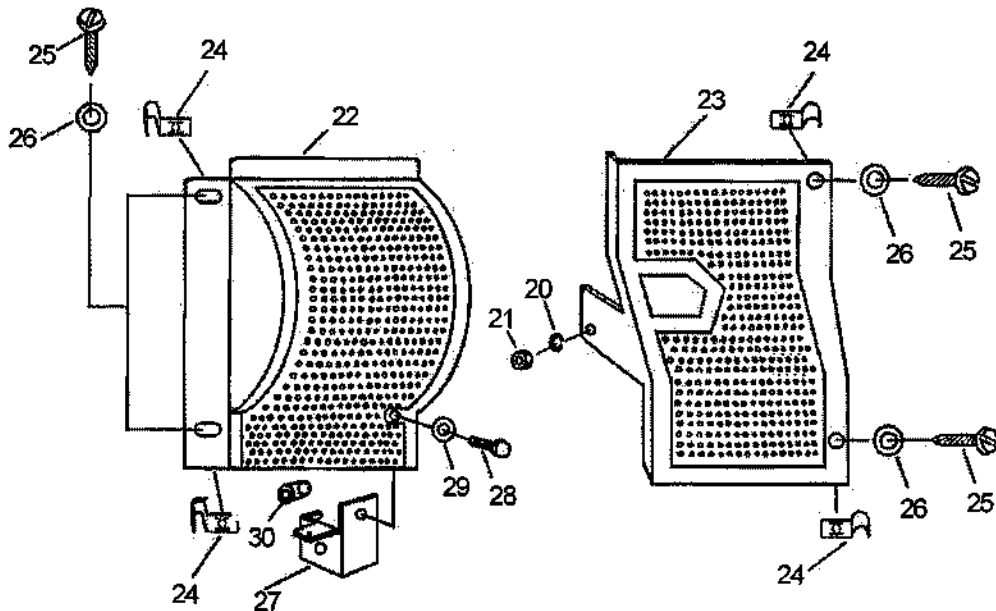
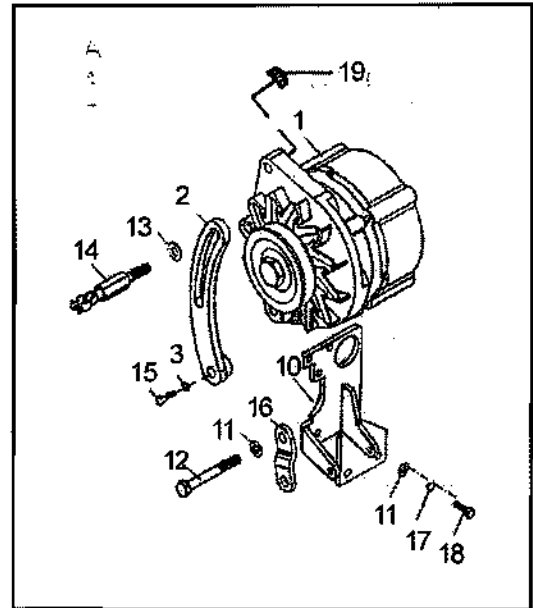
|    |          |                |   |          |   |   |   |
|----|----------|----------------|---|----------|---|---|---|
| 6  | ESL11278 | 87NH-11K134-AA | Soleniod Switch Assembly<br>(2 bolt mounting) | ⌞ 264497 | - | 1 | 1 |
| 22 | ESL11287 | 72NH-11448-A   | Bearing Bush, Fixing Bracket                  | ⌞ 264497 | - | 1 | 1 |
| 23 | ESL11279 | 72NH-11135-A   | Bearing Bush, Inter Bracket                   | ⌞ 264497 | - | 1 | 1 |
| 25 | ESL11281 | 87NH-11350-AA  | Drive Assembly                                | ⌞ 264497 | - | 1 | 1 |
| 26 | ESL11282 | EXP-10097      | Thrust Collar                                 | ⌞ 264497 | - | 1 | 1 |
| 27 | ESL11283 | EXP-10088      | Jump Ring                                     | ⌞ 264497 | - | 1 | 1 |
| 35 | ESL11293 | 72NH-11055-A   | Brush Carrier Assembly                        | ⌞ 264497 | - | 1 | 1 |
| 38 | ESL11295 | 72NH-11082-A   | Field Coil Assembly                           | ⌞ 264497 | - | 1 | 1 |
| 39 | ESL11296 | 87NH-11005-AA  | Armature Assembly                             | ⌞ 264497 | - | 1 | 1 |
| 42 | ESL11291 | 72NH-10052-A   | Bearing Bush                                  | ⌞ 264497 | - | 1 | 1 |
| 43 | ESL11292 | 72NH-11059-A   | Brush Spring                                  | ⌞ 264497 | - | 1 | 1 |

**STARTER MOTOR & RELAY ASSEMBLY**

**FT45-60**



**FT35**



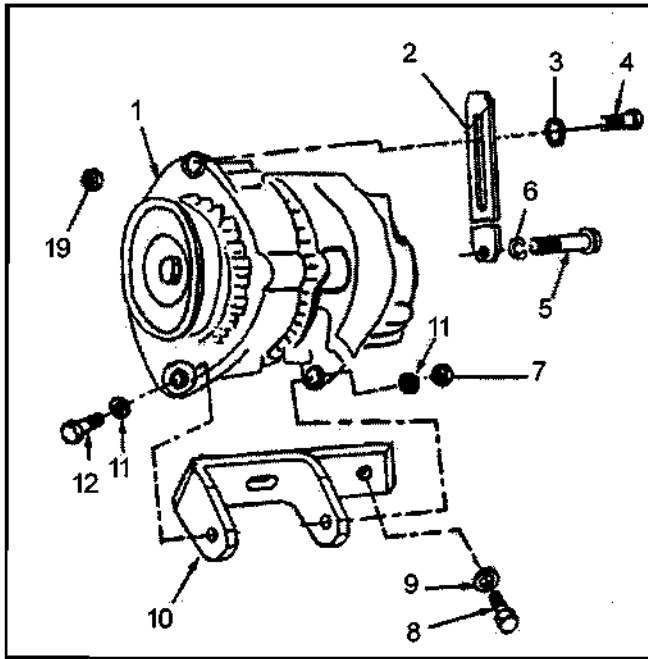
**ALTERNATOR & GUARD**

**35/45/60**

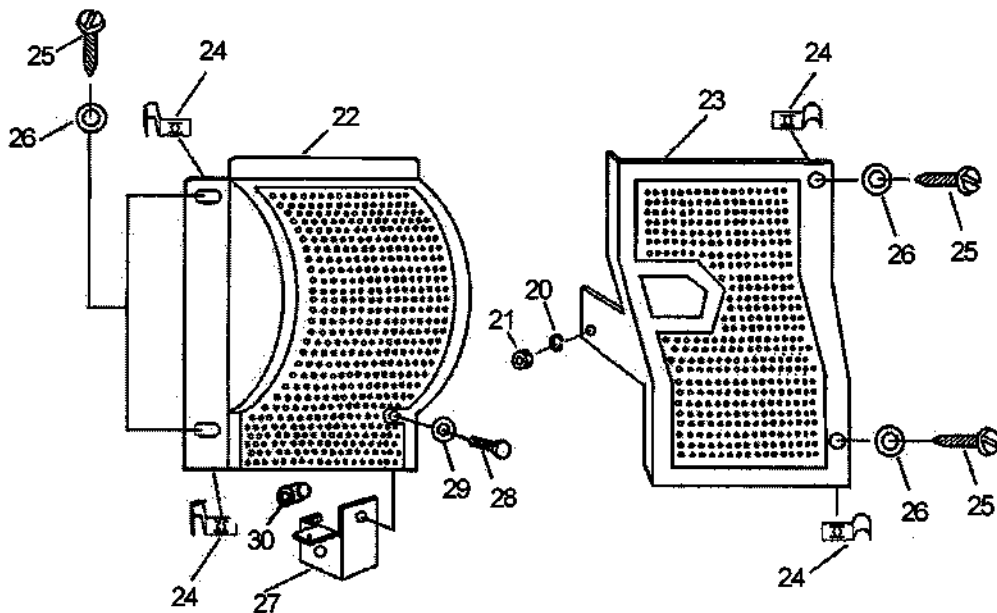
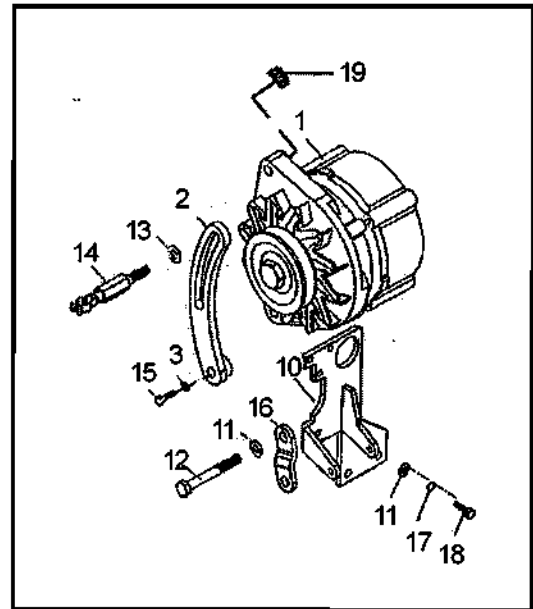
| ITEM | LONG #      | VENDOR #      | DESCRIPTION                          | QTY. |    |    |
|------|-------------|---------------|--------------------------------------|------|----|----|
|      |             |               |                                      | 35   | 45 | 60 |
| 1    | ESL11954    | 11-10376-AA   | Alternator & Regulator Assembly      | 1    | 1  | -  |
| -    | Ⓢ ESL12505  | 12-10376-BA   | Alternator & Regulator Assembly      | -    | -  | 1  |
| 2    | Ⓢ ESL11961  | 11-10145-AA   | Arm, Alternator Belt Adjusting       | -    | 1  | 1  |
| -    | ESL14511    | 22-10304-AA   | Arm, Alternator Belt Adjusting       | 1    | -  | -  |
| 3    | Ⓢ ESL11720  | E-630028-S71  | Washer, Flat (M8x19x3)               | 1    | 1  | 1  |
| 4    | Ⓢ ESL11958  | E-602189-S72  | Bolt, Hex Head (M8x1.25x30)          | -    | 1  | 1  |
| 5    | 302549-S8   | 302549-S36    | Bolt, Hex (7/16)                     | -    | 1  | 1  |
| 6    | 34793-S8    | 34793-S36     | Washer (7/16)                        | -    | 1  | 1  |
| 7    | Ⓢ ESL11957  | N-620014-S36  | Nut (M10-1.5)                        | -    | 1  | 1  |
| 8    | 42997-S8    | 42997-S36     | Bolt, Hex (3/8-16x0.875)             | -    | 2  | 2  |
| 9    | ESL11719    | 73NH-10N005-A | Washer, Bracket Mounting             | -    | 2  | 2  |
| 10   | Ⓢ ESL11960  | 11-10239-AA   | Bracket, Alternator Mounting         | -    | 1  | 1  |
| -    | ESL14515    | T12.97.852.0a | Bracket, Alternator Mounting         | 1    | -  | -  |
| 11   | Ⓢ ESL11956  | N-630069-S36  | Washer (M10)                         | 2    | 1  | 1  |
| 12   | Ⓢ ESL11955  | N-600322-S36  | Bolt (M10-1.5x90)                    | -    | 1  | 1  |
| -    | ESL14516    | 22-10305-AA   | Bolt, Hex (M10x100)                  | 1    | -  | -  |
| 13   | ESL14512    | 22-10303-AA   | Washer, Plain                        | 1    | -  | -  |
| 14   | ESL14513    | 22-10302-AA   | Adjusting Bolt                       | 1    | -  | -  |
| 15   | N-605532-S8 | N-605532-S36  | Bolt, Hex (M8x1.25x25)               | 1    | -  | -  |
| 16   | ESL14514    | T12.97.090.0  | Clamp, Alternator Bracket            | 1    | -  | -  |
| 17   | N-630174-S8 | N-630174-S36  | Washer, Lock (M10)                   | 1    | -  | -  |
| 18   | N-605545-S8 | N-605545-S36  | Bolt, Hex (M10x1.5x25)               | 1    | -  | -  |
| 19   | N-620013-S8 | N-620013-S36  | Nut, Hex (M8)                        | 1    | 1  | 1  |
| 20   | 34791-S8    | 34791-S36     | Washer (5/16-18)                     | -    | 1  | 1  |
| -    | N-630173-S8 | N-630173-S36  | Washer, Lock (M8)                    | 1    | -  | -  |
| 21   | 33797-S8    | 33797-S36     | Nut, Hex (5/16-18)                   | -    | 1  | 1  |
| -    | N-620013-S8 | N-620013-S36  | Nut, Hex (M8)                        | 1    | -  | -  |
| 22   | Ⓢ ESL13491  | 11-93334-BA   | Guard, Alternator & Fan, LH          | -    | 1  | 1  |
| -    | ESL14517    | 22-93334-AA   | Guard, Alternator & Fan, LH          | 1    | -  | -  |
| 23   | ESL12002    | 11-93333-AA   | Guard Assembly, Alternator & Fan, RH | -    | 1  | 1  |
| -    | ESL14518    | 22-93333-AA   | Guard Assembly, Alternator & Fan, RH | 1    | -  | -  |
| 24   | ESL12042    | 45258-S2      | Nut, Spring U (1/2-14)               | 4    | 4  | 4  |
| 25   | ESL14519    | E-602188-S71  | Screw, Pan Head                      | 4    | -  | -  |
| -    | ESL11933    | 56009-S36     | Screw, Pan Head (1/4-14x2.00)        | 4    | 4  | 4  |
| 26   | ESL12046    | E-630023-S71  | Washer, Flat (1/4)                   | 4    | 4  | 4  |
| 27   | Ⓢ ESL12067  | 11-33425-AA   | Bracket Assembly                     | -    | 1  | 1  |
| -    | ESL14520    | 22-93235-AA   | Bracket Assembly                     | 1    | -  | -  |
| 28   | ESL12073    | N-605517-S36  | Bolt, Hex Head (M6-1x16)             | 1    | 1  | 1  |
| 29   | N-630067-S8 | N-630067-S36  | Washer, Flat (M6)                    | 1    | 1  | 1  |

**ALTERNATOR & GUARD**

**FT45-60**



**FT35**

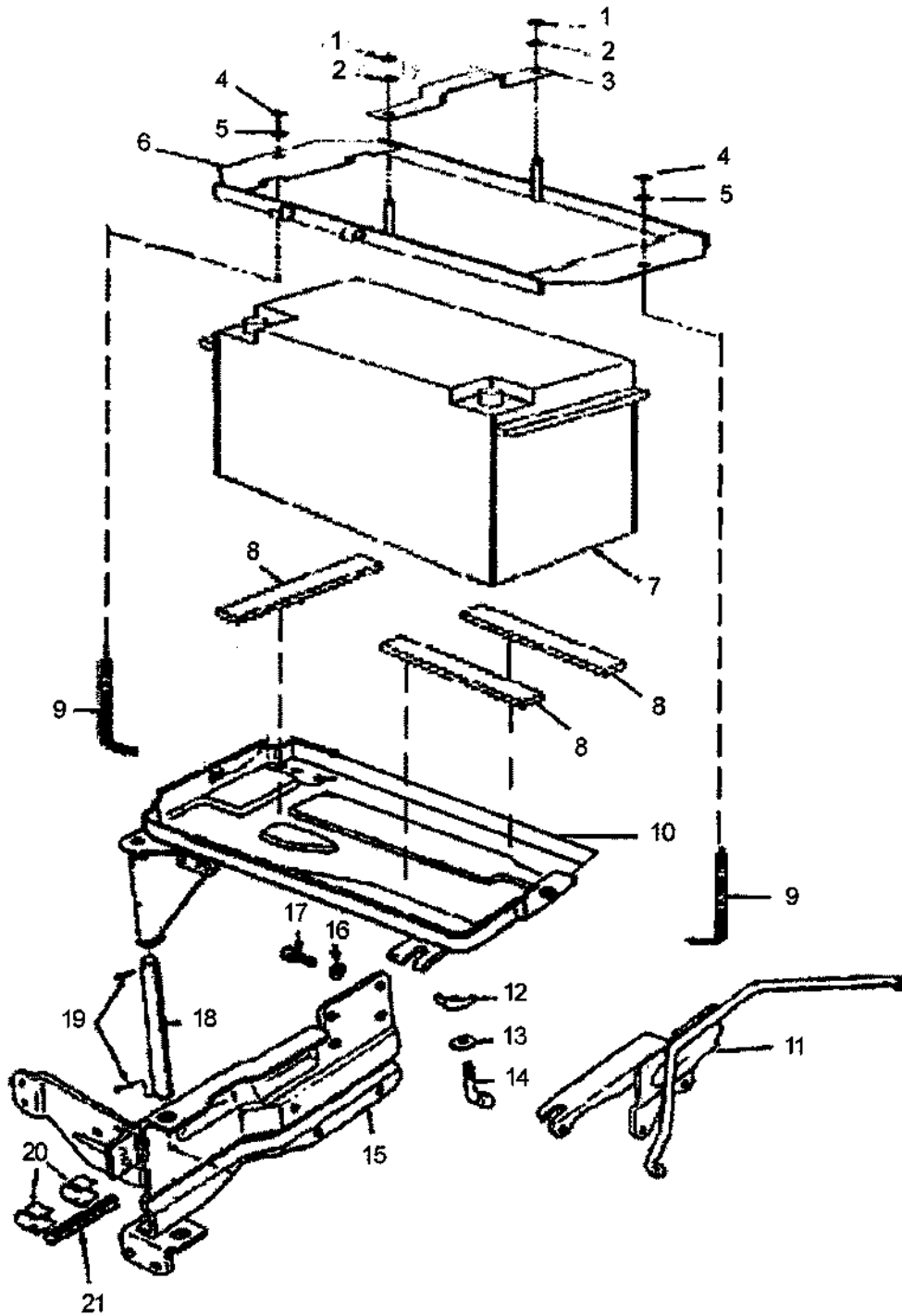


**ALTERNATOR & GUARD**



| ITEM                                 | LONG #    | VENDOR #       | DESCRIPTION                     | QTY.     |    |     |
|--------------------------------------|-----------|----------------|---------------------------------|----------|----|-----|
|                                      |           |                |                                 | 35       | 45 | 60  |
| 30                                   | ESL12072  | 11-33432-AA    | Rubber Bush                     | 1        | 1  | 1   |
| <b>Service Serial Number Breaks:</b> |           |                |                                 |          |    |     |
| 1                                    | ESL11339  | E7NN-10B376-A  | Alternator & Regulator Assembly | ↙ 298614 | -  | - 1 |
| -                                    | 901250    | -              | Voltage Regulator               | ↙ 298614 | -  | - 1 |
| 2                                    | ESL11335  | E6NN-10145-DA  | Arm, Alternator Belt Adjusting  | ↙ 298614 | -  | - 1 |
| 3                                    | ESL11720  | E-630028-S71   | Washer, Flat                    | ↙ 298614 | -  | - 2 |
| 4                                    | ESL11771  | E-600212-S72   | Bolt, Hex                       | ↙ 216630 | -  | - 1 |
| -                                    | ESL11770  | 73NH-10N004-A  | Bolt, Hex                       | ↙ 298614 | -  | - 1 |
| 7                                    | 33797-S8  | 33797-S36      | Nut, Hex (5/16-18)              | ↙ 298614 | -  | - 2 |
| 11                                   | 44723-S8  | 44723-S36      | Washer, Flat (5/16)             | ↙ 298614 | -  | - 2 |
| 12                                   | 304720-S8 | 304720-S36     | Bolt, Hex (5/16-18x1.25)        | ↙ 298614 | -  | - 1 |
| -                                    | 376415-S8 | 376415-S36     | Bolt, Hex (5/16-18x1.75)        | ↙ 298614 | -  | - 1 |
| 22                                   | ESL11336  | E0NN-10N334-AC | Guard Assembly, LH              | ↙ 256975 | -  | - 1 |
| 27                                   | ESL12069  | 11-93310-AA    | Bracket Assembly                | ↙ 256975 | -  | - 1 |

**ALTERNATOR & GUARD**



**BATTERY & BATTERY SUPPORT**

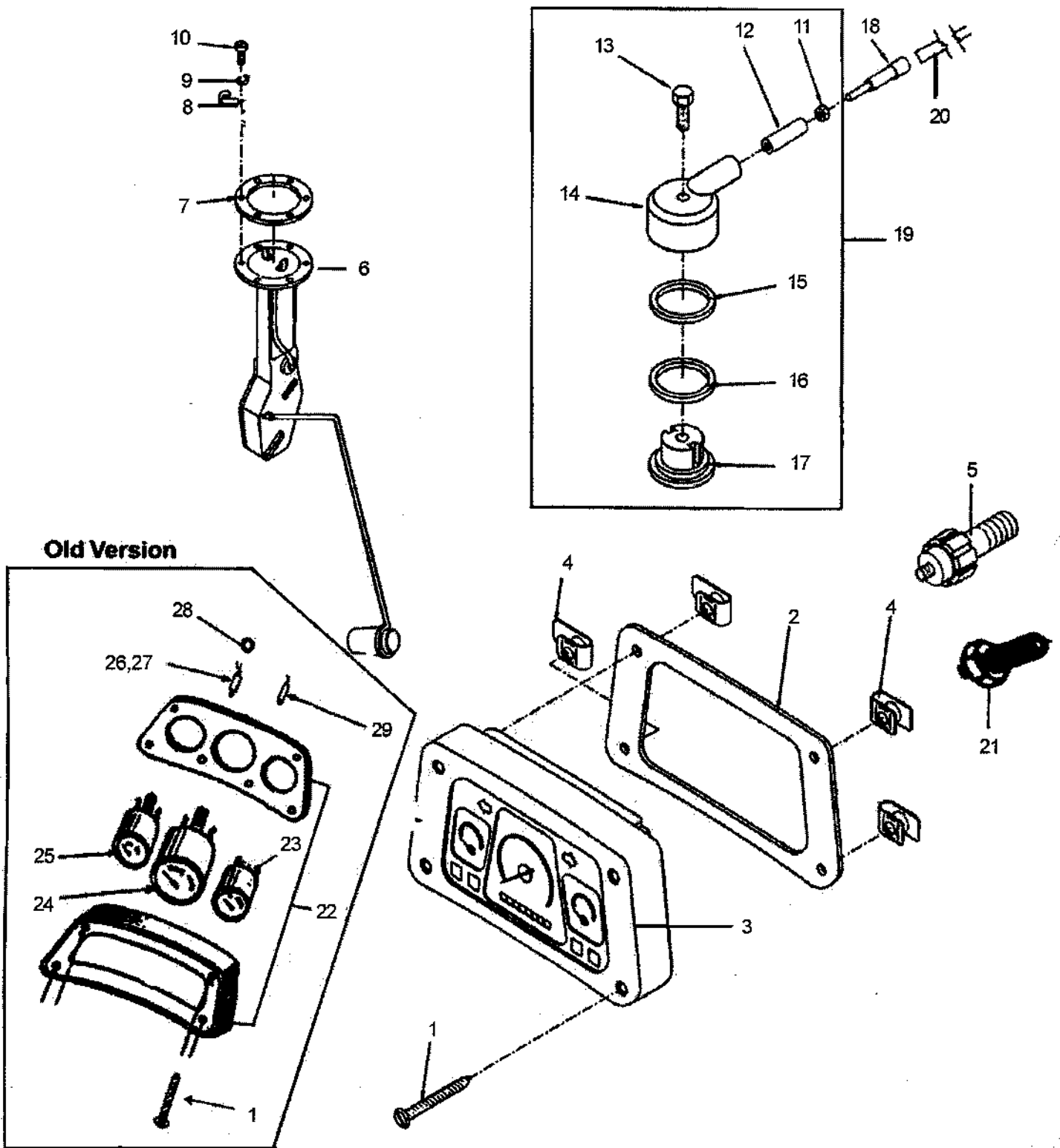
**35/45/60**

| ITEM | LONG #     | VENDOR #      | DESCRIPTION                            | QTY. |    |    |
|------|------------|---------------|--|------|----|----|
|      |            |               |  | 35   | 45 | 60 |
| 1    | 33796-S8   | 33796-S36     | Nut, Hex Head (1/4)                    | 2    | 2  | 2  |
| 2    | 44719-S8   | 44719-S36     | Washer, Flat (1/4)                     | 2    | 2  | 2  |
| 3    | ESL12547   | 12-10116-AA   | Top Plate, Battery Hold Down           | 1    | 1  | 1  |
| 4    | 383705-S8  | 383705-S36    | Nut, Hex Lock (5/16-18)                | 2    | 2  | 2  |
| 5    | 44722-S8   | 44722-S36     | Washer, Flat (5/16)                    | 2    | 2  | 2  |
| 6    | ESL12545   | 12-10160-AA   | Clamp, Battery Hold Down               | 1    | 1  | 1  |
| 7    | 799716     |               | Battery Assembly                       | 1    | 1  | 1  |
| 8    | ESL12548   | 12-10118-AA   | Pad, Battery                           | 3    | 3  | 3  |
| 9    | ESL12546   | 12-10107-AA   | Rod, Battery Hold Down                 | 2    | 2  | 2  |
| 10   | Ⓢ ESL12285 | 82835263      | Tray Assembly, Battery                 | 1    | 1  | 1  |
| 11   | ESL14521   | 22-16100-AA   | Support, Radiator Shell, Upper         | 1    | -  | -  |
| -    | ESL11352   | 91NH-8N096-AA | Support, Radiator Shell, Upper         | -    | 1  | 1  |
| 12   | 388769-S   | 388769-S      | Nut, Wing (5/16)                       | 1    | 1  | 1  |
| 13   | 44724-S8   | 44724-S36     | Washer, Flat (5/16)                    | 1    | 1  | 1  |
| 14   | ESL11773   | C5NN-10N768-B | Bolt, Battery Hold Down                | 1    | 1  | 1  |
| 15   | ESL11342   | 71NH-10769-A  | Bracket Assembly, Battery Support      | 1    | 1  | 1  |
| 16   | 34808-S8   | 34808-S36     | Washer, Lock (7/16)                    | 4    | 4  | 4  |
| 17   | 304652-S8  | 304652-S36    | Bolt, Hex Head (7/16-14x0.75)          | 4    | 4  | 4  |
| 18   | ESL11350   | C5NN-10N680-B | Pin, Battery Tray                      | 1    | 1  | 1  |
| 19   | ESL13420   | 72054-S8      | Pin, Cotter (5/32x1.25)                | 2    | 2  | 2  |
| 20   | ESL11354   | C7NN-10N663-A | Clip, Battery Cable Pad                | 2    | 2  | 2  |
| 21   | ESL11353   | C7NN-10N662-A | Pad, Battery Cable                     | 1    | 1  | 1  |
| 22   | ESL11357   | C7NN-14450-A  | Terminal, Battery Cable, Positive (NI) | 1    | 1  | 1  |
| 23   | ESL11356   | C5NN-14277-D  | Cover, Terminal Insulation (NI)        | 1    | 1  | 1  |
| 24   | ESL11358   | C7NN-14452-C  | Terminal, Battery Cable, Earth (NI)    | 1    | 1  | 1  |
| 25   | ESL11355   | 73NH-14277-A  | Boot, Terminal Insulation (NI)         | 1    | 1  | 1  |
| 26   | 23017-S2   | 23017-S2      | Bolt, Terminal (5/16-18x1.25) (NI)     | 2    | 2  | 2  |
| 27   | 33797-S2   | 33797-S2      | Nut, Hex, Terminal (5/16-18) (NI)      | 2    | 2  | 2  |

**Service Serial Number Breaks:**

|    |          |               |                        |          |   |   |   |
|----|----------|---------------|------------------------|----------|---|---|---|
| 10 | ESL11344 | 91NH-10723-AA | Tray Assembly, Battery | Ⓜ 298614 | - | - | 1 |
|----|----------|---------------|------------------------|----------|---|---|---|

**BATTERY & BATTERY SUPPORT**



**INSTRUMENT CLUSTER, TECHODRIVE & SENSORS**

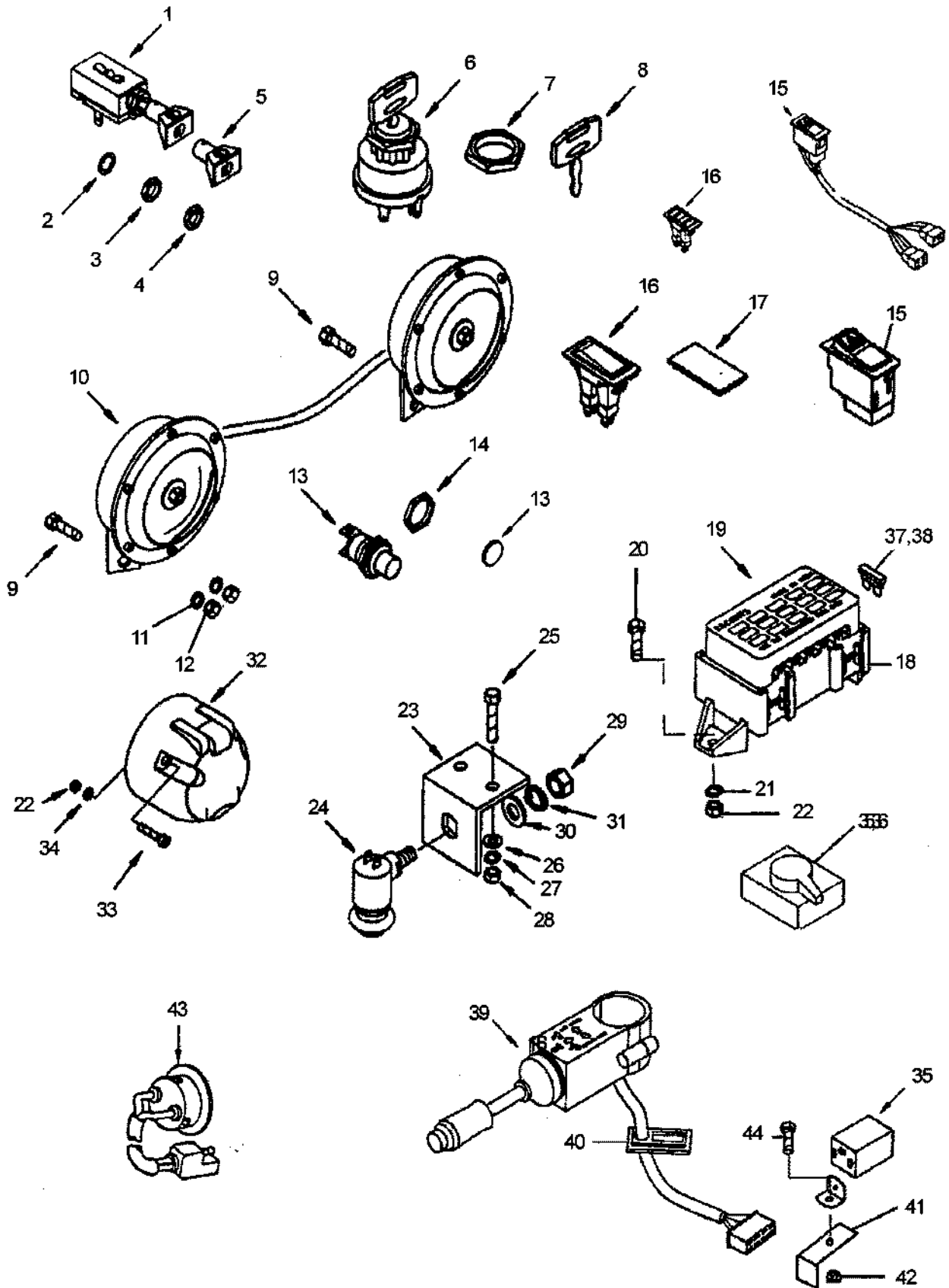


| ITEM | LONG #      | VENDOR #       | DESCRIPTION                      | QTY. |    |    |
|------|-------------|----------------|----------------------------------|------|----|----|
|      |             |                |                                  | 35   | 45 | 60 |
| 1    | ESL11889    | EXP-12158-A    | Screw, Bezel Retaining           | 4    | 4  | 4  |
| 2    | ESL13505    | 11-12949-AA    | Gasket, Instrument Cluster       | 1    | 1  | 1  |
| 3    | ESL14589    | 22-12380-AA    | Cluster Assembly, Instrument     | 1    | -  | -  |
| -    | ESL12561    | 12-12380-BA    | Cluster Assembly, Instrument     | -    | 1  | 1  |
| 4    | ESL11823    | 78NH-10N849-AA | Nut, Bezel Retaining             | 4    | 4  | 4  |
| 5    | ESL11400    | F1NN-9278-AA   | Switch Assembly, Oil Pressure    | 1    | 1  | 1  |
| 6    | ESL11390    | 11-12310-AA    | Float Assembly, Fuel Tank Sender | 1    | 1  | 1  |
| 7    | ESL14522    | 11-12276-AB    | Gasket, Fuel Tank Sender         | 1    | 1  | 1  |
| 8    | ESL11394    | D8NN-9N179-AB  | Clip                             | 1    | 1  | 1  |
| 9    | ESL12559    | 12-89145-AA    | Washer, Fuel Tank Float          | 5    | 5  | 5  |
| 10   | ESL12588    | 11-12477-AB    | Screw, Hex Head (10-32*0.625)    | 5    | 5  | 5  |
| 11   | ESL13514    | 80NH-17N271-AA | Seal, Tachodrive Adapter         | -    | 1  | 1  |
| 12   | ESL13515    | 80NH-17N268-AA | Bearing Bush, Shaft Adapter      | -    | 1  | 1  |
| 13   | N-605531-S8 | N-605531-S36   | Bolt, Hex Head (M8x1.25-20)      | -    | 1  | 1  |
| 14   | -           | -              | Body, Tachodrive Shaft (NSS)     | -    | 1  | 1  |
| 15   | ESL11408    | 87067-S94      | O'Ring                           | -    | 1  | 1  |
| 16   | ESL11407    | D3NN-17N269-A  | Ring, Tachodrive Shaft           | -    | 1  | 1  |
| 17   | -           | -              | Base, Tachodrive Adapter (NSS)   | -    | 1  | 1  |
| 18   | ESL11409    | 91NH-17N275-AA | Shaft & Cable Assembly           | -    | 1  | 1  |
| 19   | ESL13518    | D3NN-17N264-B  | Adapter Assembly, Tachodrive     | -    | 1  | 1  |
| 20   | Ⓢ ESL13716  | 11-12360-CA    | Cable Assembly, Tachometer       | -    | 1  | 1  |
| -    | ESL14523    | T11.17.828.0   | Cable Assembly, Tachometer       | 1    | -  | -  |
| 21   | ESL10238    | 11-12109-AA    | Sensor, Water Temperature        | -    | 1  | 1  |
| -    | ESL14524    | 22-12831-BA    | Sensor, Water Temperature        | 1    | -  | -  |

### Service Serial Number Breaks:

|    |          |                |  |          |   |   |   |
|----|----------|----------------|--|----------|---|---|---|
| 20 | ESL11402 | 82835140       | Cable Assembly, Tachometer             | ⌞ 227568 | - | 1 | 1 |
| -  | ESL11403 | 11-12360-AA    | Cable Assembly, Tachometer             | ⌞ 298614 | - | 1 | 1 |
| 22 | ESL11384 | 92NH-10A883-AA | Bezel Instrument Cluster               | ⌞ 298614 | - | 1 | 1 |
| 23 | ESL11396 | 11-12883-AB    | Gauge Assembly, Water Temperature      | ⌞ 298614 | - | 1 | 1 |
| 24 | ESL14525 | 12-12370-AA    | Hour Cam, RPM Meter                    | ⌞ 298614 | - | 1 | 1 |
| 25 | ESL11388 | 11-12900-AA    | Gauge Assembly, Fuel                   | ⌞ 298614 | - | 1 | 1 |
| 26 | ESL11397 | 91NH-10241-AA  | Lamp, Warning (Generator/Oil Pressure) | ⌞ 298614 | - | 2 | 2 |
| 27 | ESL11398 | ETP-3222       | Bulb, Warning Lamp                     | ⌞ 298614 | - | 2 | 2 |
| 28 | ESL11399 | 93NH-10241-AA  | Dial Washer for Lamp                   | ⌞ 298614 | - | 2 | 2 |
| 29 | ESL11389 | 73NH-17N279-A  | Bulb, Instrument Gauges                | ⌞ 298614 | - | 3 | 3 |

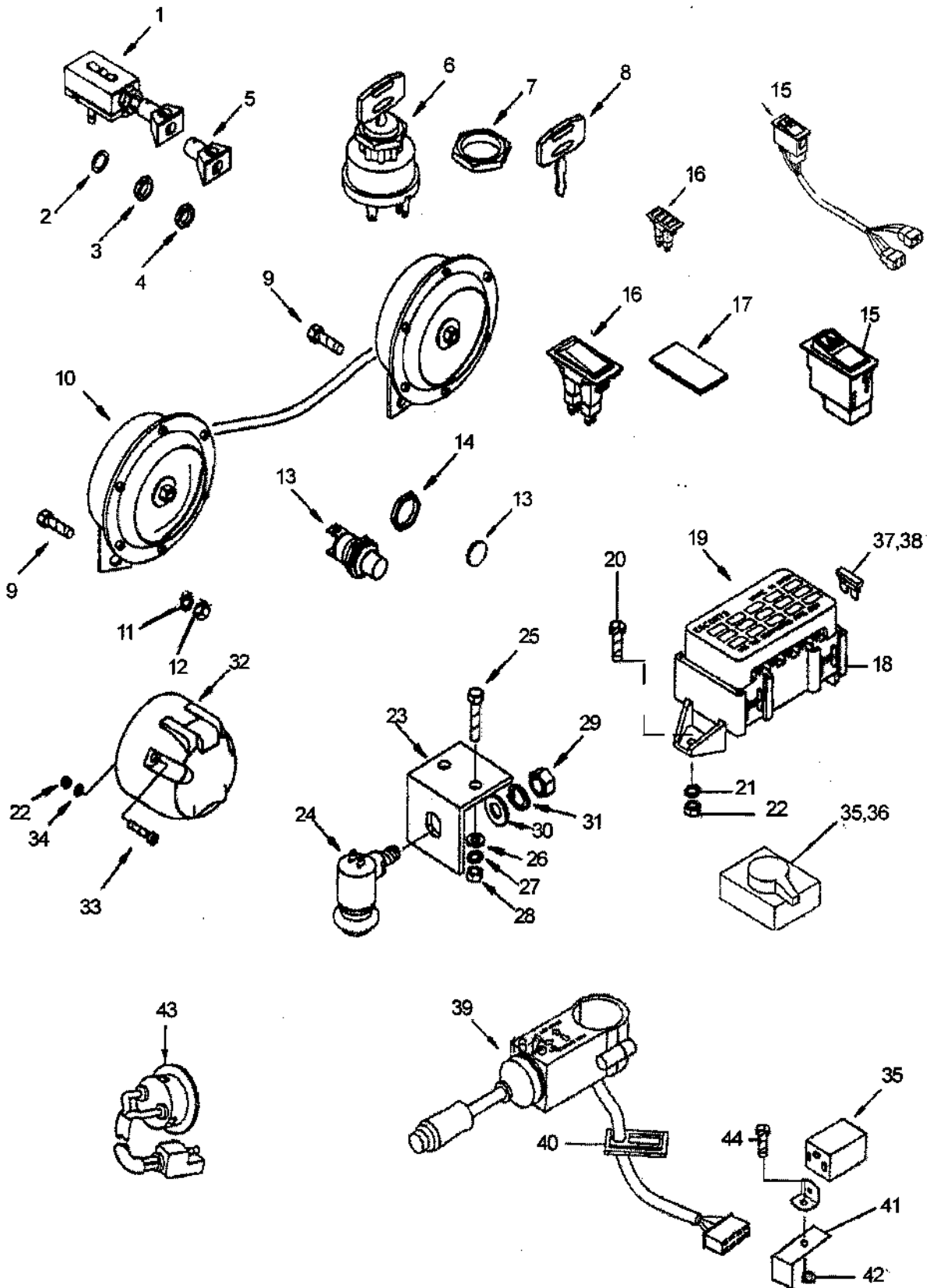
### INSTRUMENT CLUSTER, TECHODRIVE & SENSORS



**ELECTRICAL SWITCHES**

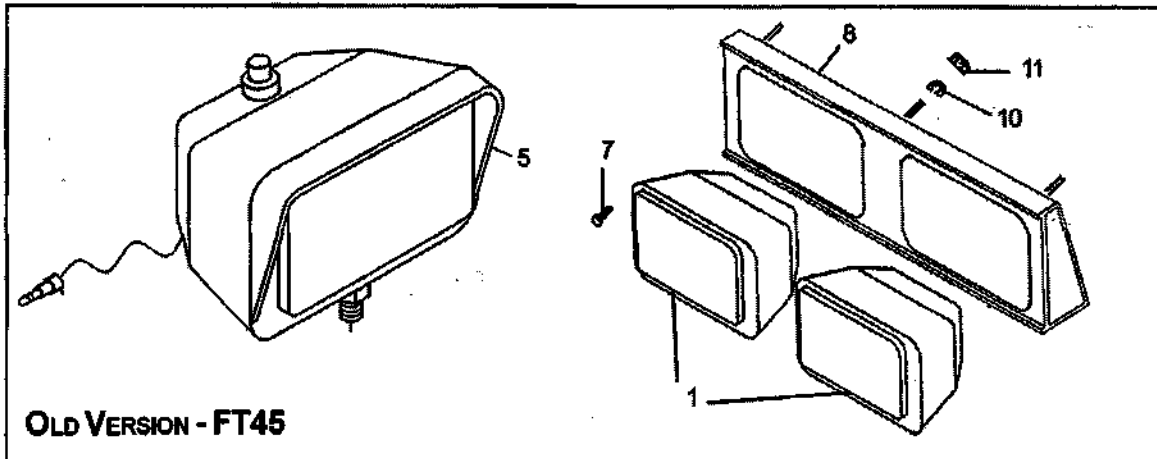
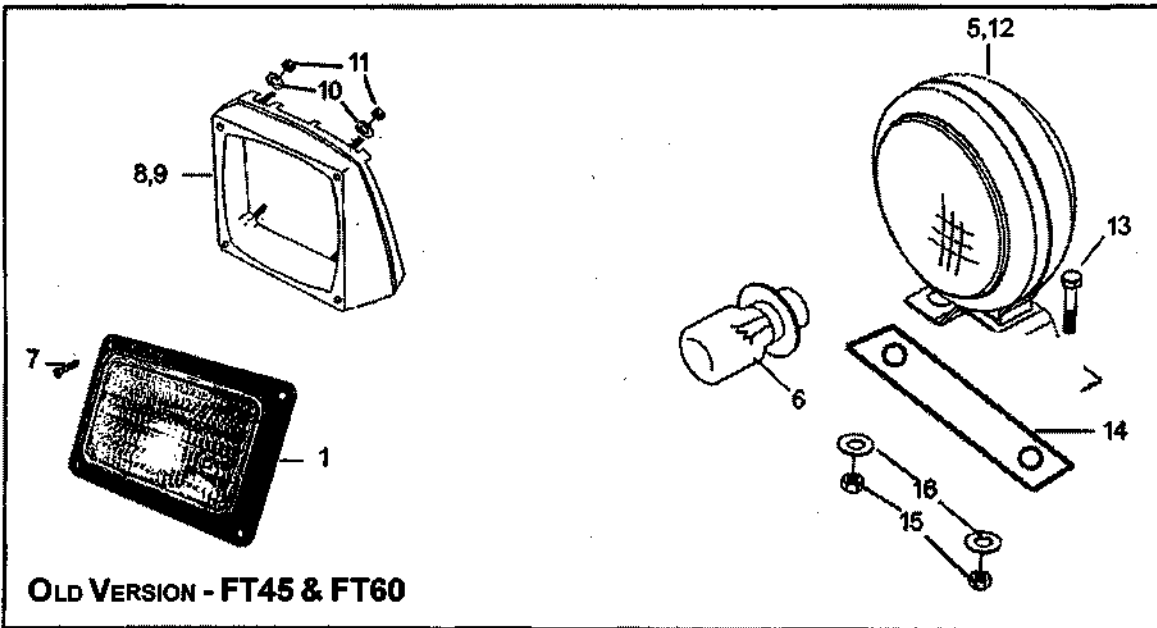
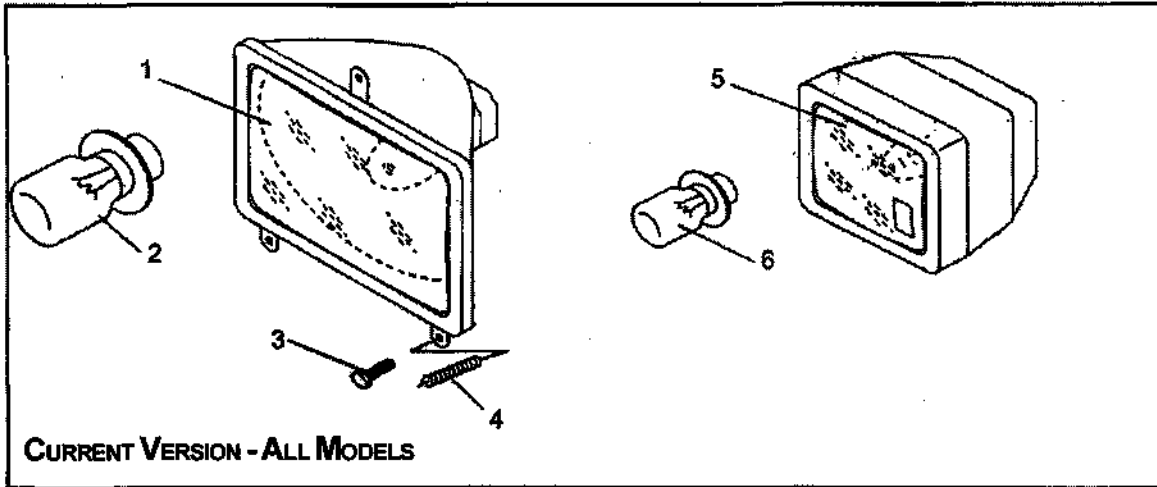
| ITEM | LONG #      | VENDOR #       | DESCRIPTION                             | QTY. |    |    |
|------|-------------|----------------|---|------|----|----|
|      |             |                |   | 35   | 45 | 60 |
| 1    | Ⓢ ESL12291  | E7NN-11654-AA  | Switch Assembly, Lighting (Rotary Type) | 1    | 1  | 1  |
| 2    | ESL11723    | 92NH-11N654-AA | Washer                                  | 1    | 1  | 1  |
| 3    | ESL11819    | 92NH-11662-A   | Nut, Lighting Switch                    | 1    | 1  | 1  |
| 4    | ESL11820    | 92NH-11662-BA  | Nut, Lighting Switch                    | 1    | 1  | 1  |
| 5    | ESL11360    | E1NN-11667-AA  | Knob, Light Switch                      | 1    | 1  | 1  |
| 6    | ESL13499    | 11-11510-AA    | Switch Assembly, Heat & Starter         | 1    | 1  | 1  |
| 7    | ESL11821    | C5NN-11N496-A  | Nut, Starter Switch                     | 1    | 1  | 1  |
| 8    | ESL11362    | 82835125       | Key, Ignition Lock                      | 1    | 1  | 1  |
| 9    | 304682-S8   | 304682-S36     | Bolt, Hex Head (5/16-18x1.00)           | 2    | 2  | 2  |
| 10   | ESL11365    | 92NH-13802-AA  | Horn Assembly, Dual Tone                | 1    | 1  | 1  |
| 11   | 34941-S8    | 34941-S36      | Washer (5/16)                           | 2    | 2  | 2  |
| 12   | 33799-S8    | 33797-S36      | Nut (5/16)                              | 2    | 2  | 2  |
| 13   | Ⓢ ESL13501  | E5NN-13A805-AA | Button Assembly, Horn Blowing           | 1    | 1  | 1  |
| 14   | ESL12454    | E62A-11502     | Nut, Horn Blowing                       | 1    | 1  | 1  |
| 15   | Ⓢ ESL13641  | 13-12350-AA    | Switch Assembly, Emergency Warning      | 1    | 1  | 1  |
| 16   | Ⓢ ESL12573  | 13-13428-AB    | Switch Assembly, Worklamp               | 1    | 1  | 1  |
| 17   | ESL11372    | 82835347       | Grommet                                 | 1    | 1  | 1  |
| 18   | Ⓢ ESL11374  | 18-13030-AA    | Fuse Box Assembly (Includes Item #19)   | 1    | 1  | 1  |
| 19   | Ⓢ ESL13734  | 18-13031-AA    | Cover, Fuse Box                         | 1    | 1  | 1  |
| 20   | ESL11887    | 54351-S36      | Screw, Pan Head (M10-24*0.62)           | 2    | 2  | 2  |
| 21   | 34803-S8    | 34803-S36      | Washer, Lock (M10)                      | 2    | 2  | 2  |
| 22   | 34053-S8    | 34053-S36      | Nut, Hex (M10-24)                       | 5    | 5  | 5  |
| 23   | ESL11378    | 93NH-13A439-CA | Bracket, Stop Lamp Switch Mounting      | 1    | 1  | 1  |
| 24   | ESL13504    | 11-13480-AA    | Switch Assembly, Stop Lamp              | 1    | 1  | 1  |
| 25   | N-606321-S8 | N-606321-S36   | Bolt Carriage (M8x1.25x20)              | 2    | 2  | 2  |
| 26   | 44722-S8    | 44722-S36      | Washer, Flat (5/16)                     | 2    | 2  | 2  |
| 27   | N-630173-S8 | N-630173-S36   | Washer, Lock (M8)                       | 2    | 2  | 2  |
| 28   | N-620013-S8 | N-620013-S36   | Nut (M8)                                | 2    | 2  | 2  |
| 29   | ESL12017    | 33799-S36      | Nut (3/8-16)                            | 1    | 1  | 1  |
| 30   | ESL12074    | 356420-S36     | Washer, Flat                            | 1    | 1  | 1  |
| 31   | 34807-S8    | 34807-S36      | Washer, Lock                            | 1    | 1  | 1  |
| 32   | ESL11381    | E6NN-13A450-AA | Socket Assembly                         | 1    | 1  | 1  |
| 33   | 54049-S8    | 54049-S36      | Screw (10-24x11.12)                     | 3    | 3  | 3  |
| 34   | 34903-S8    | 34903-S36      | Washer, Lock Internal Tooth (10)        | 3    | 3  | 3  |
| 35   | Ⓢ 789918    | 25-13360-BA    | Flasher - Indicator Assembly            | 1    | 1  | 1  |
| 36   | 792640      | -              | Handle Kit, Flasher                     | 1    | 1  | 1  |
| 37   | ESL13735    | 18-13032-AA    | Fuse (10A)                              | 2    | 2  | 2  |
| 38   | ESL13736    | 18-13033-AA    | Fuse (15A)                              | 4    | 4  | 4  |

**ELECTRICAL SWITCHES**



**ELECTRICAL SWITCHES**

| ITEM                                 | LONG #      | VENDOR #       | DESCRIPTION                           |          | QTY. |    |    |
|--------------------------------------|-------------|----------------|---------------------------------------|----------|------|----|----|
|                                      |             |                |                                       |          | 35   | 45 | 60 |
| <b>Service Serial Number Breaks:</b> |             |                |                                       |          |      |    |    |
| 1                                    | ESL11359    | 92NH-11654-AA  | Switch Assembly, Lighting (Pull Type) | ⌞ 298614 | -    | 1  | 1  |
| 13                                   | ESL11363    | 92NH-390127-AA | Grommet (Horn)                        | ⌞ 298614 | -    | 1  | 1  |
| 15                                   | ESL12464    | E4NN-13A350-AA | Switch and Wire Assembly              |          |      |    |    |
|                                      |             |                | Emergency Warning                     | ⌞ 264280 | -    | -  | 1  |
| -                                    | ESL11364    | 92NH-13A350-AA | Switch Assembly, Emergency Warning    | ⌞ 233492 | -    | -  | 1  |
| 16                                   | ESL11369    | E4NN-10C915-BA | Lamp Assembly, Indicator Warning      | ⌞ 264280 | -    | -  | 1  |
| -                                    | ESL11988    | 11-13915-AA    | Lamp Assembly, Indicator Warning      | ⌞ 298614 | -    | 1  | 1  |
| 18                                   | ESL14590    | 11-13030-AA    | Fuse Box Assembly                     | ⌞ 298614 | -    | 1  | 1  |
| 19                                   | ESL11376    | 93NH-14N060-BA | Cover Fuse Box (NSS)                  | ⌞ 298614 | -    | 1  | 1  |
| 35                                   | ESL11371    | D8NN-13N360-BB | Flasher Assembly, Indicator           | ⌞ 264280 | -    | -  | 1  |
| -                                    | ESL11370    | 92NH-13N360-AA | Flasher Assembly, Indicator           | ⌞ 298614 | -    | 1  | 1  |
| 39                                   | ESL11366    | 93NH-13R331-AA | Switch Assembly, Combination          | ⌞ 233491 | -    | -  | 1  |
| -                                    | ESL11367    | 11-13040-AA    | Switch Assembly, Combination          | ⌞ 264280 | -    | -  | 1  |
| 40                                   | ESL11996    | 11-94236-AA    | Grommet                               | ⌞ 264280 | -    | -  | 1  |
| 41                                   | ESL12303    | 11-13302-AA    | Bracket Assembly, Flasher             | ⌞ 298614 | -    | 1  | 1  |
| 42                                   | N-620012-S8 | N-620012-S36   | Nut, Hex (M6)                         | ⌞ 298614 | -    | 1  | 1  |
| 43                                   | ESL11333    | D3NN-10N311-A  | Sensor Assembly, Battery              |          |      |    |    |
|                                      |             |                | Temperature                           | ⌞ 298614 | -    | -  | 1  |
| 44                                   | N-605515-S8 | N-605515-S36   | Bolt, Hex Head (M6x1x12)              | ⌞ 298614 | -    | 1  | 1  |



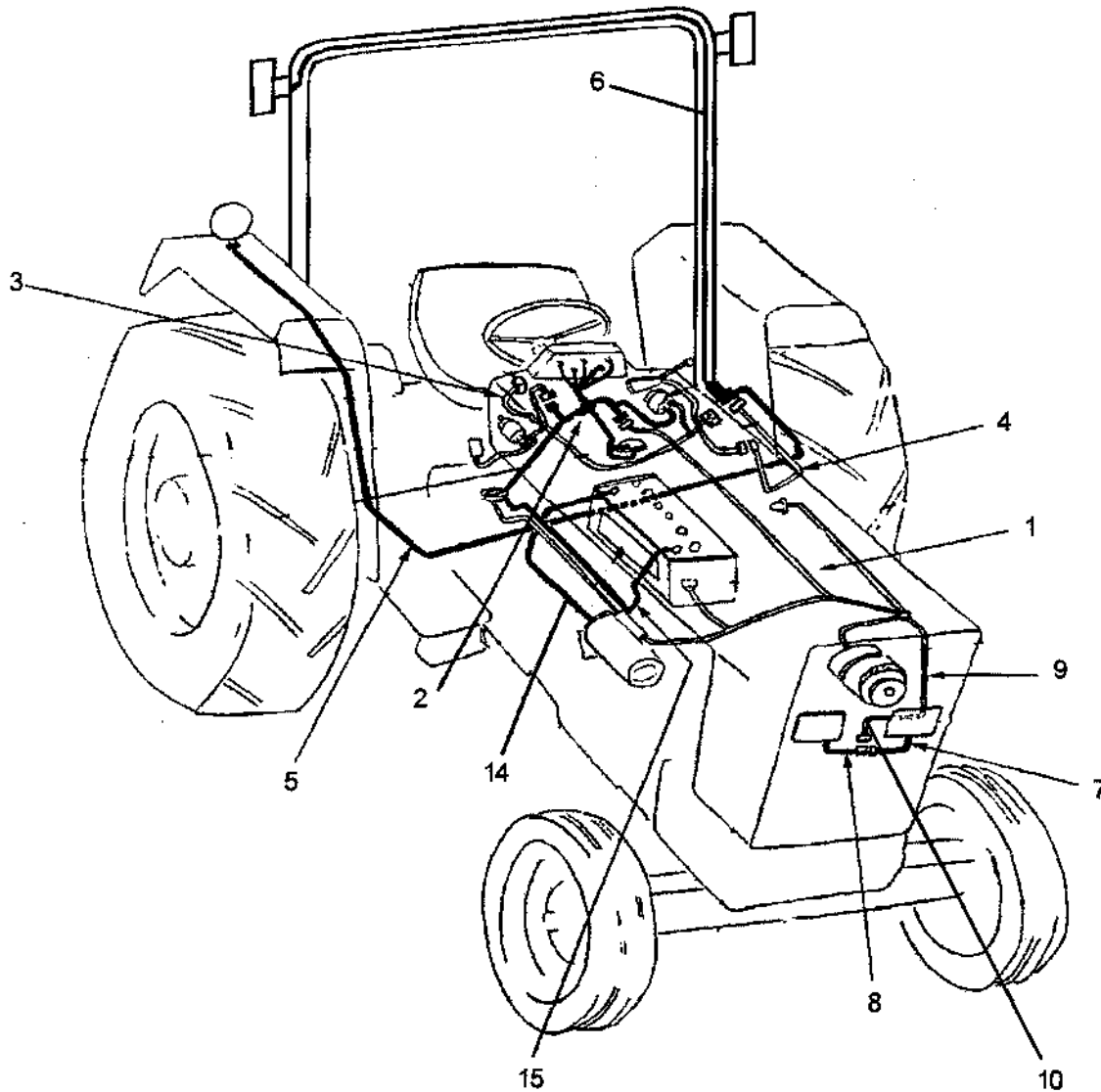
**LIGHTS**

| ITEM | LONG #     | VENDOR #    | DESCRIPTION                | QTY. |    |    |
|------|------------|-------------|----------------------------|------|----|----|
|      |            |             |                            | 35   | 45 | 60 |
| 1    | Ⓢ ESL12571 | 25-13010-BA | Head Lamp Assembly         | 2    | 2  | 2  |
| 2    | ESL13523   | 25-13009-AA | Bulb, Head Lamp (12 volts) | 2    | 2  | 2  |
| 3    | ESL13737   | 25-13011-AA | Screw, Head Lamp Adjusting | 6    | 6  | 6  |
| 4    | ESL13738   | 25-13012-AA | Spring                     | 6    | 6  | 6  |
| 5    | Ⓢ ESL14528 | 13-13420-AA | Worklamp Assembly          | 1    | 1  | 1  |
| 6    | Ⓢ ESL13524 | 13-13331-AA | Bulb, Worklamp             | 1    | 1  | 1  |

### Service Serial Number Breaks:

|    |             |                |                              |          |   |   |   |
|----|-------------|----------------|------------------------------|----------|---|---|---|
| 1  | 902419      |                | Head Lamp Assembly (LH & RH) | ↳ 298614 | - | 2 | - |
| -  | 791359      |                | Head Lamp Assembly (LH & RH) | ↳ 298614 | - | - | 2 |
| 5  | ESL11480    | 93NH-13N427-AA | Plough Lamp Assembly         | ↳ 298614 | - | - | 1 |
| -  | 901212      |                | Worklamp Assembly            | ↳ 298614 | - | 1 | - |
| 6  | ESL11470    | 80NH-15330-A   | Bulb, Plough Lamp            | ↳ 298614 | - | - | 1 |
| 7  | ESL11894    | EXP-14749-AA   | Screw, Head Lamp Mounting    | ↳ 298614 | - | 8 | 8 |
| 8  | ESL11481    | 11-13049-AB    | Bezel Head Lamp, LH          | ↳ 298614 | - | - | 1 |
| -  | ESL11991    | 12-13048-AB    | Bezel Head Lamp              | ↳ 298614 | - | 1 | - |
| 9  | ESL11482    | 11-13048-AB    | Bezel Head Lamp, RH          | ↳ 298614 | - | - | 1 |
| 10 | N-630066-S8 | N-630066-S36   | Washer                       | ↳ 298614 | - | 6 | 8 |
| 11 | ESL11830    | 93NH-17N713-AA | Nyloc Nut                    | ↳ 298614 | - | 6 | 8 |
| 12 | ESL11472    | EXP-10416-A    | Switch, Implement Lamp       | ↳ 298614 | - | - | 1 |
| 13 | ESL11775    | C5NN-N448-A    | Bolt (3/8-24)                | ↳ 298614 | - | - | 2 |
| 14 | ESL11471    | 74NH-13R312-A  | Plate, Plough Lamp Mounting  | ↳ 298614 | - | - | 1 |
| 15 | 377360-S8   | 377360-S36     | Nut, Nyloc (3/8-24)          | ↳ 298614 | - | - | 2 |
| 16 | 44726-S8    | 44726-S36      | Washer, Flat (3/8)           | ↳ 298614 | - | - | 2 |

### LIGHTS

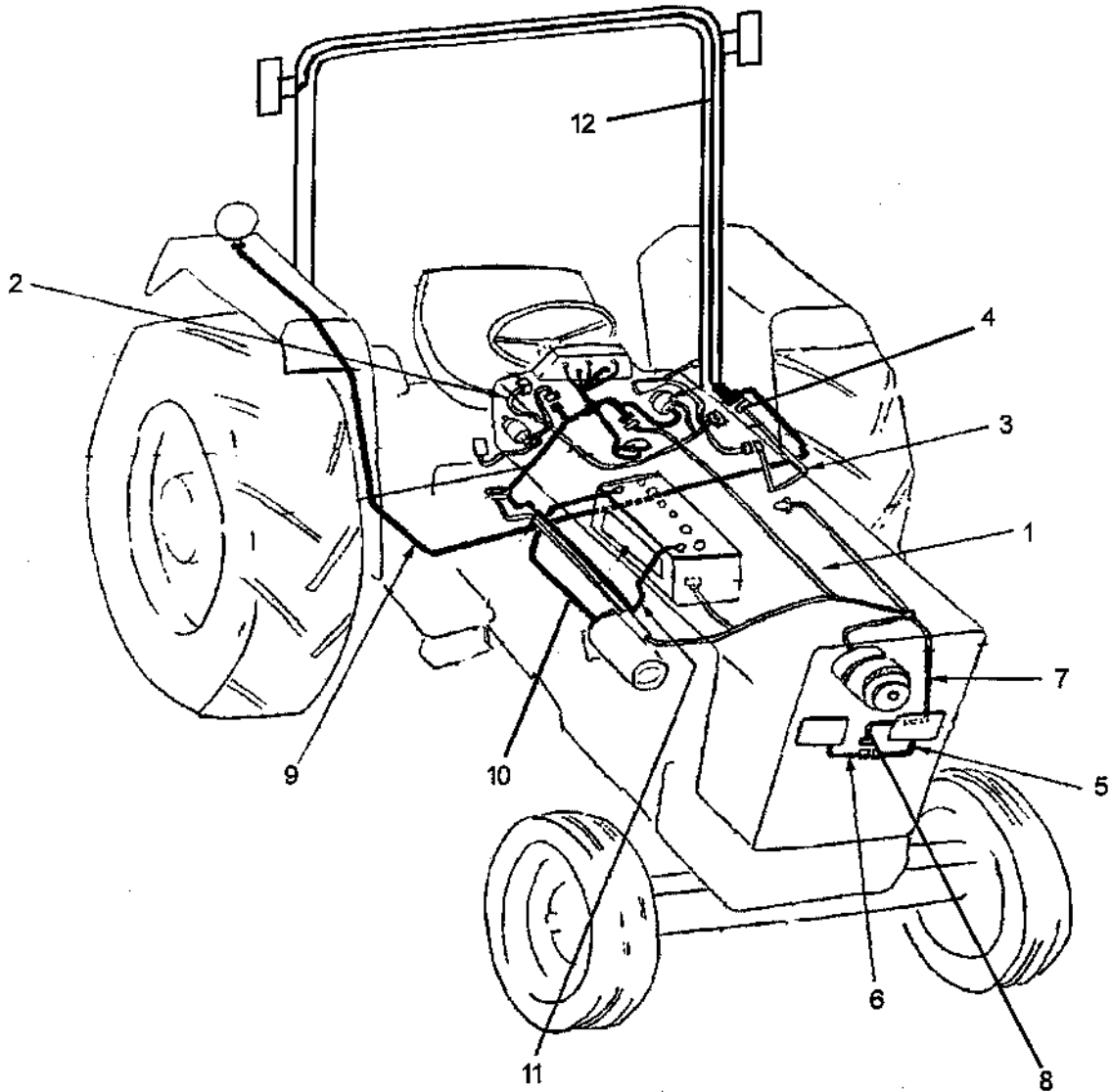


**WIRING HARNESS SYSTEM**



| ITEM             | LONG #   | VENDOR #       | DESCRIPTION                        |          | QTY. |    |    |
|------------------|----------|----------------|------------------------------------|----------|------|----|----|
|                  |          |                |                                    |          | 35   | 45 | 60 |
| <b>SECTION A</b> |          |                |                                    |          |      |    |    |
| 1                | ESL11419 | 12-11130-AA    | Wiring Harness, Main Front         | ✓ 247329 | -    | -  | 1  |
| -                | ESL11913 | 12-11130-CB    | Wiring Harness, Main Front         | ✓ 259837 | -    | -  | 1  |
| 2                | ESL11421 | 12-11140-AB    | Wiring Harness, Main Rear          | ✓ 247329 | -    | -  | 1  |
| -                | ESL11912 | 12-11140-CA    | Wiring Harness, Main Rear          | ✓ 259837 | -    | -  | 1  |
| 3                | ESL11424 | 12-13110-AC    | Wiring Harness, Switch to Fender   | ✓ 233492 | -    | -  | 1  |
| -                | ESL11425 | 12-13110-BA    | Wiring Harness, Switch to Fender   | ✓ 259837 | -    | -  | 1  |
| 4                | ESL11429 | 12-13190-AA    | Wiring Harness, Switch to R. Board | ✓ 233492 | -    | -  | 1  |
| -                | ESL11430 | 12-13190-BA    | Wiring Harness, Switch to R. Board | ✓ 259837 | -    | -  | 1  |
| 5                | ESL11433 | 12-13460-AA    | Wiring Harness, Fender RH          | ✓ 244014 | -    | -  | 1  |
| -                | ESL14567 | 12-13460-BB    | Wiring Harness, Fender RH          | ✓ 259837 | -    | -  | 1  |
| 6                | ESL12328 | 12-13180-AA    | Wiring Harness, ROPS Lamp          | ✓ 233492 | -    | -  | 1  |
| -                | ESL12329 | 12-13180-BA    | Wiring Harness, ROPS Lamp          | ✓ 264280 | -    | -  | 1  |
| 7                | ESL11437 | 12-11150-AA    | Wiring Harness, Head Lamp LH       | ✓ 259837 | -    | -  | 1  |
| 8                | ESL11438 | 12-11120-AA    | Wiring Harness, Head Lamp RH       | ✓ 259837 | -    | -  | 1  |
| 9                | ESL11447 | 11-12420-AA    | Wire Assembly, Gauge Supply Ext.   | ✓ 298614 | -    | -  | 1  |
| 10               | ESL11444 | 93NH-13N850-CA | Wire Assembly, Ground              | ✓ 298614 | -    | -  | 1  |
| 11               | ESL10239 | 11-12800-AA    | Wire, Temperature Sensor           | ✓ 247329 | -    | -  | 1  |
| 12               | ESL10236 | 11-11010-AA    | Wire, Thermostat (NI)              | ✓ 298614 | -    | -  | 1  |
| 13               | ESL11446 | 93NH-14K064-AA | Wire Assembly, Instrument Lamp     | ✓ 298614 | -    | -  | 1  |
| 14               | ESL11441 | 73NH-14N330-A  | Cable Assembly, Battery to Starter |          | -    | -  | 1  |
| 15               | ESL11439 | 73NH-14301-A   | Cable Assembly, Battery to Ground  |          | -    | -  | 1  |
| 16               | ESL11354 | C7NN-10N663-A  | Clip, Battery Cable (NI)           |          | -    | -  | 1  |
| 17               | ESL11465 | 73NH-14N004-A  | Strap, Battery Cable (NI)          |          | -    | -  | 4  |
| 18               | ESL11463 | D5NN-14197-A   | Clip, Wiring (NI)                  |          | -    | -  | 1  |
| 19               | ESL14529 | 89NH-14N004-AA | Strap, Wiring (NI)                 |          | -    | -  | 1  |
| 20               | ESL11460 | 82835100       | Clip, Wiring (NI)                  |          | -    | -  | 1  |
| 21               | ESL11461 | 82835101       | Clip, Wiring (NI)                  |          | -    | -  | 1  |

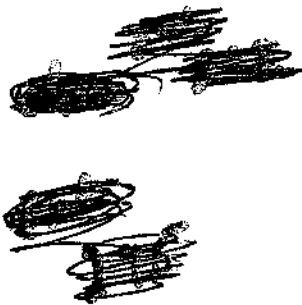
NOTE: Use Section A only for tractors having serial number up to and including #259837  
(Tractors equipped with combination switch)

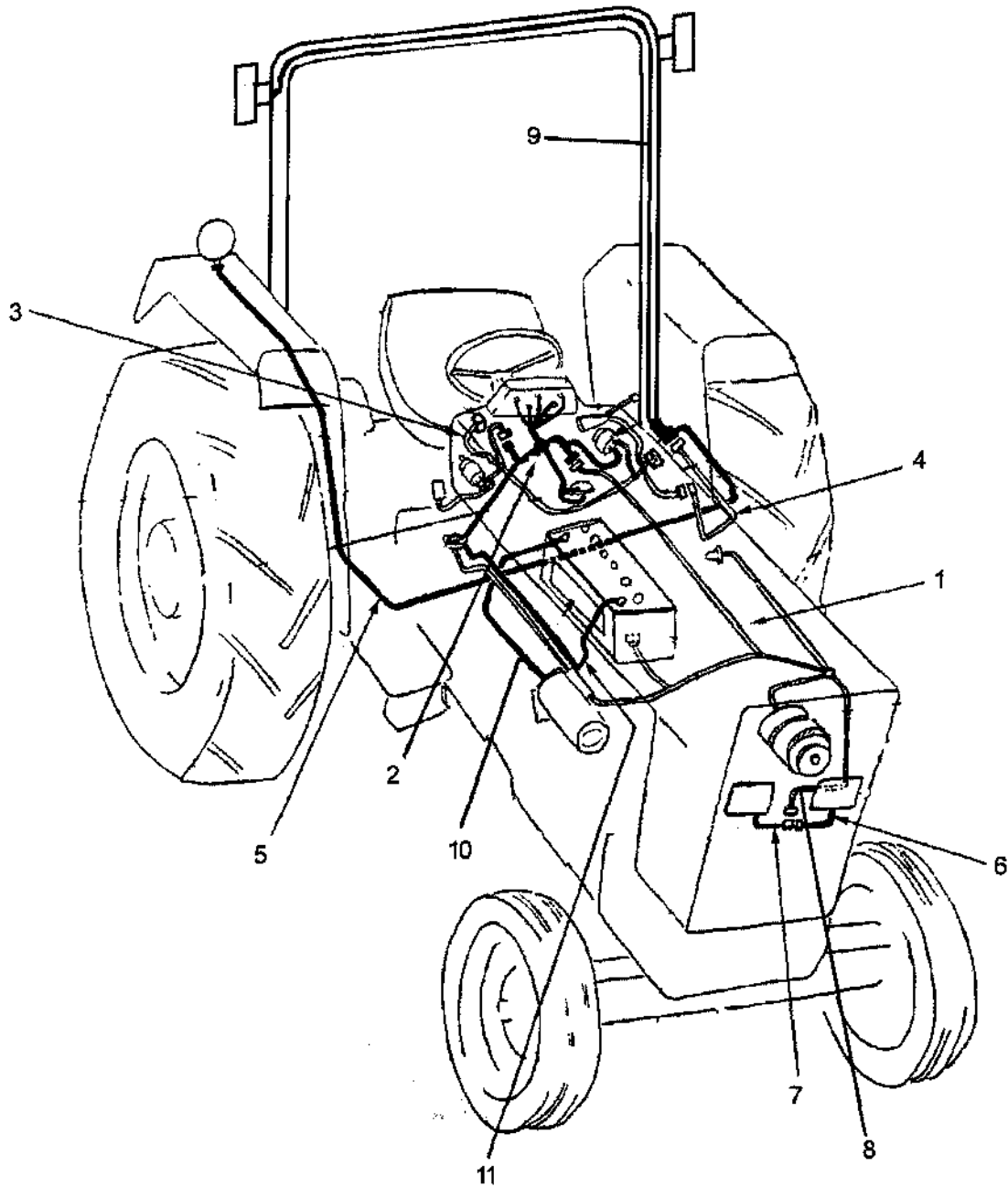


**WIRING HARNESS SYSTEM**

| ITEM             | LONG #   | VENDOR #       | DESCRIPTION                         | QTY.     |    |     |
|------------------|----------|----------------|-------------------------------------|----------|----|-----|
|                  |          |                |                                     | 35       | 45 | 60  |
| <b>SECTION B</b> |          |                |                                     |          |    |     |
| 1                | ESL14535 | 16-13300-AA    | Wiring Harness, Main Front          | ✓ 264280 | -  | - 1 |
| 2                | ESL12320 | 12-13110-AA    | Wiring Harness, Switch to Fender    | ✓ 264280 | -  | - 1 |
| 3                | ESL12321 | 13-13190-AA    | Wiring Harness, Switch to R. Board  | ✓ 264280 | -  | - 1 |
| 4                | ESL12327 | 12-13440-AA    | Wiring Harness, Fender LH           | ✓ 264280 | -  | - 1 |
| 5                | ESL11992 | 13-11150-AA    | Wiring Harness, Head Lamp LH        | ✓ 298614 | -  | - 1 |
| 6                | ESL11993 | 13-11120-AA    | Wiring Harness, Head Lamp RH        | ✓ 298614 | -  | - - |
| 7                | ESL11447 | 11-12420-AA    | Wire Assembly, Gauge Supply Ext.    | ✓ 298614 | -  | - 1 |
| 8                | ESL11444 | 93NH-13N850-CA | Wire Assembly, Ground               | ✓ 298614 | -  | - 1 |
| 9                | ESL12323 | 14-13460-AA    | Wiring Harness, Fender RH           | ✓ 264280 | -  | - 1 |
| 10               | ESL11441 | 73NH-14N330-A  | Cable Assembly, Battery to Starter  |          | -  | - 1 |
| 11               | ESL11439 | 73NH-14301-A   | Cable Assembly, Battery to Ground   |          | -  | - 1 |
| 12               | ESL12329 | 12-13180-BA    | Wiring Harness, ROPS Lamp           | ✓ 264280 | -  | - 1 |
| 13               | ESL10236 | 11-11010-AA    | Wire, Thermostat (NI)               | ✓ 298614 | -  | - 1 |
| 14               | ESL11446 | 93NH-14K064-AA | Wire Assembly, Instrument Lamp (NI) | ✓ 298614 | -  | - 1 |
| 15               | ESL11354 | C7NN-10N863-A  | Clip, Battery Cable (NI)            |          | -  | - 1 |
| 16               | ESL11465 | 73NH-14N004-A  | Strap, Battery Cable (NI)           |          | -  | - 4 |
| 17               | ESL11463 | D5NN-14197-A   | Clip, Wiring (NI)                   |          | -  | - 1 |
| 18               | ESL14529 | 89NH-14N004-AA | Strap, Wiring (NI)                  |          | -  | - 1 |
| 19               | ESL11460 | 82835100       | Clip, Wiring (NI)                   |          | -  | - 1 |
| 20               | ESL11461 | 82835101       | Clip, Wiring (NI)                   |          | -  | - 1 |

**NOTE:** Use Section B only for tractors having serial number from #259838 to #264280 (Tractors equipped with combination switch)

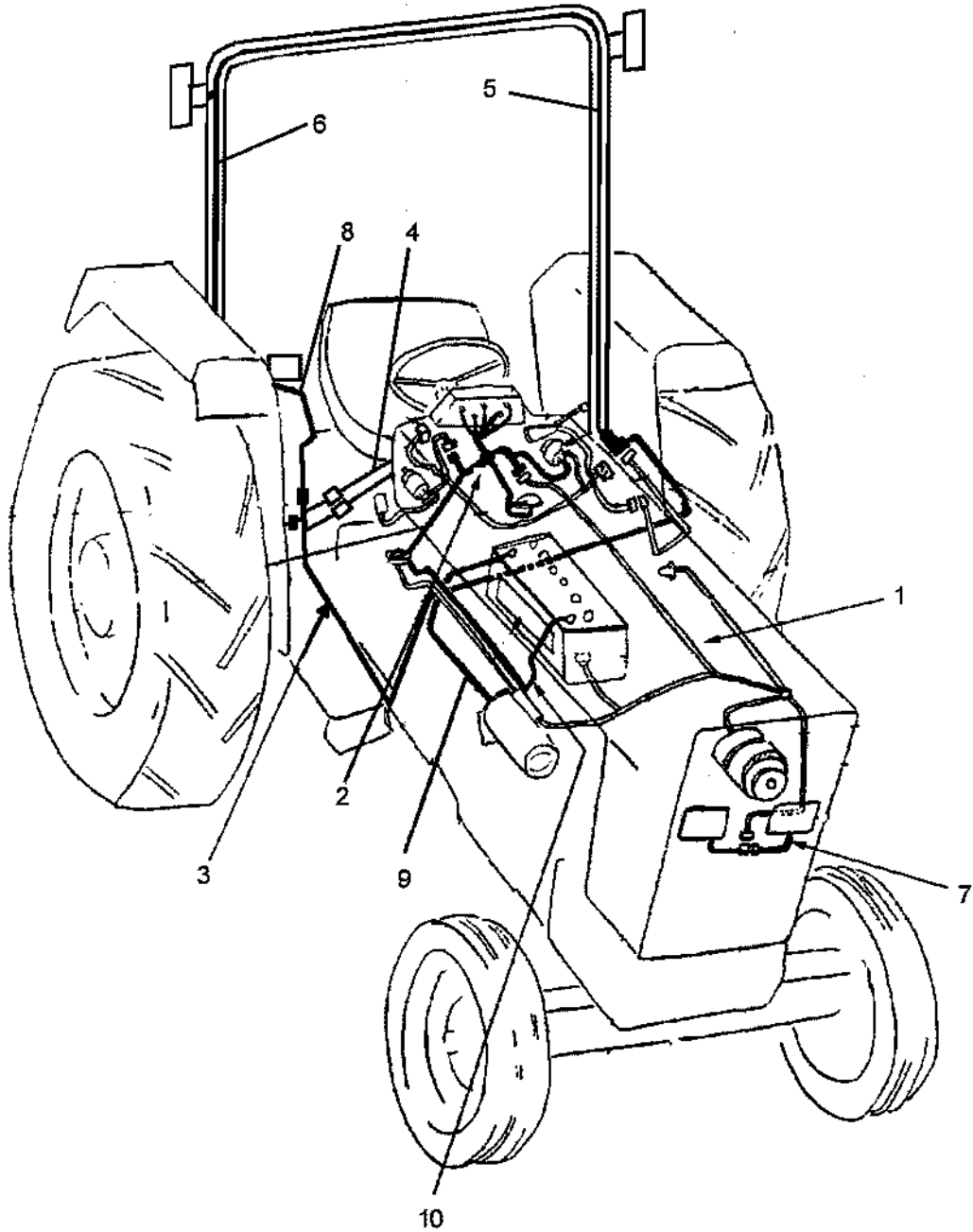




**WIRING HARNESS SYSTEM**

| ITEM             | LONG #   | VENDOR #       | DESCRIPTION                         |          | QTY. |    |    |
|------------------|----------|----------------|-------------------------------------|----------|------|----|----|
|                  |          |                |                                     |          | 35   | 45 | 60 |
| <b>SECTION C</b> |          |                |                                     |          |      |    |    |
| 1                | ESL11994 | 14-11130-AA    | Wiring Harness, Main Front          | ↳ 299725 | -    | 1  | -  |
| -                | ESL11913 | 12-11130-CB    | Wiring Harness, Main Front          | ↳ 298614 | -    | -  | 1  |
| 2                | ESL11995 | 14-11140-AA    | Wiring Harness, Main Rear           | ↳ 298614 | -    | 1  | 1  |
| 3                | ESL11985 | 13-13110-AA    | Wiring Harness, Switch to Fender    | ↳ 298614 | -    | 1  | 1  |
| 4                | ESL11986 | 14-13190-AA    | Wiring Harness, Switch to R. Board  | ↳ 298614 | -    | 1  | 1  |
| 5                | ESL11990 | 13-13460-AA    | Wiring Harness, Fender RH           | ↳ 298614 | -    | 1  | 1  |
| 6                | ESL12330 | 14-11150-AA    | Wiring Harness, Head Lamp LH        | ↳ 280661 | -    | 1  | -  |
| -                | ESL11992 | 13-11150-AA    | Wiring Harness, Head Lamp LH        | ↳ 298614 | -    | -  | 1  |
| 7                | ESL12331 | 14-11120-AA    | Wiring Harness, Head Lamp LH        | ↳ 280661 | -    | 1  | -  |
| -                | ESL11993 | 13-11120-AA    | Wiring Harness, Head Lamp RH        | ↳ 298614 | -    | -  | 1  |
| 8                | ESL11444 | 93NH-13N850-CA | Wire Assembly, Ground               | ↳ 298614 | -    | 1  | 1  |
| 9                | ESL11989 | 13-13180-AA    | Wiring Harness, ROPS Lamp           | ↳ 298614 | -    | 1  | 1  |
| 10               | ESL11441 | 73NH-14N330-A  | Cable Assembly, Battery to Starter  |          | -    | 1  | 1  |
| 11               | ESL11439 | 73NH-14301-A   | Cable Assembly, Battery to Ground   |          | -    | 1  | 1  |
| 12               | ESL10236 | 11-11010-AA    | Wire, Thermostat (NI)               | ↳ 298614 | -    | 1  | 1  |
| 13               | ESL11446 | 93NH-14K064-AA | Wire Assembly, Instrument Lamp (NI) | ↳ 298614 | -    | 1  | 1  |
| 14               | ESL11354 | C7NN-10N663-A  | Clip, Battery Cable (NI)            |          | -    | 1  | 1  |
| 15               | ESL11465 | 73NH-14N004-A  | Strap, Battery Cable (NI)           |          | -    | 4  | 4  |
| 16               | ESL11463 | D5NN-14197-A   | Clip, Wiring (NI)                   |          | -    | 1  | 1  |
| 17               | ESL14529 | 89NH-14N004-AA | Strap, Wiring (NI)                  |          | -    | 1  | 1  |
| 18               | ESL11460 | 82835100       | Clip, Wiring (NI)                   |          | -    | 1  | 1  |
| 19               | ESL11461 | 82835101       | Clip, Wiring (NI)                   |          | -    | 1  | 1  |

**NOTE:** Use Section C only for tractors having serial number from #264281 to #298614/299725  
(Tractors not equipped with combination switch)



**WIRING HARNESS SYSTEM**

**35/45/60**

| ITEM             | LONG #     | VENDOR #       | DESCRIPTION  | QTY. |    |    |
|------------------|------------|----------------|--|------|----|----|
|                  |            |                |  | 35   | 45 | 60 |
| <b>SECTION D</b> |            |                |  |      |    |    |
| 1                | Ⓢ ESL13705 | 27-13140-BA    | Wiring Harness, Main   | 1    | 1  | 1  |
| 2                | Ⓢ ESL13711 | 27-13130-BA    | Wiring Harness, Instrument Panel   | 1    | 1  | 1  |
| 3                | Ⓢ ESL14530 | 20-13110-BA    | Wiring Harness, Tail   | 1    | 1  | 1  |
| 4                | ESL14531   | 27-13160-AB    | Wiring Harness, Tractor Socket<br>(Used only on Serial Number 304174 and up) | 1    | 1  | 1  |
| 5                | Ⓢ ESL13709 | 27-13170-AA    | Wiring Harness, ROPS Lamp, LH  | 1    | 1  | 1  |
| 6                | Ⓢ ESL12565 | 27-13180-AA    | Wiring Harness, ROPS Lamp, RH  | 1    | 1  | 1  |
| 7                | ESL12567   | 27-13190-AA    | Wiring Harness, Earth (Head Lamp)  | 1    | 1  | 1  |
| 8                | Ⓢ ESL14532 | 20-13200-AA    | Wiring Harness, Work Lamp  | 1    | 1  | 1  |
| 9                | ESL14533   | 22-13230-AA    | Cable Assembly, Battery to Starter   | 1    | -  | -  |
| -                | ESL11441   | 73NH-14N330-A  | Cable Assembly, Battery to Starter   | -    | 1  | 1  |
| 10               | ESL14534   | 22-13201-AB    | Cable Assembly, Battery to Ground  | 1    | -  | -  |
| -                | ESL11439   | 73NH-14301-A   | Cable Assembly, Battery to Ground  | -    | 1  | 1  |
| 11               | ESL11354   | C7NN-10N663-A  | Clip, Battery Cable (NI)   | 1    | 1  | 1  |
| 12               | ESL11465   | 73NH-14N004-A  | Strap, Battery Cable (NI)  | 4    | 4  | 4  |
| 13               | ESL11463   | D5NN-14197-A   | Clip, Wiring (NI)  | 1    | 1  | 1  |
| 14               | ESL14529   | 89NH-14N004-AA | Strap, Wiring (NI)   | 1    | 1  | 1  |
| 15               | ESL11460   | 82835100       | Clip, Wiring (NI)  | 1    | 1  | 1  |
| 16               | ESL11461   | 82835101       | Clip, Wiring (NI)  | 1    | 1  | 1  |

**Service Serial Number Breaks:**

|     |          |             |                                  |          |   |   |   |
|-----|----------|-------------|----------------------------------|----------|---|---|---|
| 1   | ESL12568 | 27-13140-AA | Wiring Harness, Main             | ⌞ 304173 | - | 1 | 1 |
| 2   | ESL12569 | 27-13130-AA | Wiring Harness, Instrument Panel | ⌞ 304173 | - | 1 | 1 |
| 3   | ESL12563 | 20-13110-AA | Wiring Harness, Tail             | ⌞ 304173 | - | 1 | 1 |
| 5,6 | ESL12565 | 27-13180-AA | Wiring Harness, ROPS Lamp        | ⌞ 304173 | - | 2 | 2 |
| 8   | ESL14568 | 27-13200-AB | Wiring Harness, Work Lamp        | ⌞ 304173 | - | 1 | 1 |

**NOTE:** Use Section D only for tractors having serial number #298615 and later  
(Tractors not equipped with combination switch)

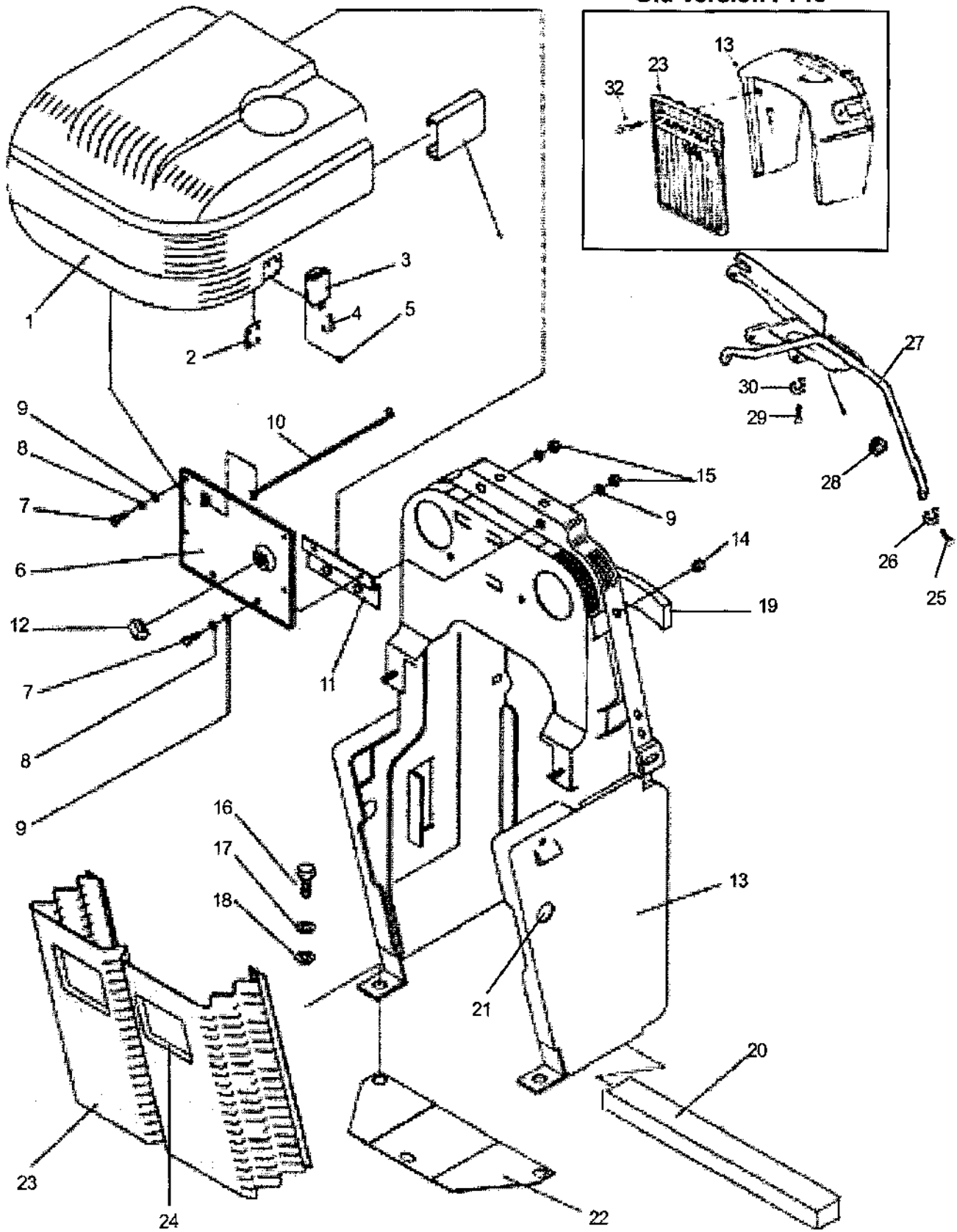
---

# Notes



# ***SHEET METAL & ACCESSORIES***

**Old Version FT45**



**RADIATOR SHELL**



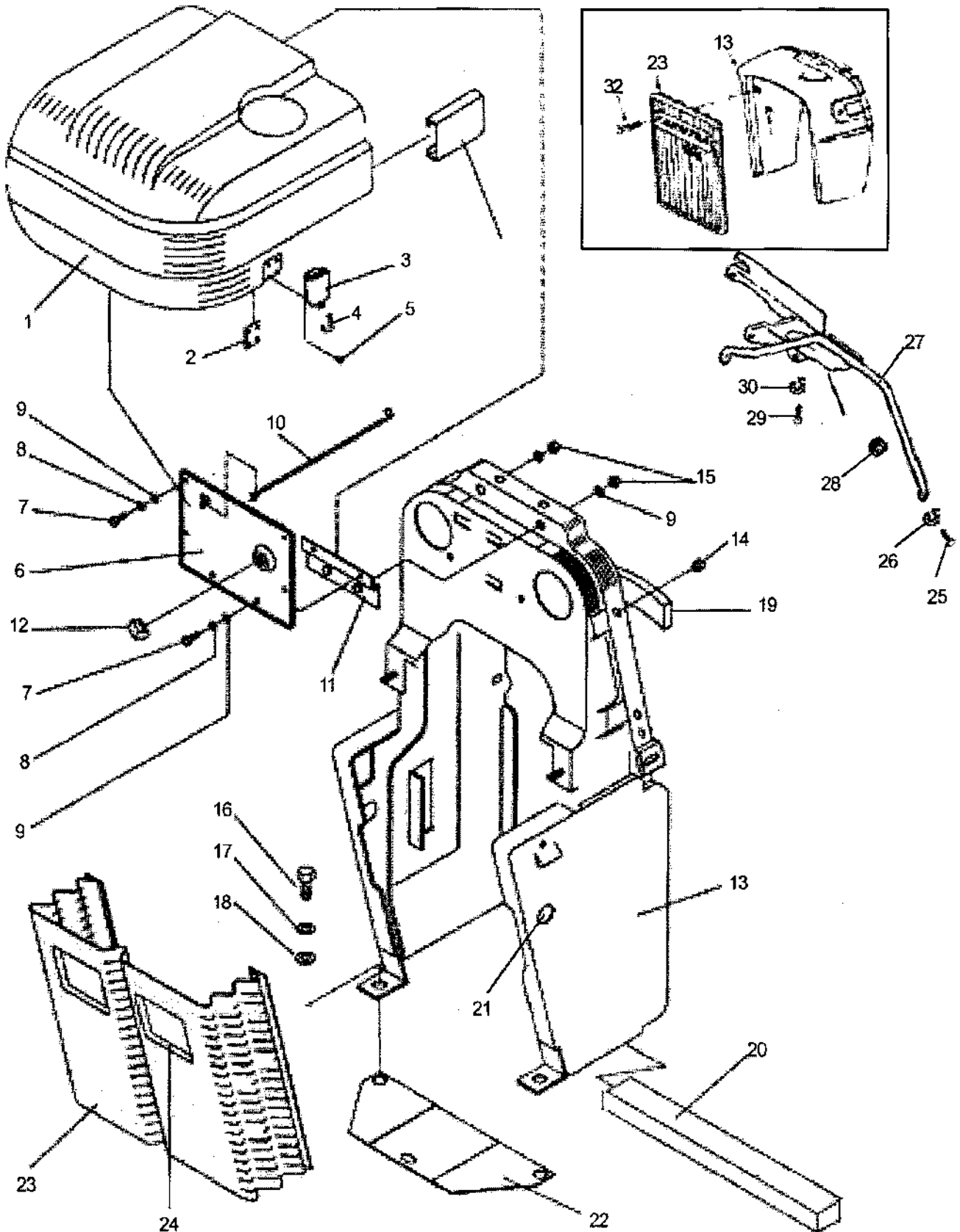
| ITEM | LONG #      | VENDOR #       | DESCRIPTION                               | QTY. |    |    |
|------|-------------|----------------|---|------|----|----|
|      |             |                |   | 35   | 45 | 60 |
| 1    | S ESL11498  | 91NH-16A837-AA | Panel Assembly, Hood Top                  | 1    | 1  | 1  |
| 2    | ESL11500    | E1NN-16874-AA  | Plate Hood Latch                          | 2    | 2  | 2  |
| 3    | ESL13537    | 11-18570-AA    | Latch Assembly, Hood(Includes Item #4)    | 2    | 2  | 2  |
| 4    | ESL11895    | 11-19701-AA    | Adjusting Screw, Hood Latch               | 2    | 2  | 2  |
| 5    | ESL11501    | 87NH-16N785-AA | Adjusting Screw, Hood Latch               | 2    | 2  | 2  |
| 6    | ESL11502    | 87NH-16N910-AC | Plate, Hood Top Front                     | 1    | 1  | 1  |
| 7    | ESL11937    | N-605515-S36   | Bolt, Hex Head (M6x1.00-12)               | 6    | 6  | 6  |
| 8    | N-630317-S8 | N-630317-S36   | Washer, External Tooth                    | 6    | 6  | 6  |
| 9    | N-630067-S8 | N-630067-S36   | Washer, Flat (M6)                         | 8    | 8  | 8  |
| 10   | ESL11504    | E0NN-16N908-AA | Prop, Hood Top Front Panel                | 1    | 1  | 1  |
| 11   | ESL13719    | 93NH-16N906-AA | Hinge Assembly, Hood Top Front Panel      | 1    | 1  | 1  |
| 12   | ESL11505    | E0NN-16N900-AB | Bumper, Hood Top                          | 1    | 1  | 1  |
| 13   | Ⓢ ESL11490  | 82835432       | Shell Assembly, Radiator                  | 1    | 1  | 1  |
| 14   | ESL11507    | C5NN-16N655-A  | Pad, Hood Mounting                        | 14   | 14 | 14 |
| 15   | N-620012-S8 | N-620012-S36   | Nut (M6x1.0)                              | 2    | 2  | 2  |
| 16   | 304650-S8   | 304650-S36     | Bolt, Hex Head (3/8-16x0.75)              | 4    | 4  | 4  |
| 17   | 44728-S8    | 44728-S36      | Washer, Flat (3/8)                        | 4    | 4  | 4  |
| 18   | 34942-S8    | 34942-S36      | Washer, Flat Tooth (3/8)                  | 4    | 4  | 4  |
| 19   | Ⓢ ESL11493  | 90NH-8N301-AA  | Seal Radiator                             | -    | 3  | 3  |
| 20   | Ⓢ ESL11494  | 90NH-8N036-AA  | Seal Radiator                             | -    | 1  | 1  |
| 21   | ESL10230    | 11-94214-AA    | Grommet, Round                            | 2    | 2  | 2  |
| 22   | ESL11519    | 93NH-8N095-AA  | Baffle Assembly, Front Axle Support       | 1    | 1  | 1  |
| 23   | Ⓢ ESL12609  | 25-18250-BA    | Grill Assembly, Front (Includes Item #24) | 1    | 1  | 1  |
| 24   | ESL12610    | 25-18251-AA    | Rubber Beading, Head Lamp                 | 2    | 2  | 2  |
| 25   | 304665-S8   | 304665-S36     | Bolt, Hex Head (5/16-24x0.88)             | 2    | 2  | 2  |
| 26   | 44722-S8    | 44722-S36      | Washer, Flat (5/16)                       | 2    | 2  | 2  |
| 27   | Ⓢ ESL14521  | 22-16100-AA    | Support, Radiator Shell                   | 1    | -  | -  |
| -    | ESL11352    | 91NH-8N096-AA  | Support, Radiator Shell                   | -    | 1  | 1  |
| 28   | 33798-S8    | 33798-S36      | Nut, Hex (5/16-24)                        | 2    | 2  | 2  |
| 29   | 304652-S8   | 304652-S36     | Bolt, Hex Head (7/16-14x0.75)             | -    | 2  | 2  |
| -    | ESL14457    | 22-80094-AA    | Bolt, Hex Head                            | 2    | -  | -  |
| 30   | 44730-S8    | 44730-S36      | Washer, Lock (7/16)                       | -    | 2  | 2  |
| -    | N-630174-S8 | N-630174-S36   | Washer, Lock (M10)                        | 2    | -  | -  |
| 31   | ESL11499    | 87NH-16N900-AA | Bumper                                    | 6    | 6  | 6  |

Service Serial Number Breaks:

|      |          |             |                          |          |   |   |   |
|------|----------|-------------|--------------------------|----------|---|---|---|
| 1,13 | ESL11997 | 11-18220-AB | Shell Assembly, Radiator | ↳ 299726 | - | 1 | - |
|------|----------|-------------|--------------------------|----------|---|---|---|

RADIATOR SHELL

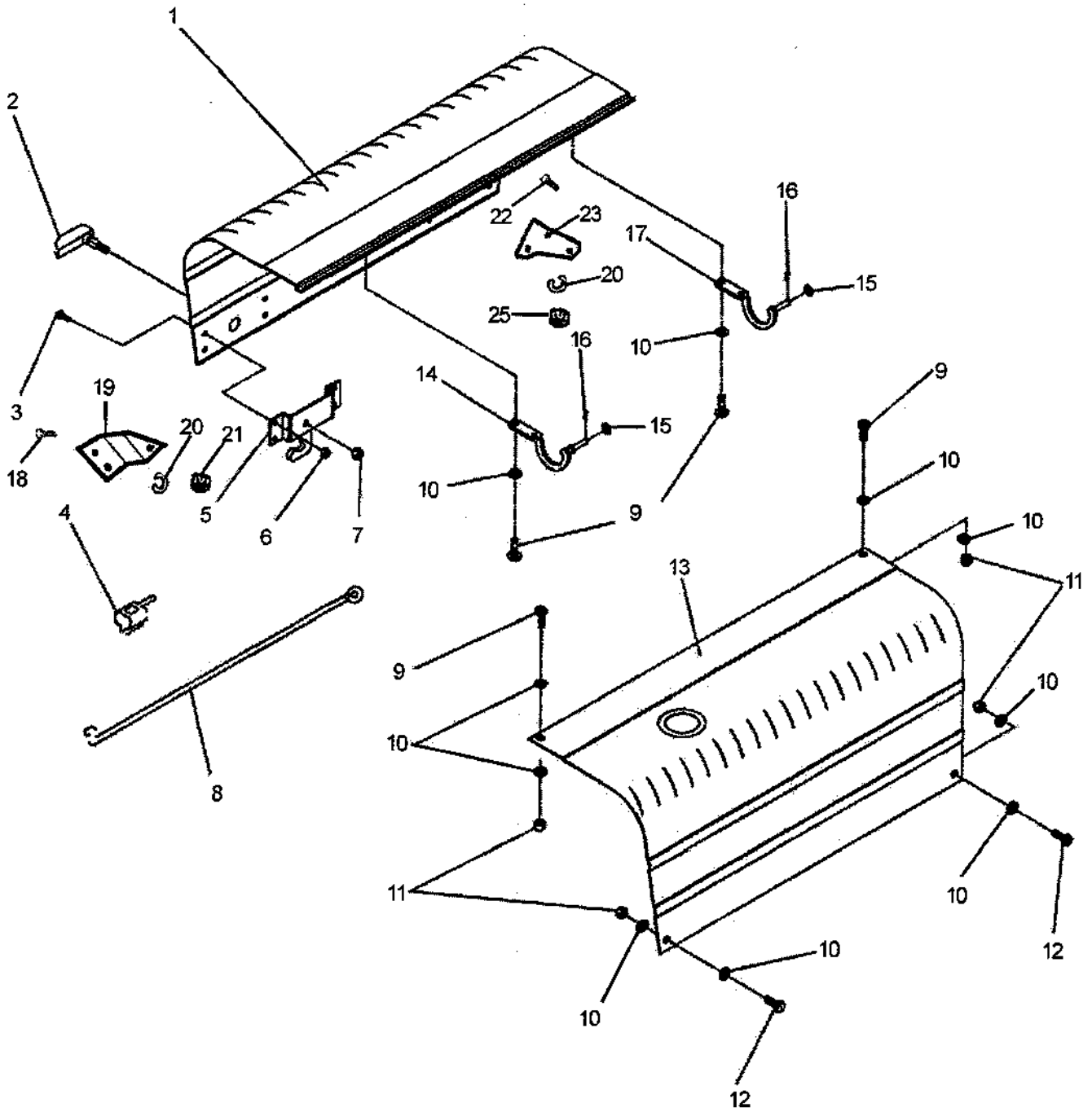
**Old Version FT45**



**RADIATOR SHELL**

| ITEM | LONG #   | VENDOR #     | DESCRIPTION                   |          | QTY. |    |    |
|------|----------|--------------|-------------------------------|----------|------|----|----|
|      |          |              |                               |          | 35   | 45 | 60 |
| 19   | ESL12344 | C5NN-8348-B  | Seal, Radiator Side           | ↳ 299726 | -    | 2  | -  |
| 20   | ESL12343 | C5NN-8A256-A | Seal, Radiator Center         | ↳ 299726 | -    | 1  | -  |
| 23   | ESL11497 | 82835435     | Grille Assembly, Front        | ↳ 298614 | -    | -  | 1  |
| -    | ESL11998 | 12-19200-AA  | Grille Assembly, Front        | ↳ 299726 | -    | 1  | -  |
| 27   | ESL12348 | D0NN-8N096-C | Support Assembly, Shell Upper | ↳ 299726 | -    | 1  | -  |
| 32   | ESL12066 | 11-19213-AA  | Screw, Radiator Grille        | ↳ 299726 | -    | 2  | -  |

**RADIATOR SHELL**



**SIDE PANELS**

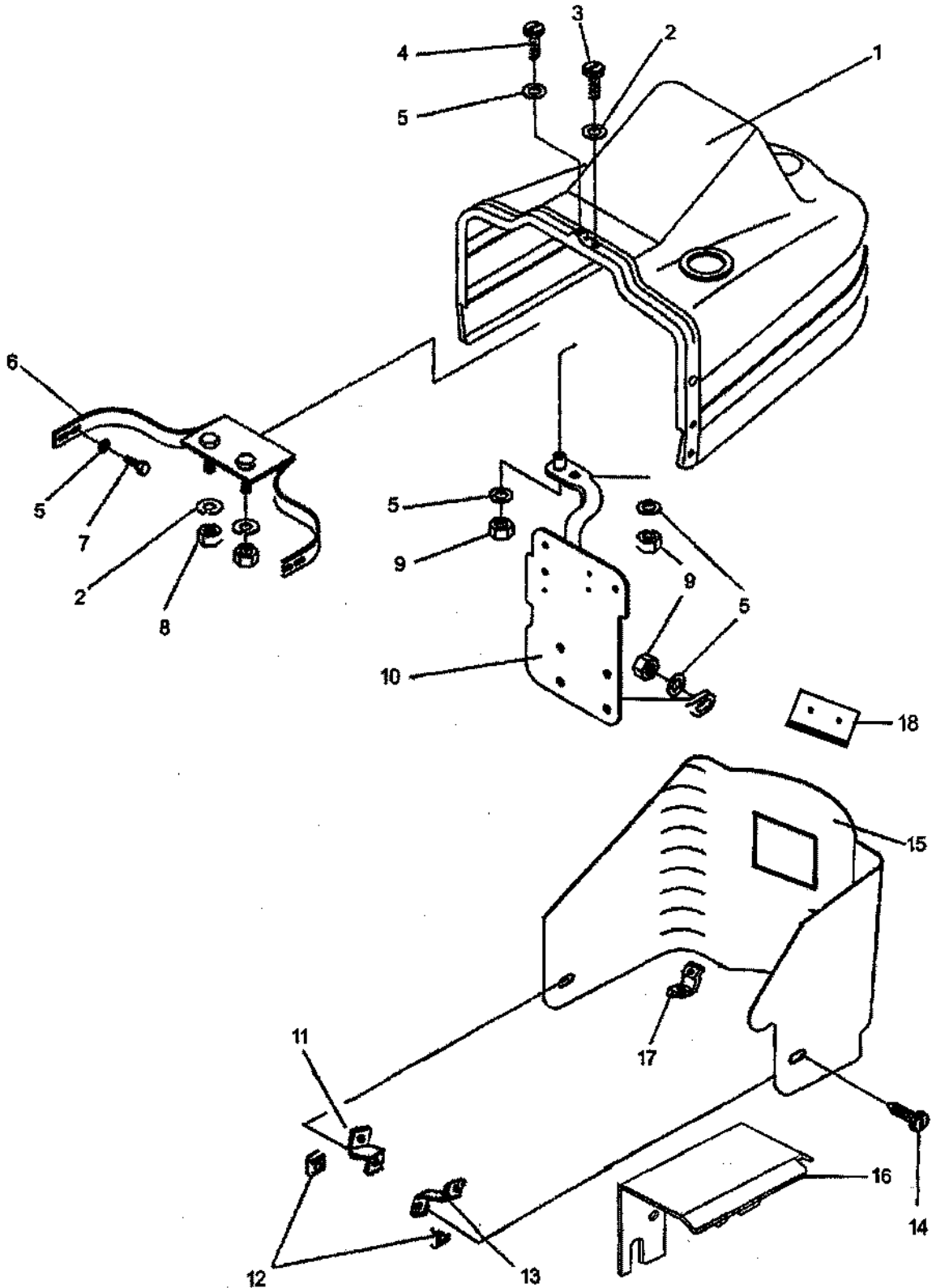
35/45/60

| ITEM | LONG #     | VENDOR #       | DESCRIPTION                    | QTY. |    |    |
|------|------------|----------------|--------------------------------|------|----|----|
|      |            |                |                                | 35   | 45 | 60 |
| 1    | ESL14537   | 22-16625-AA    | Panel Assembly, Hood RH        | 1    | -  | -  |
| -    | ESL11524   | C7NN-16625-M   | Panel Assembly, Hood RH        | -    | 1  | 1  |
| 2    | ESL11529   | C5NN-16N644-B  | Handle Assembly, Hood RH       | 2    | 2  | 2  |
| 3    | Ⓢ ESL11896 | 11-18712-AA    | Screw, Pan Head (M4x10)        | 8    | 8  | 8  |
| 4    | ESL11521   | C7NN-16N658-A  | Clip, Hood Support Rod         | 1    | 1  | 1  |
| 5    | ESL11528   | E1ADKN-16658   | Lock Assembly, Hood RH         | 2    | 2  | 2  |
| 6    | Ⓢ ESL11827 | 11-18713-AA    | Nut, Nyloc (M4)                | 8    | 8  | 8  |
| 7    | 55670-S8   | 55670-S71      | Nut, Hex Lock (1/4-28)         | 2    | 2  | 2  |
| 8    | ESL11534   | C7NN-8042-A    | Support Rod Panel              | 1    | 1  | 1  |
| 9    | 50528-S8   | 50528-S36      | Screw, Pan Head (1/4-28x0.625) | 4    | 4  | 4  |
| 10   | 44719-S8   | 44719-S36      | Washer, Flat (1/4)             | 12   | 12 | 12 |
| 11   | ESL11828   | 76NH-16N802-A  | Nut, Hood Panel, LH            | 4    | 4  | 4  |
| 12   | ESL13724   | 76NH-16N803-A  | Screw                          | 2    | 2  | 2  |
| 13   | Ⓢ ESL11532 | D3NN-16626-L   | Panel Assembly, Hood LH        | -    | 1  | 1  |
| -    | ESL14538   | 22-16520-AA    | Panel Assembly, Hood LH        | 1    | -  | -  |
| 14   | ESL11526   | C9NN-16N632-A  | Hinge Rod                      | 1    | 1  | 1  |
| 15   | ESL11729   | C5NN-16N647-A  | Washer, Hinge                  | 2    | 2  | 2  |
| 16   | ESL12679   | NH-72016-S8    | Pin, Cotter                    | 2    | 2  | 2  |
| 17   | ESL11525   | C5NN-16N631-B  | Rod Assembly, Hinge            | 1    | 1  | 1  |
| 18   | ESL14539   | 304665         | Bolt, Hex Head (5/16-24x0.88)  | 2    | 2  | 2  |
| 19   | ESL13583   | 93NH-16N757-AA | Bracket, Hood Catch, Front     | 1    | 1  | 1  |
| 20   | 44722-S8   | 44722-S36      | Washer, Flat (5/16)            | 2    | 2  | 2  |
| 21   | 33798-S8   | 33798-S36      | Nut, Hex (5/16-24)             | 2    | 2  | 2  |
| 22   | 304633-S8  | 304633-S36     | Bolt, Hex Head (1/4-28x0.62)   | 2    | 2  | 2  |
| 23   | ESL12355   | 93NH-16N773-AA | Bracket, Hood Catch Rear       | 1    | 1  | 1  |
| 24   | 33796-S8   | 33796-S36      | Nut, Hex (1/4-28)              | 2    | 2  | 2  |

**Service Serial Number Breaks:**

|     |          |           |                      |          |   |   |   |
|-----|----------|-----------|----------------------|----------|---|---|---|
| 3,6 | ESL11527 | 63757-S36 | Rivet, Hood Latch    | ↳ 235328 | - | 8 | 8 |
| 13  | ESL12356 | 82835399  | Panel Assembly, Hood | ↳ 280660 | - | 1 | - |

35/45/60



**REAR HOOD**



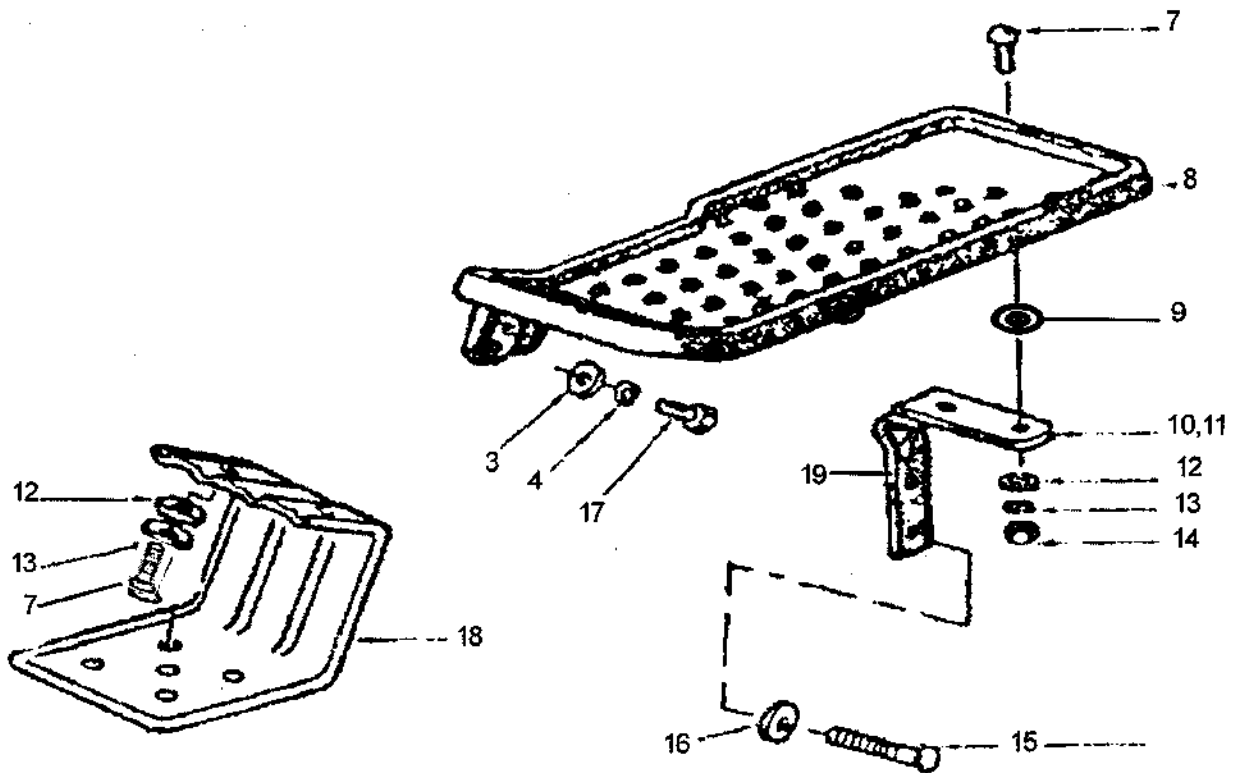
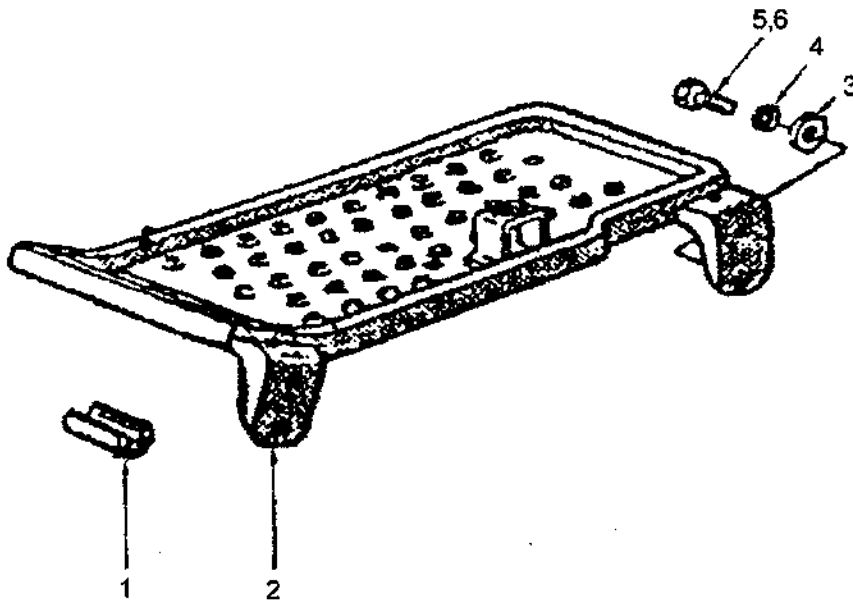
35/45/60

| ITEM | LONG #     | VENDOR #       | DESCRIPTION                   | Qty. |    |    |
|------|------------|----------------|-------------------------------|------|----|----|
|      |            |                |                               | 35   | 45 | 60 |
| 1    | Ⓢ ESL14540 | 30-16410-CA    | Panel Assembly, Hood Rear     | 1    | 1  | 1  |
| 2    | 44722-S8   | 44722-S36      | Washer, Flat (5/16)           | 6    | 6  | 6  |
| 3    | 304665-S8  | 304665-S36     | Bolt, Hex Head (5/16-24x0.88) | 2    | 2  | 2  |
| 4    | ESL13724   | 76NH-16N803-A  | Screw                         | 1    | 1  | 1  |
| 5    | 44719-S8   | 44719-S36      | Washer, Flat (1/4)            | 7    | 7  | 7  |
| 6    | ESL11522   | 78NH-16N591-AA | Bracket & Support Assembly    | 1    | 1  | 1  |
| 7    | 304632-S8  | 304632-S36     | Bolt, Hex Head (1/4-20x0.62)  | 4    | 4  | 4  |
| 8    | 33797-S8   | 33797-S36      | Nut, Hex (5/16-18)            | 2    | 2  | 2  |
| 9    | ESL11828   | 76NH-16N802-A  | Nut, Hood LH Panel            | 2    | 2  | 2  |
| 10   | Ⓢ ESL12582 | 11-16600-AA    | Support Assembly Hood Rear    | -    | 1  | 1  |
| -    | ESL14541   | 22-16600-AA    | Support Assembly, Hood Rear   | 1    | -  | -  |
| 11   | Ⓢ ESL12580 | 11-16765-AB    | Bracket, Front RH             | 1    | 1  | 1  |
| 12   | ESL11824   | D1NN-8N212-A   | Nut, U-Type                   | 6    | 6  | 6  |
| 13   | Ⓢ ESL12581 | 11-16766-AB    | Bracket, Front LH             | 1    | 1  | 1  |
| 14   | ESL11891   | 74NH-3E616-A   | Screw                         | 8    | 8  | 8  |
| 15   | Ⓢ ESL12525 | 14-16301-BA    | Cover Steering Gear           | 1    | 1  | 1  |
| 16   | Ⓢ ESL14195 | 25-12062-AA    | Rain Shield, Fuse Box         | 1    | 1  | 1  |
| 17   | ESL11515   | 74NH-16N551-AA | Bracket, Rear                 | 1    | 1  | 1  |
| 18   | Ⓢ ESL11509 | 82835303       | Plate, Steering Cover         | 1    | 1  | 1  |

**Service Serial Number Breaks:**

|    |          |               |                             |          |   |   |   |
|----|----------|---------------|-----------------------------|----------|---|---|---|
| -  | ESL12349 | 82835019      | Panel Assembly, Hood Rear   | Ⓜ 280660 | - | 1 | - |
| 1  | ESL11520 | 92NH-16948-AB | Panel Assembly, Hood Rear   | Ⓜ 298614 | - | 1 | 1 |
| 10 | ESL11523 | 71NH-16N600-A | Support Assembly, Hood Rear | Ⓜ 281715 | - | 1 | 1 |
| 11 | ESL11513 | 73NH-3R765-B  | Bracket, Front RH           | Ⓜ 289202 | - | 1 | 1 |
| 13 | ESL11514 | 73NH-3R766-A  | Bracket, Front              | Ⓜ 289202 | - | 1 | 1 |
| 15 | ESL11512 | 11-16300-AA   | Cover, Steering Gear        | Ⓜ 298614 |   |   |   |
| 16 | ESL11953 | 11-12062-AA   | Rain Shield, Fuse Box       | Ⓜ 298614 | - | 1 | 1 |
| 18 | ESL11508 | 92NH-3R655-AA | Plate, Steering Cover       | Ⓜ 214402 | - | 1 | 1 |

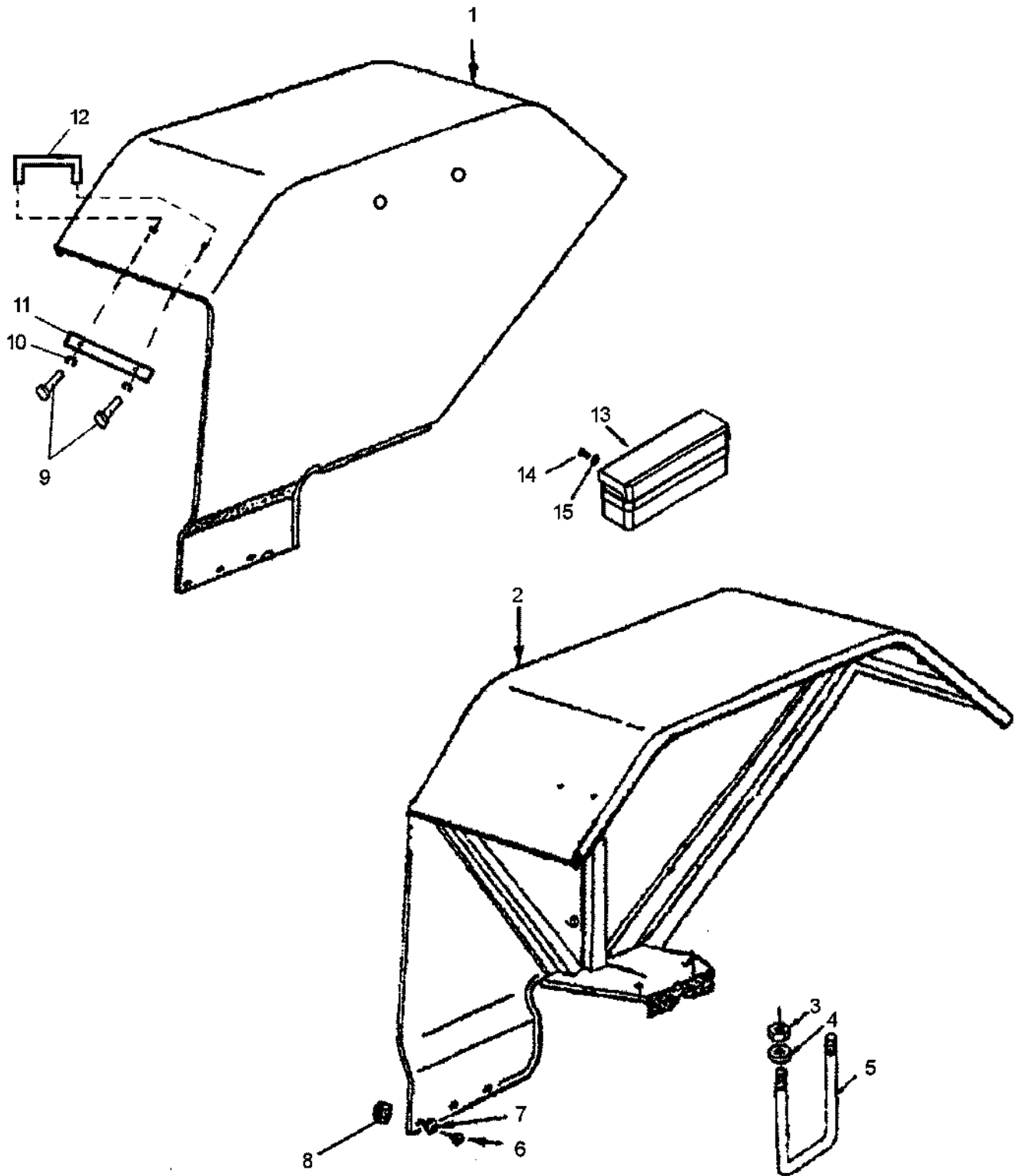
**REAR HOOD**



**RUNNING BOARDS**

| ITEM | LONG #    | VENDOR #       | DESCRIPTION                   | QTY. |    |    |
|------|-----------|----------------|-------------------------------|------|----|----|
|      |           |                |                               | 35   | 45 | 60 |
| 1    | ESL11553  | C5NN-2B184-A   | Bumper, Brake Pedal           | 1    | 1  | 1  |
| 2    | ESL11548  | 93NH-16450-AB  | Running Board, RH             | 1    | 1  | 1  |
| 3    | 44726-S8  | 44726-S36      | Washer, Flat (3/8)            | 6    | 6  | 6  |
| 4    | 34807-S8  | 34807-S36      | Washer, Lock (3/8)            | 6    | 6  | 6  |
| 5    | 304666-S8 | 304666-S36     | Bolt (3/8 - 16 x 0.88)        | 1    | 1  | 1  |
| 6    | 304650-S8 | 304650-S36     | Bolt (3/8 - 16 x 0.75)        | 3    | 3  | 3  |
| 7    | 304665-S8 | 304665-S36     | Bolt, Hex (5/16 - 24 x 0.88)  | 6    | 6  | 6  |
| 8    | ESL11549  | 92NH-16451-AA  | Running Board, LH             | 1    | 1  | 1  |
| 9    | ESL11552  | D0NN-16N499-C  | Spacer, Running Board Support | 4    | 4  | 4  |
| 10   | ESL11550  | 92NH-16N476-AA | Support, Running Board, LH    | 1    | 1  | 1  |
| 11   | ESL11551  | D0NN-16474-G   | Support, Running Board, RH    | 1    | 1  | 1  |
| 12   | 44722-S8  | 44722-S36      | Washer, Flat (5/16)           | 6    | 6  | 6  |
| 13   | 34806-S8  | 34806-S36      | Washer, Lock (5/16)           | 6    | 6  | 6  |
| 14   | 33798-S8  | 33798-S36      | Nut, Hex (5/16 - 24)          | 6    | 6  | 6  |
| 15   | 304724-S8 | 304724-S36     | Bolt, Hex (7/16 - 14 x 1.25)  | 2    | 2  | 2  |
| 16   | 34808-S8  | 34808-S36      | Washer, Lock (7/16)           | 2    | 2  | 2  |
| 17   | 304722-S8 | 304722-S36     | Bolt, Hex (3/8 - 16 x 1.25)   | 2    | 2  | 2  |
| 18   | ESL11554  | 90NH-16N477-AA | Step, Running Board, LH       | 1    | 1  | 1  |
| 19   | ESL12361  | 82835133       | Bracket                       | 1    | 1  | 1  |

**RUNNING BOARDS**



**RECTANGULAR FENDERS**

| ITEM | LONG #    | VENDOR #       | DESCRIPTION                      | QTY. |    |    |
|------|-----------|----------------|----------------------------------|------|----|----|
|      |           |                |                                  | 35   | 45 | 60 |
| 1    | ESL11542  | 11-16320-AC    | Fender Assembly, RH              | -    | -  | 1  |
| 2    | ESL11546  | 11-16310-AC    | Fender Assembly, LH              | -    | -  | 1  |
| 3    | 33845-S8  | 33845-S8       | Nut, Hex (1/2 - 13)              | -    | -  | 4  |
| 4    | 44736-S8  | 44736-S8       | Washer, Flat (1/2)               | -    | -  | 4  |
| 5    | 900121    | -              | U-Bolt, Fender to Rear Axle      | -    | -  | 2  |
| 6    | 304633-S8 | 304633-S36     | Bolt, Hex Head (1/4 - 28 x 0.62) | -    | -  | 6  |
| 7    | 44719-S8  | 44719-S36      | Washer, Flat (1/4)               | -    | -  | 6  |
| 8    | 33796-S8  | 33796-S36      | Nut(1/4-28)                      | -    | -  | 6  |
| 9    | 304682-S8 | 304682-S36     | Bolt, Hex (5/16 - 18 x 1.00)     | -    | -  | 4  |
| 10   | 34806-S8  | 34806-S36      | Washer, Lock (5/16)              | -    | -  | 4  |
| 11   | ESL11556  | 92NH-16N341-AA | Plate, Hold Down Mounting        | -    | -  | 2  |
| 12   | ESL11555  | 92NH-16N340-AA | Hold Down                        | -    | -  | 2  |
| 13   | ESL13600  | 11-T7000-AA    | Box Assembly Tool                | -    | -  | 1  |
| 14   | 304634-S8 | 304634-S38     | Bolt, Hex Head (5/16-18x0.625)   | -    | -  | 3  |
| 15   | 34941-S8  | 34941-S36      | Washer, External Tooth (5/16)    | -    | -  | 3  |

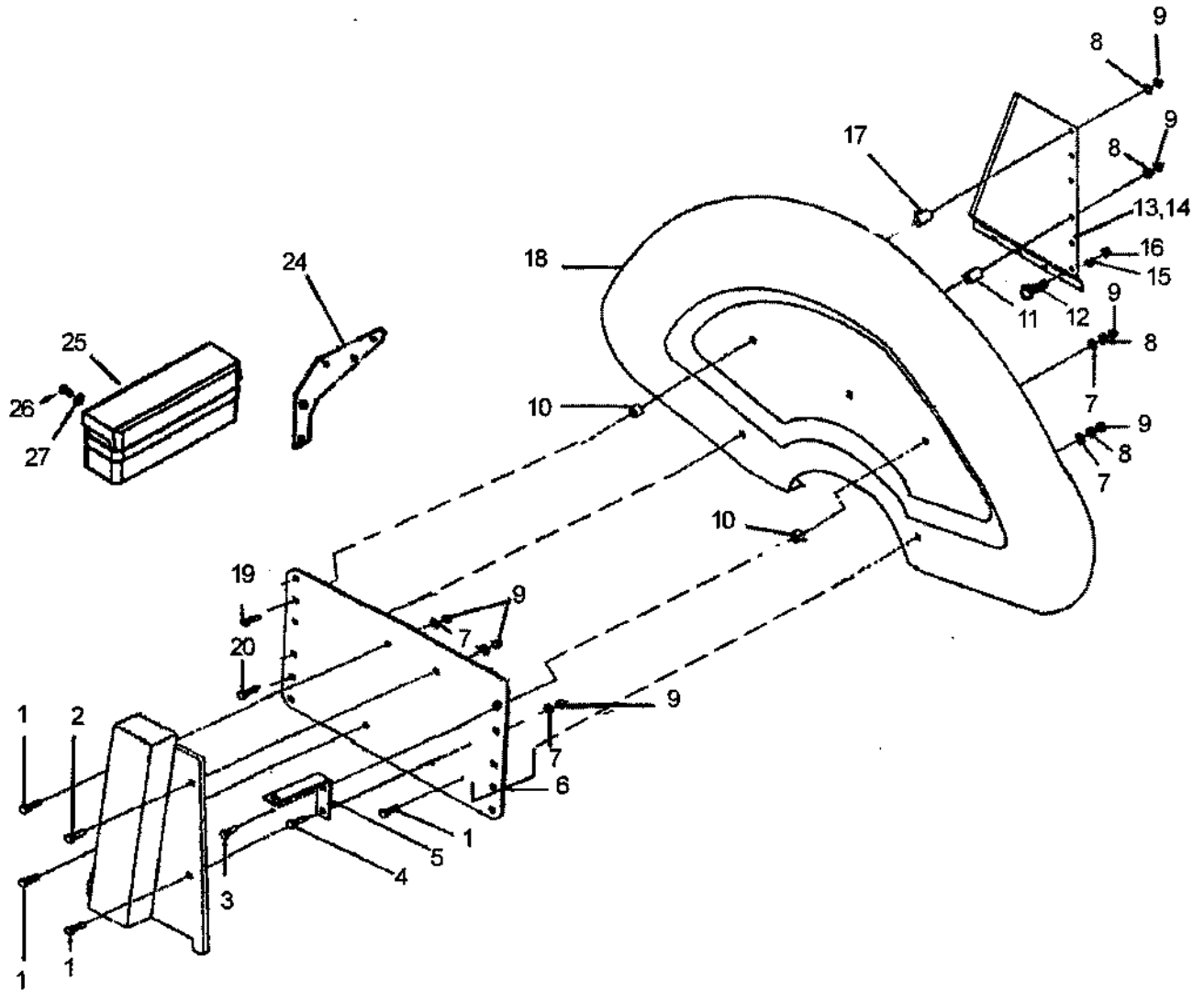
**Notes:**

- A. Used only on tractors  $\leq$  298614
- B. Complete rectangular fender kit for changing from clam shell fenders is available under part #906419.

---

**RECTANGULAR FENDERS**

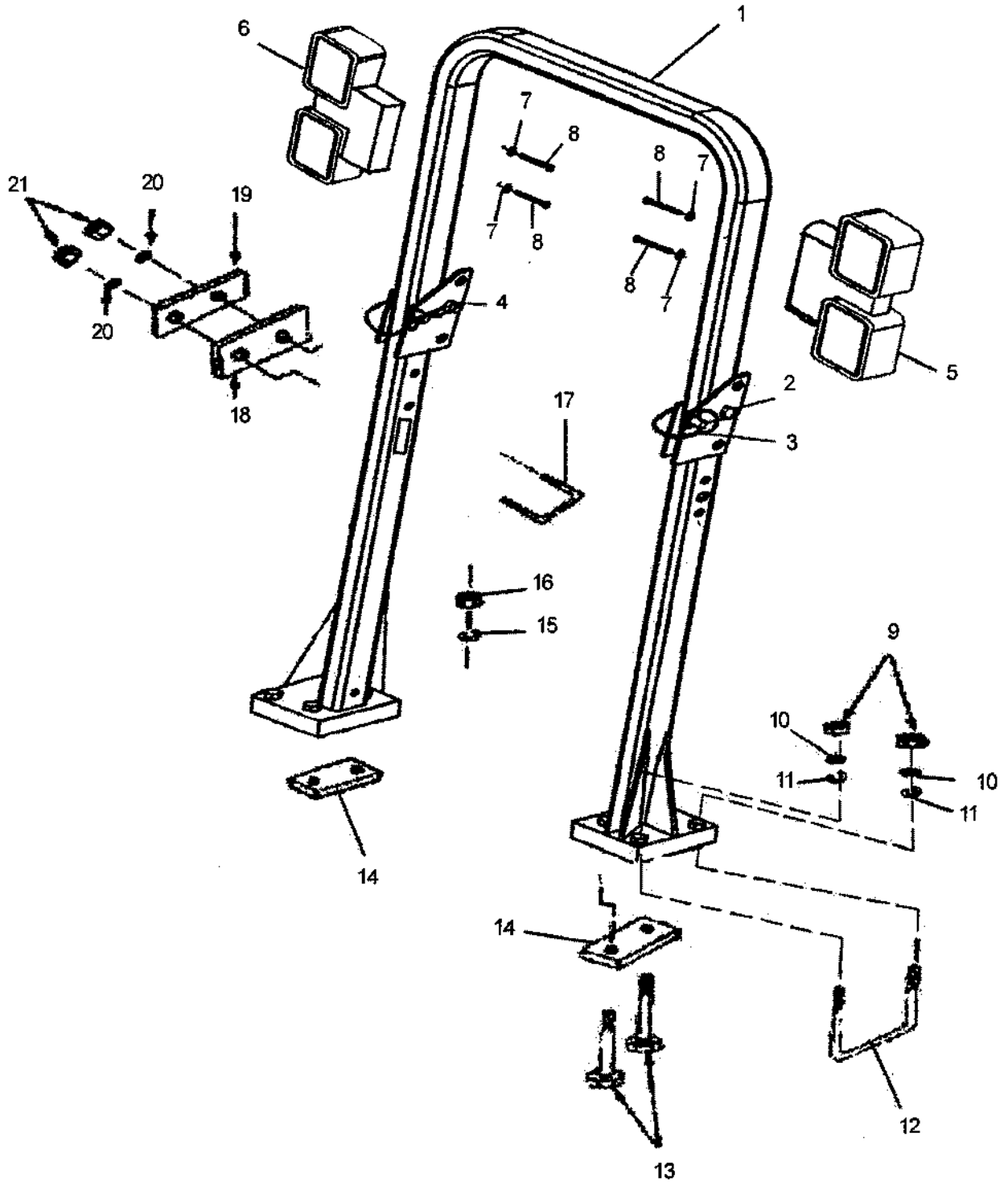

---



CLAM SHELL FENDERS

| ITEM | LONG #    | VENDOR #    | DESCRIPTION                       | QTY. |    |    |
|------|-----------|-------------|-----------------------------------|------|----|----|
|      |           |             |                                   | 35   | 45 | 60 |
| 1    | -         | -           | Bolt, Carriage (3/8-16x1")        | 9    | 9  | 9  |
| 2    | -         | -           | Bolt, Carriage (3/8-16x1") RH     | 1    | 1  | 1  |
| -    | -         | -           | Bolt, Hex Head (3/8-16x2") LH     | 1    | 1  | 1  |
| 3    | ESL12011  | 23470-S36   | Bolt, Carriage (3/8 - 16 x 1.50)  | 2    | 2  | 2  |
| 4    | 23380-S8  | 23380-S36   | Bolt, Carriage (3/8 - 16 x 0.75)  | 1    | 1  | 1  |
| 5    | ESL12373  | 12-16508-AA | Bracket, Worklight                | 1    | 1  | 1  |
| 6    | ESL12007  | 12-16328-AA | Support, Clam Shell Fender        | 2    | 2  | 2  |
| 7    | 44728-S8  | 44728-S36   | Washer, Flat (3/8)                | 5    | 5  | 5  |
| 8    | 34807-S8  | 34807-S36   | Washer, Lock (3/8)                | 17   | 17 | 17 |
| 9    | 33799-S8  | 33799-S36   | Nut, Hex (3/8-16)                 | 18   | 18 | 18 |
| 10   | ESL12009  | 12-16501-AA | Spacer, Fender (0.52" Long)       | 4    | 4  | 4  |
| 11   | -         | -           | Spacer, Fender (1.75" Long)       | 2    | 2  | 2  |
| 12   | 304633-S8 | 304633-S36  | Bolt, Hex (1/4 - 28 x 0.62)       | 6    | 6  | 6  |
| 13   | ESL12371  | 12-16347-AB | Extension RH, Clam Shell Fender   | 1    | 1  | 1  |
| 14   | ESL12372  | 12-16346-AB | Extension LH, Clam Shell Fender   | 1    | 1  | 1  |
| 15   | 44719-S8  | 44719-S36   | Washer, Flat (1/4)                | 6    | 6  | 6  |
| 16   | 33796-S8  | 33796-S36   | Nut, Hex (1/4 - 28)               | 6    | 6  | 6  |
| 17   | -         | -           | Spacer, Fender (1.25" Long)       | 2    | 2  | 2  |
| 18   | ESL12370  | 12-16312-AA | Fender Assembly, Clam Shell LH/RH | 2    | 2  | 2  |
| 19   | -         | -           | Bolt, Carriage (3/8-16x 2.75")    | 2    | 2  | 2  |
| 20   | -         | -           | Bolt, Carriage (3/8-16x2.50")     | 2    | 2  | 2  |
| 21   | -         | -           | Bolt, Carriage (3/8 - 16 x 1.75)  | 1    | 1  | 1  |
| 22   | -         | -           | Spacer, Fender (5/8" Long)        | 1    | 1  | 1  |
| 23   | -         | -           | Spacer, Fender (1" Long)          | 1    | 1  | 1  |
| 24   | ESL12058  | 12-16505-AB | Bracket, Tool Box Mounting        | 1    | 1  | 1  |
| 25   | ESL13600  | 11-17000-AA | Tool Box Assembly                 | 1    | 1  | 1  |
| 26   | 304634-S8 | 304634-S36  | Bolt, Hex Head (5/16-18x0.625)    | 3    | 3  | 3  |
| 27   | 34941-S8  | 34941-S36   | Washer, External Tooth (5/16)     | 3    | 3  | 3  |

**CLAM SHELL FENDERS**



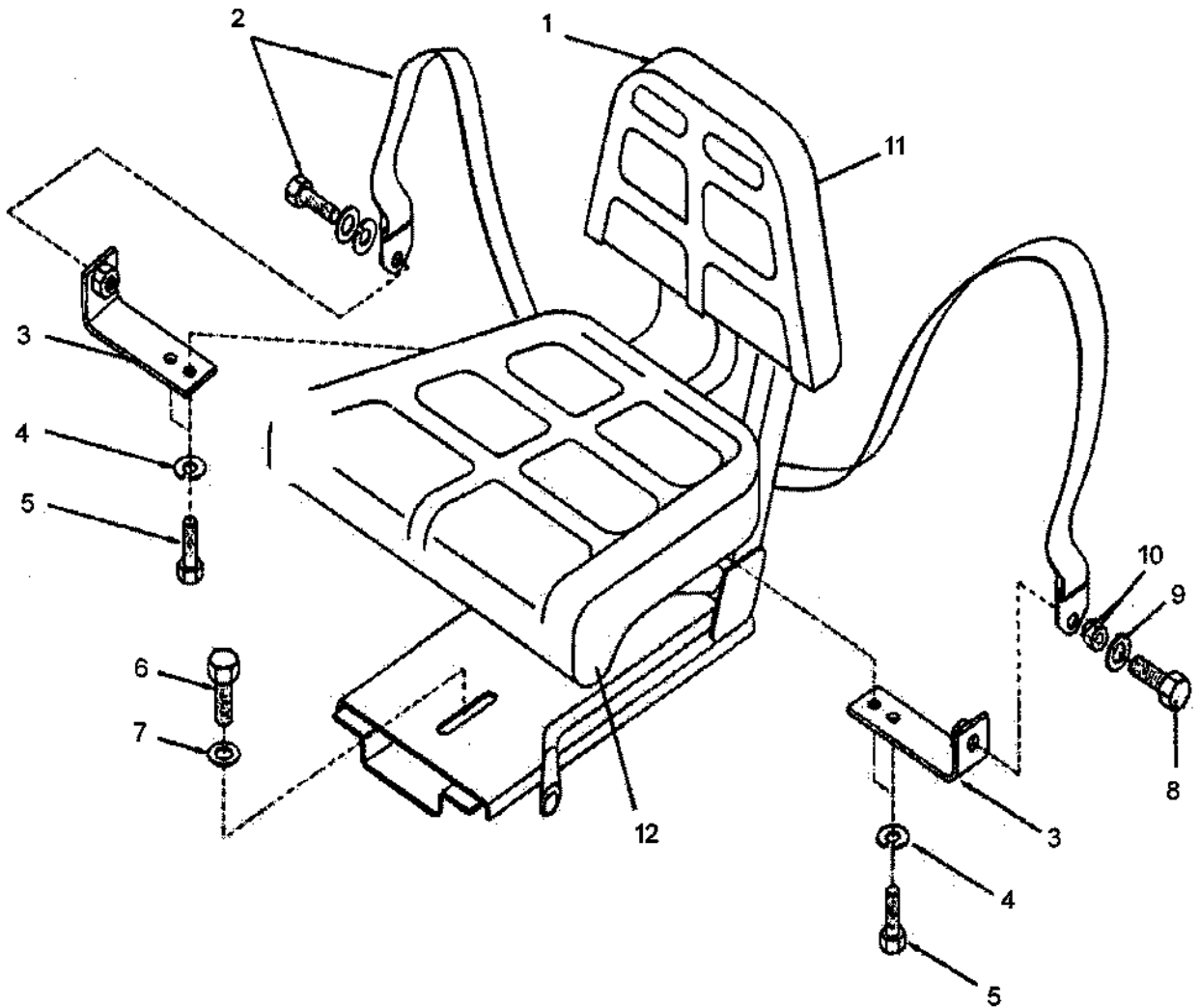
**ROLL-BARS (ROPS)**



| ITEM | LONG #        | VENDOR #     | DESCRIPTION                                    | QTY. |    |    |
|------|---------------|--------------|--|------|----|----|
|      |               |              |  | 35   | 45 | 60 |
| 1    | 902547        | -            | Roll-Bar Assembly, Fixed                       | 1    | 1  | 1  |
| -    | 902535        | -            | Roll-Bar Assembly, Foldable                    | 1    | 1  | 1  |
| 2    | 304940-S8     | 202662283    | Bolt, Hex Head (1/2-13x3 1/2)                  | 2    | 2  | 2  |
| 3    | 905730        | 230298000    | Pin, Clevis Assembly                           | 2    | 2  | 2  |
| 4    | 34979-S8      | 292508383    | Nut, Previous Torque (1/2-13)                  | 2    | 2  | 2  |
| 5    | Ⓢ 905781      | -            | Lollipop Signal Light, LH                      | 1    | 1  | 1  |
| 6    | Ⓢ 905782      | -            | Lollipop Signal Light, RH                      | 1    | 1  | 1  |
| 7    | Ⓢ N-630173-S8 | N-630173-S8  | Washer, Lock (M8)                              | 4    | 4  | 4  |
| 8    | Ⓢ N-600218-S8 | N-600218-S8  | Bolt (M8-1.25x65)                              | 4    | 4  | 4  |
| 9    | ESL12019      | 33846-S36    | Nut, Hex (1/2 - 20)                            | 4    | 4  | 4  |
| 10   | 34809-S8      | 34809-S36    | Washer, Lock (1/2)                             | 4    | 4  | 4  |
| 11   | 44736-S8      | 44736-S8     | Washer, Flat (1/2)                             | 4    | 4  | 4  |
| 12   | ESL12005      | 12-16321-AA  | U-Bolt   | 2    | 2  | 2  |
| 13   | 302610-S8     | 302610-S36   | Bolt, Hex Head (5/8 - 18 x 8.00)               | 4    | 4  | 4  |
| 14   | 900122        | -            | Lower Plate                                    | 2    | 2  | 2  |
| 15   | 34806-S8      | 34806-S36    | Washer, Lock (5/8)                             | 4    | 4  | 4  |
| 16   | 33850-S8      | 33850-S36    | Nut, Hex, (5/8 - 18)                           | 4    | 4  | 4  |
| 17   | ESL12487      | EXP-14566-AA | U-Bolt (Rectangular Fenders Only)              | 2    | 2  | 2  |
| 18   | ESL12420      | EXP-14565-AA | Rubber Pad (Rectangular Fenders Only)          | 2    | 2  | 2  |
| 19   | ESL11796      | EXP-14053-AA | Side Plate, Fender (Rectangular Fenders Only)  | 2    | 2  | 2  |
| 20   | 34809-S8      | 34809-S36    | Washer, Lock (1/2) (Rectangular Fenders Only)  | 4    | 4  | 4  |
| 21   | 33846-S8      | 33846-S36    | Nut, Hex (1/2 - 20) (Rectangular Fenders Only) | 4    | 4  | 4  |

**Service Serial Number Breaks:**

|   |             |              |                              |          |   |   |   |
|---|-------------|--------------|------------------------------|----------|---|---|---|
| 5 | 798763      | -            | Lamp, Signal                 | ↳ 298614 | 1 | 1 | 1 |
| 6 | 798763      | -            | Lamp, Signal                 | ↳ 298614 | 1 | 1 | 1 |
| 7 | N-630173-S8 | N-630173-S36 | Washer, Lock (8mm)           | ↳ 298614 | 4 | 4 | 4 |
| 8 | N-600218-S8 | N-600218-S36 | Bolt (8mmx1.25x65mm) 98.8 PT | ↳ 298614 | 4 | 4 | 4 |



**DELUXE SEAT ASSEMBLY**

**35/45/60**

| ITEM | LONG #      | VENDOR #     | DESCRIPTION                   | QTY. |    |    |
|------|-------------|--------------|-------------------------------|------|----|----|
|      |             |              |                               | 35   | 45 | 60 |
| 1    | ESL12508    | 25-04100-BB  | Seat Assembly, Driver         | 1    | 1  | 1  |
| 2    | ESL11585    | 12-04450-BA  | Belt, Driver Seat             | 1    | 1  | 1  |
| 3    | 902083      | YSP09        | Bracket                       | 2    | 2  | 2  |
| 4    | -           | -            | Washer                        | 2    | 2  | 2  |
| 5    | -           | -            | Bolt                          | 2    | 2  | 2  |
| 6    | 304724-S8   | 304724-S36   | Bolt, Hex Head (7/16-14x1.25) | 1    | 1  | 1  |
| 7    | ESL12074    | 356420-S36   | Washer, Flat (7/16)           | 1    | 1  | 1  |
| 8    | N-605532-S8 | N-605532-S36 | Bolt, Hex (M8x1.25x25)        | 2    | 2  | 2  |
| 9    | N-630068-S8 | N-630068-S36 | Washer (M8)                   | 2    | 2  | 2  |
| 10   | N-620013-S8 | N-620013-S36 | Nut (M8)                      | 2    | 2  | 2  |

**Service Serial Number Breaks:**

|    |          |             |                       |        |   |   |   |
|----|----------|-------------|-----------------------|--------|---|---|---|
| 11 | ESL11580 | 11-04401-AA | Cushion, Seat, Back   | 298614 | 1 | 1 | 1 |
| 12 | ESL11581 | 11-04403-AA | Cushion, Seat, Bottom | 298614 | 1 | 1 | 1 |

**DELUXE SEAT ASSEMBLY**

---

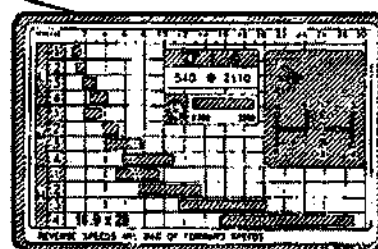
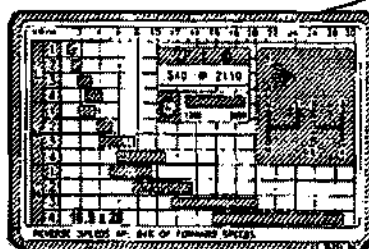
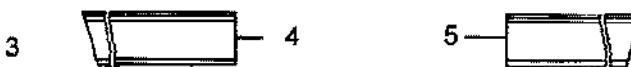
## Notes

---

# DECALS

No Longer Available

35/45/60



**LOOSEN DRAIN PLUG  
AND DRAIN OFF WATER  
ONCE EVERY WEEK**

**CAUTION  
DO NOT OPERATE**  
SPECIFIC TO THE DRAWBAR MODEL  
\* A WARNING PLATE IS A COPY AND ALIAS OF THE DRAWBAR  
FOR AUTHORIZED DEALERS



**WARNING**


- Pull only from drawer. Pulling from any other point can cause rear overturn.
- Do not operate with unshielded PTO.
- Disengage PTO and stop engine before servicing tractor or implements or attaching and detaching implements.
- Position drawbar at 14" from end of PTO shaft to decrease risk for S40 RPH.
- When towing equipment use a safety chain.

FAILURE TO FOLLOW ANY OF THE INSTRUCTIONS ABOVE CAN CAUSE SERIOUS INJURY TO THE OPERATOR OR OTHER PERSONS.




| WATCH YOUR HOUR - METER HOURS                 |                |          |       |                      |                |          |       |                      |                |          |       |
|---|----------------|----------|-------|----------------------|----------------|----------|-------|----------------------|----------------|----------|-------|
| LUBRICATION AND MAINTENANCE SERVICE INTERVALS |                |          |       |                      |                |          |       |                      |                |          |       |
| SYMBOLS AND MEANINGS                          |                |          |       | SYMBOLS AND MEANINGS |                |          |       | SYMBOLS AND MEANINGS |                |          |       |
| SYMBOL  | MEANING        | INTERVAL | UNIT  | SYMBOL               | MEANING        | INTERVAL | UNIT  | SYMBOL               | MEANING        | INTERVAL | UNIT  |
| ①   | ENGINE OIL     | 50       | HOURS | ①                    | HYDRAULIC OIL  | 500      | HOURS | ①                    | STEERING DRUMS | 500      | HOURS |
| ②   | HYDRAULIC OIL  | 500      | HOURS | ②                    | STEERING DRUMS | 500      | HOURS | ②                    | STEERING DRUMS | 500      | HOURS |
| ③   | STEERING DRUMS | 500      | HOURS | ③                    | STEERING DRUMS | 500      | HOURS | ③                    | STEERING DRUMS | 500      | HOURS |
| ④   | STEERING DRUMS | 500      | HOURS | ④                    | STEERING DRUMS | 500      | HOURS | ④                    | STEERING DRUMS | 500      | HOURS |
| ⑤   | STEERING DRUMS | 500      | HOURS | ⑤                    | STEERING DRUMS | 500      | HOURS | ⑤                    | STEERING DRUMS | 500      | HOURS |
| ⑥   | STEERING DRUMS | 500      | HOURS | ⑥                    | STEERING DRUMS | 500      | HOURS | ⑥                    | STEERING DRUMS | 500      | HOURS |
| ⑦   | STEERING DRUMS | 500      | HOURS | ⑦                    | STEERING DRUMS | 500      | HOURS | ⑦                    | STEERING DRUMS | 500      | HOURS |
| ⑧   | STEERING DRUMS | 500      | HOURS | ⑧                    | STEERING DRUMS | 500      | HOURS | ⑧                    | STEERING DRUMS | 500      | HOURS |
| ⑨   | STEERING DRUMS | 500      | HOURS | ⑨                    | STEERING DRUMS | 500      | HOURS | ⑨                    | STEERING DRUMS | 500      | HOURS |
| ⑩   | STEERING DRUMS | 500      | HOURS | ⑩                    | STEERING DRUMS | 500      | HOURS | ⑩                    | STEERING DRUMS | 500      | HOURS |


| ITEM | LONG #     | VENDOR #         | DESCRIPTION                             | QTY. |    |    |
|------|------------|------------------|---|------|----|----|
|      |            |                  |   | 35   | 45 | 60 |
| 1    | Ⓢ ESL14570 | 22-98298-AA      | Decal Model Identification Front        | 1    | -  | -  |
| -    | ESL12611   | 11-78300-BB      | Decal Model Identification Front        | -    | 1  | -  |
| -    | ESL12612   | 11-78349-AB      | Decal Model Identification, Front       | -    | -  | 1  |
| 2    | ESL11611   | 82835283         | Decal, Model Identification Center, RH  | -    | 1  | 1  |
| -    | ESL14543   | 22-98285-AA      | Decal, Model Identification Center, RH  | 1    | -  | -  |
| 3    | ESL11610   | 82835284         | Decal, Model Identification Center, LH  | -    | 1  | 1  |
| -    | ESL14544   | 22-98284-AA      | Decal, Model Identification, Center, LH | 1    | -  | -  |
| 4    | Ⓢ ESL11613 | 82835241         | Decal, Model Identification, Rear, LH   | 1    | 1  | 1  |
| 5    | Ⓢ ESL11614 | 82835242         | Decal, Model Identification, Rear, RH   | 1    | 1  | 1  |
| 6    | ESL11616   | 11-78292-AA      | Decal, Transmission Shift Pattern       | -    | 1  | 1  |
| -    | ESL14545   | 22-78294-AA      | Decal, Transmission Shift Pattern       | 1    | -  | -  |
| 7    | ESL11622   | 81NH-9B226-AA    | Decal, Filter Cleanliness               | 2    | 2  | 2  |
| 8    | ESL11618   | E2NN-N515-A      | Decal, Hydraulic Pump & Lift            | 1    | 1  | 1  |
| 9    | ESL13697   | 11-98128-AA      | Decal, Caution                          | 1    | 1  | 1  |
| 10   | ESL11628   | 82972948         | Decal, PTO Control                      | 1    | 1  | 1  |
| 11   | ESL14546   | 11-98123-AA      | Decal, PTO Guard (NI)                   | 1    | 1  | 1  |
| 12   | ESL12080   | E2NN-94000R86-AA | Decal, Warning Sign                     | 1    | 1  | 1  |
| 13   | ESL11621   | 82835148         | Decal, Tractor Maintenance Service      | 1    | 1  | 1  |


**OPERATOR**  **WHenever you see this symbol it means: WARNING! BE ALERT! YOUR SAFETY MAY BE INVOLVED! THE INFORMATION BELOW EXPLAINS THESE AND OTHER ITEMS REQUIRING YOUR ATTENTION. IF IN DOUBT CONSULT OPERATOR'S / OWNER'S MANUAL.**

**READ THE IMPORTANT INFORMATION BELOW BEFORE OPERATING THE TRACTOR. IF IN DOUBT CONSULT OPERATOR'S / OWNER'S MANUAL.**

**14**  **WARNING**


- PTO - KEEP HANDS, FEET AND CLOTHING AWAY FROM PTO AND OTHER MOVING PARTS.
- DISengage PTO AND SHUT OFF ENGINE BEFORE SERVICING TRACTOR OR IMPLEMENTS OR ATTACHING OR DETACHING IMPLEMENTS.
- KEEP SAFETY BELT/AS IN PLACE OF YOUR PROTECTION
- REEL AND Y PILING THE OVERLOADS ON FRONT END/REAR ENDS OF THE TRACTOR/TRACTOR IMPLEMENTS SHOULD BE DONE IN ONE PLANT/STAGE AT A TIME. THIS MAY CAUSE OVERLOADS.
- LET LIMBS SETTLE ON WHEELS BEFORE POWERING BEFORE ADJUSTING THE LEFT HAND LEFT HOOD
- LOCK TRACTOR BRAKE PEDALS TOGETHER FOR CORRECT OPERATION OF TRACTOR BRAKE SYSTEM.
- WHEN TRANSPORTING ON THE ROAD OUTER MOST PART OF THE VEHICLE MUST NOT EXCEED MORE THAN 40 CM. BEYOND POINTS OF WEAR OR DOWN OR REAR POSITION LIGHTS.
- KEEP MINIMUM DRIVING SPEED
- PULL RED HANDLE TO STOP ENGINE.
- ENGAGE CLUTCH GENTLY.
- CHANGE TO LOW GEAR DOWN STEEP HILLS

**15**  **WARNING**


 **FASTEN SEAT BELT**

**THIS TRACTOR IS EQUIPPED WITH ROLL OVER PROTECTIVE STRUCTURE THEREFORE SEAT BELT MUST BE WORN**


**18** FAILURE TO FASTEN SEAT BELT COULD RESULT IN INJURY OR DEATH.

**16**  **WARNING**

**THE DIFFERENTIAL LOCK IS PROVIDED FOR USE ON SLIPPERY SURFACES. IT MUST NOT BE USED ON THE ROAD.**

**17**  **CAUTION**

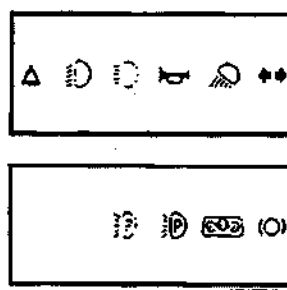
**AFTER FIRST HOUR OF OPERATION, FRONT AND REAR WHEEL LUG NUTS AND BOLTS SHOULD BE CHECKED FOR PROPER TORQUE - THERE AFTER CHECK DAILY.**


**18**  **WARNING**


**AVOID POSSIBLE INJURY OR DEATH FROM A MACHINE RUNAWAY**

1. Do not start engine by shorting across starter terminals. Machine will start in gear and move if normal starting circuitry is bypassed.
2. Start engine only from operators seat with transmission in neutral or park. NEVER start engine while standing on the ground.

**21** **FUSE LAYOUT**



**23**  **CAUTION**



**24** **WARRANTY DISCLAIMER**

THE LIMITED WARRANTY OF THE MANUFACTURER FOR HIS PRODUCTS DOES NOT INCLUDE:

1. ANY WARRANTIES OF MERCHANTABILITY OR OF FITNESS FOR A PARTICULAR USE
2. ANY IMPLIED WARRANTIES OF ANY KIND
3. LIABILITY FOR CONSEQUENTIAL DAMAGES SUCH AS THOSE RESULTING FROM LOSS OF USE OF THE PRODUCT OR LOSS OF PROFITS OR DAMAGE TO CROPS
4. LIABILITY OF ANY KIND WHERE THE PRODUCT HAS BEEN FAULTYLY REPAIRED, ALTERED, MISASSEMBLED, IMPROPERLY ASSEMBLED AND OR ATTACHED, OR INVOLVED IN AN ACCIDENT
5. LIABILITY OF USING COMPONENTS INCLUDING BOLTS AND WASHERS OTHER THAN THOSE IDENTIFIED BY PARTS MANUAL OR THE SPECIFICATIONS IN THE OWNERS MANUAL.

SEE OWNERS MANUAL FOR FULL TEXT OF MANUFACTURERS LIMITED WARRANTY.

**25** **ESCORTS LIMITED, FARIDABAD (FARMTRAC DIVISION)**

|                        |  |                     |
|------------------------|--|---------------------|
| MAKE                   | MODEL  | YEAR OF MANUFACTURE |
| ENGINE SERIAL NO       | CHASSIS SERIAL NO                              |                     |
| MAX. PTO POWER kW (hp) | SPECIFIC FUEL CONSUMPTION g / kWh (lb / hp-hr) |                     |



| ITEM | LONG #   | VENDOR #       | DESCRIPTION                      | QTY. |    |    |
|------|----------|----------------|----------------------------------|------|----|----|
|      |          |                |                                  | 35   | 45 | 60 |
| 14   | ESL11637 | 82835414       | Decal, Warning Instructions      | 1    | 1  | 1  |
| 15   | ESL13696 | 11-98127-AA    | Decal, Seat Belt                 | 1    | 1  | 1  |
| 16   | ESL13695 | 11-98126-AA    | Decal, Tractor Warning           | 1    | 1  | 1  |
| 17   | ESL13694 | 11-98125-AA    | Decal, Torque                    | 1    | 1  | 1  |
| 18   | ESL13693 | 11-98124-AA    | Decal, Starting Warning          | 1    | 1  | 1  |
| 19   | ESL13619 | 82835398       | Heat Reflective Tape             | 1    | 1  | 1  |
| 20   | ESL11617 | 92NH-16A901-AA | Decal, Operator Instruction (NI) | 1    | 1  | 1  |
| 21   | ESL11623 | 93NH-14N099-AA | Decal, Fuse Box                  | 1    | 1  | 1  |
| 22   | ESL11640 | 11-78478-AA    | Decal, Thermostat (NI)           | 1    | 1  | 1  |
| 23   | ESL11639 | E9NN-10K694-AA | Decal, Battery Warning           | 1    | 1  | 1  |
| 24   | ESL11632 | 82835418       | Decal, Warranty Disclaimer       | 1    | 1  | 1  |
| 25   | ESL11633 | 82835420       | Plate, Vehicle Identification    | 1    | 1  | 1  |
| 26   | ESL14547 | 22-98130-AA    | Decal, EPA Engine (NI)           | 2    | -  | -  |
| -    | ESL14548 | 11-98130-AE    | Decal, EPA Engine (NI)           | -    | 2  | -  |
| -    | ESL14549 | 12-98130-AE    | Decal, EPA Engine (NI)           | -    | -  | 2  |

**Service Serial Number Breaks:**

|   |          |             |  |          |   |   |   |
|---|----------|-------------|--|----------|---|---|---|
| 1 | ESL11980 | 82835285    | Decal, Model Identification, Front, LH | ⊗ 289924 | - | 1 | - |
| - | ESL11981 | 82835286    | Decal, Model Identification, Front, RH | ⊗ 289924 | - | 1 | - |
| 4 | ESL11982 | 12-78589-AA | Decal, Model Identification, Rear, LH  | ⊗ 289924 | - | 1 | - |
| 5 | ESL11983 | 12-78888-AA | Decal, Model Identification, Rear, RH  | ⊗ 289924 | - | 1 | - |

| ITEM | LONG # | VENDOR # | DESCRIPTION | QTY.              |
|------|--------|----------|-------------|-------------------|
| 1    | 904540 |          | Decal Sheet | 35 45 60<br>1 1 1 |

### WARRANTY DISCLAIMER

THE LIMITED WARRANTY OF THE MANUFACTURER FOR THE PRODUCTS DOES NOT INCLUDE:

1. ANY WARRANTIES OF MERCHANTABILITY OR FITNESS FOR A PARTICULAR USE.
2. ANY IMPLIED WARRANTIES OF ANY KIND.
3. LIABILITY FOR ANY AND ALL DAMAGES, SUCH AS THOSE INCURRED FROM LOSS OF PROFITS OR DAMAGE TO GOODS.
4. LIABILITY OF ANY AND ALL OTHERS FOR ANY DAMAGE TO PROPERTY OR PERSONS.
5. LIABILITY OF ANY AND ALL OTHERS FOR ANY DAMAGE TO ANY AND ALL OTHERS.

SEE OPERATOR MANUAL FOR A FULL COPY OF MANUFACTURER LIMITED WARRANTY.

### CAUTION

#### DO NOT OPERATE

Read your local laws and codes of laws. If you do not have a copy, one may be obtained by contacting:

**LongAgribusiness**  
 P.O. BOX 1139, Tabor, N.C. 27886  
 252-853-4151 FAX 252-853-4878  
 e-mail: service@longag.com

### DANGER

#### CRUSHING HAZARD

To prevent serious injury or death do not attach any implement to this tractor equipped with the PTO and 540 RPM. Always the PTO is so readily hooked to the tractor that it cannot be lifted without the PTO's safety lift.

### WARNING

To prevent serious injury or death:

- After first hour of operation, PTO and rear end shields must be sealed in closed position.
- PTO must be raised before clearing any field.
- PTO must be raised before clearing any field.
- PTO must be raised before clearing any field.
- PTO must be raised before clearing any field.

### WARNING

To prevent serious injury or death:

- PTO must be raised before clearing any field.
- PTO must be raised before clearing any field.
- PTO must be raised before clearing any field.
- PTO must be raised before clearing any field.

### WARNING

#### ENTANGLEMENT HAZARD

To prevent serious injury or death:

- PTO safety shield must be kept in place
- DO NOT REMOVE

### WARNING

#### SEATBELT HAZARD

To prevent serious injury or death:

- This tractor is equipped with a rollover protective structure therefore the seatbelt must be worn at all times, except when the tractor is equipped with a fold down ROPS and it is in the folded down position.

### WARNING

To prevent serious injury or death:

- Pull only from drawbar. Pulling from any other point can cause rear overturn.
- Do not operate with unshielded PTO.
- Disengage PTO and stop engine before servicing tractor or implements or attaching and detaching implements.
- Position drawbar at 14" from end of PTO shaft to drawbar hole for 540 rpm.
- When towing equipment use a safety chain.

FAILURE TO FOLLOW ANY OF THE INSTRUCTIONS ABOVE CAN CAUSE SERIOUS INJURY TO THE OPERATOR OR OTHER PERSONS.

### IMPORTANT

#### PTO CLUTCH LEVER

DO NOT LEAVE IN DISENGAGED POSITION.

ALL LONG AND LONGTRAC TRACTORS

### WARNING

#### RUNOVER HAZARD

To prevent serious injury or death:

- Start only from seats with gear and PTO selectors in neutral.
- Do not start engine by shorting across starter terminals.

LANDTRACS AND LONGTRACS ONLY

### WARNING

#### HIGH PRESSURE FLUID HAZARD

To prevent serious injury or death:

- Before pressure or before relieving, releasing or disconnecting any hydraulic hose or pipe, use proper technique to release any pressure that may be trapped in the hose or pipe.
- If hydraulic fluid is spilled, it could contain harmful bacteria.

### WARNING

#### COLD START PROCEDURE

DO NOT OPERATE STARTER LONGER THAN 30 SECONDS.

CAUTION - NEVER OPERATE STARTER LONGER THAN 30 SECONDS.

LONG 2360, LONGTRAC 480, 680, 880 DICS ONLY

### PUSH FOR COLD START

### PULL TO STOP

### FARMTRAC 45 ONLY

Compliments of: **LongAgribusiness**

### LONG 2360, LONGTRAC 480, 480 DICS, 520, 520 DICS, 680, & 680 DICS ONLY

TRACTOR MODEL: 2360, 2400, 2410 & 2410 EXCEPT 580 DICS, 510 DICS, & 510 DICS

TOPS PART NO.: 772187

THIS TOPS EXCEEDS THE MINIMUM REQUIREMENTS (BY DYNAMIC TEST) OF SAE STANDARD J175A.

MFG. BY: **LongAgribusiness**  
 P.O. BOX 1139, TABOR, N.C. 27886

### TRACTOR MODEL: 2360, 2400, 2410, 2410 EXCEPT 580 DICS, 510 DICS, & 510 DICS

TOPS PART NO.: 772187

THIS TOPS EXCEEDS THE MINIMUM REQUIREMENTS (BY DYNAMIC TEST) OF SAE STANDARD J175A.

MFG. BY: **LongAgribusiness**  
 P.O. BOX 1139, TABOR, N.C. 27886

### TRACTOR MODEL: 2360, 2400, 2410, 2410 EXCEPT 580 DICS, 510 DICS, & 510 DICS

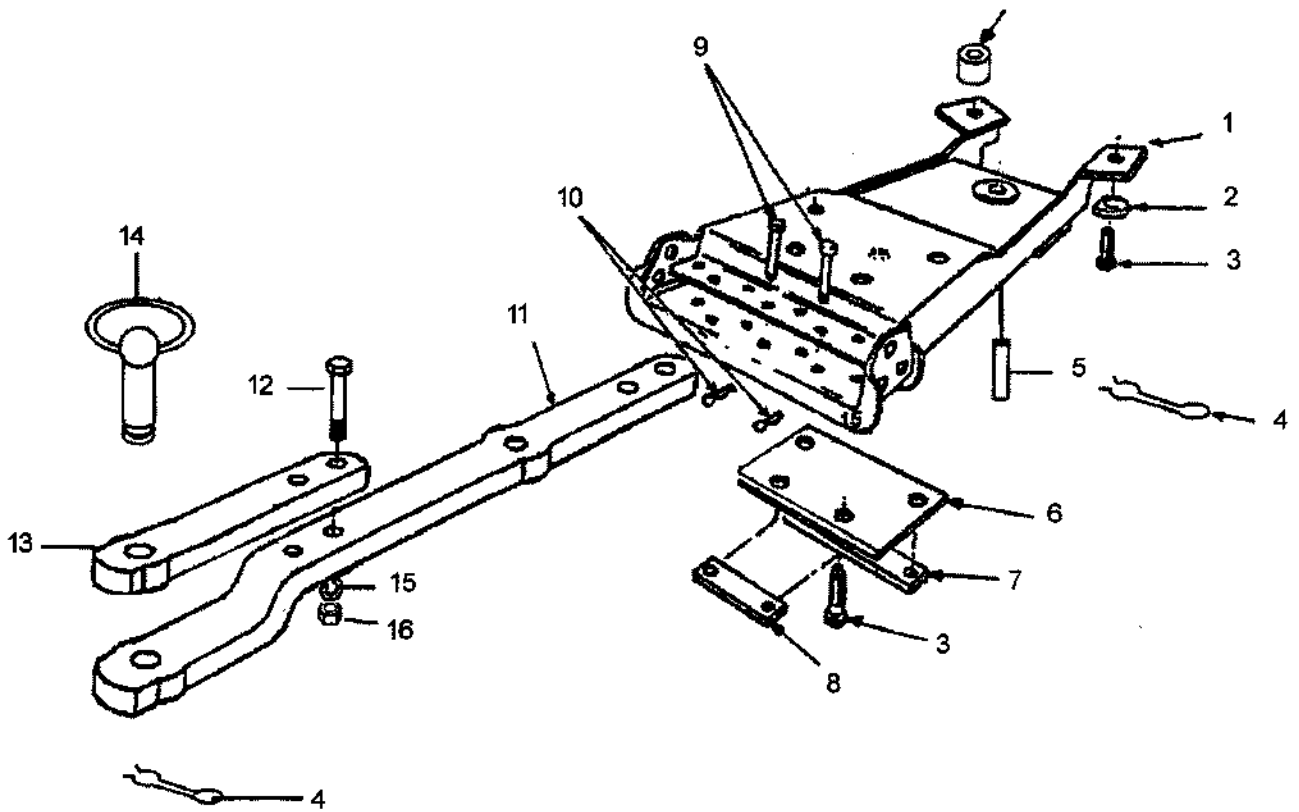
TOPS PART NO.: 772187

THIS TOPS EXCEEDS THE MINIMUM REQUIREMENTS (BY DYNAMIC TEST) OF SAE STANDARD J175A.

MFG. BY: **LongAgribusiness**  
 P.O. BOX 1139, TABOR, N.C. 27886

**DECALS**

# OPTIONS



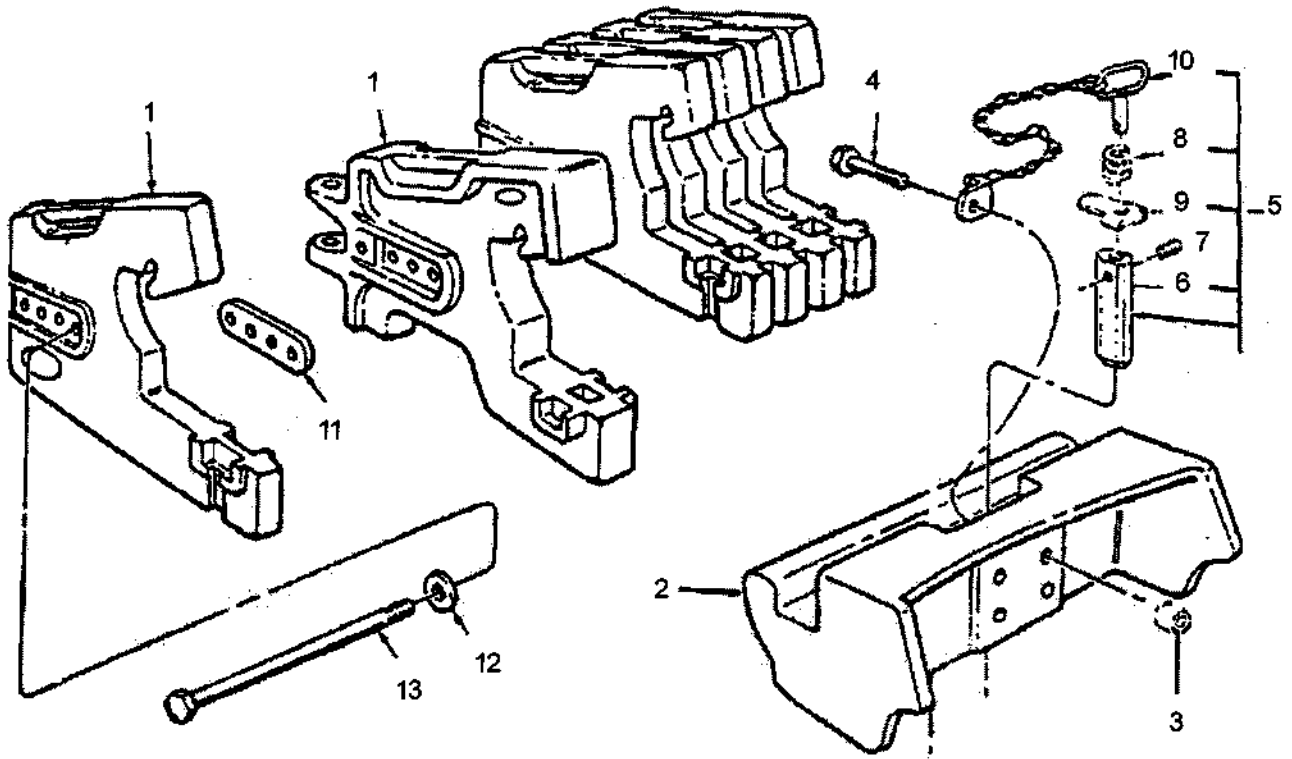
**SWINGING DRAWBAR**

| ITEM | LONG #     | VENDOR #       | DESCRIPTION                 | QTY. |    |    |
|------|------------|----------------|-----------------------------|------|----|----|
|      |            |                |                             | 35   | 45 | 60 |
| 1    | ESL12589   | 11-97809-AA    | Hanger Assembly, Drawbar    | 1    | 1  | 1  |
| 2    | ESL11712   | C5NN-N826-A    | Washer, Drawbar Hanger      | 2    | 2  | 2  |
| 3    | 304768-S8  | 304768-S36     | Bolt, Hex (5/8 - 11 x 1.50) | 6    | 6  | 6  |
| 4    | ESL11169   | 93NH-311920-AA | Spring, Drawbar Pin         | 2    | 2  | 2  |
| 5    | ESL11877   | C5NN-807-D     | Pin, Drawbar                | 1    | 1  | 1  |
| 6    | ESL11172   | C5NN-A804-A    | Plate, Drawbar Hanger       | 1    | 1  | 1  |
| 7    | ESL11176   | C5NN-N819-F    | Strap                       | 1    | 1  | 1  |
| 8    | ESL11175   | C5NN-N819-E    | Strap                       | 1    | 1  | 1  |
| 9    | ESL11177   | C5NN-N823-G    | Pin, Drawbar Adjusting      | 2    | 2  | 2  |
| 10   | ESL12590   | 30-16391-AA    | Pin, Clip                   | 2    | 2  | 2  |
| 11   | Ⓢ ESL12588 | 11-97805-AA    | Drawbar, Swinging           | 1    | 1  | 1  |
| 12   | ESL12599   | 304944-S36     | Bolt (5/8-11x3.50)          | 2    | 2  | 2  |
| 13   | Ⓢ ESL13713 | 11-97028-AA    | Strap Draw bar Clevis       | 1    | 1  | 1  |
| 14   | ESL13714   | 12-97126-CA    | Pin, Drawbar Clevis         | 1    | 1  | 1  |
| 15   | 34811-S8   | 44811-S36      | Washer, Lock (5/8)          | 2    | 2  | 2  |
| 16   | 33849-S8   | 33849-S36      | Nut, Hex (5/8 - 11)         | 2    | 2  | 2  |

**Service Serial Number Breaks:**

|    |          |             |                       |          |   |   |   |
|----|----------|-------------|-----------------------|----------|---|---|---|
| 11 | ESL11173 | C5NN-805-D  | Drawbar, Swinging     | ⌞ 299726 | - | 1 | 1 |
| 13 | ESL11174 | C5NN-A828-B | Strap, Drawbar Clevis | ⌞ 299726 | - | 1 | 1 |

**SWINGING DRAWBAR**



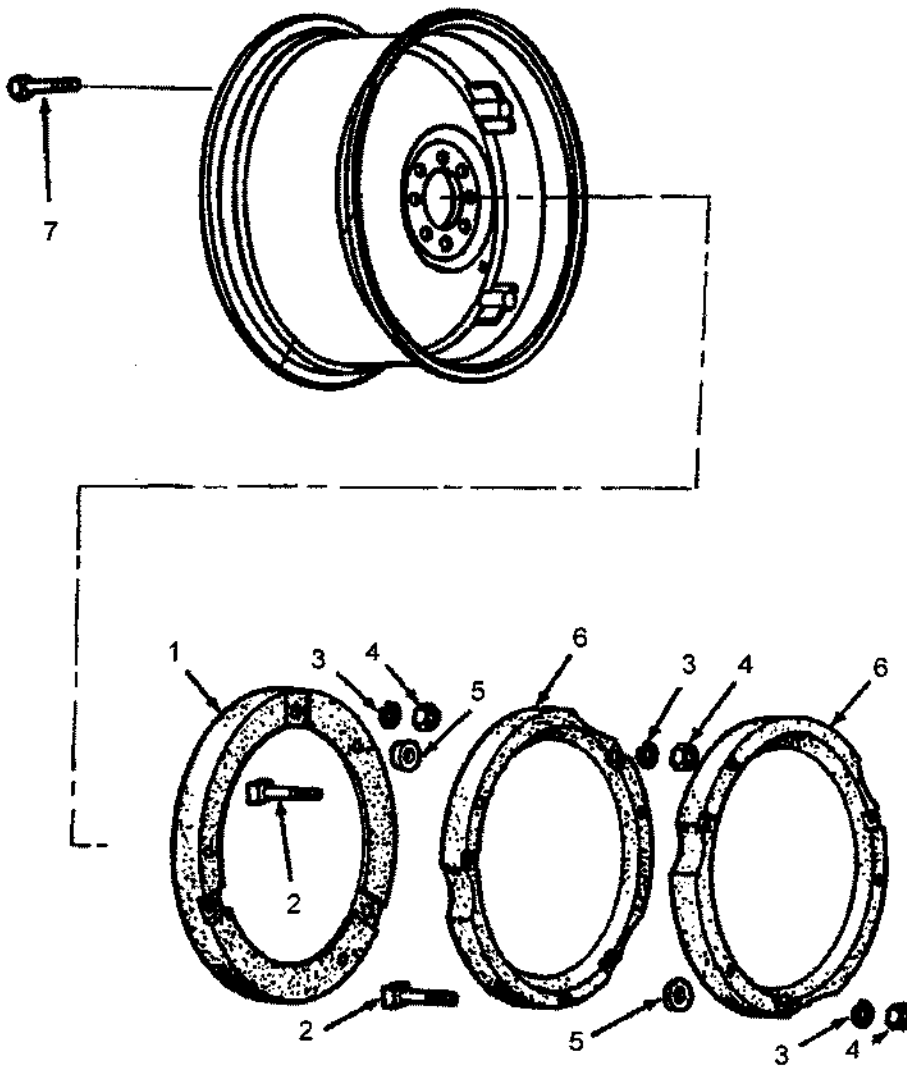
**FRONT END WEIGHTS**

| ITEM | LONG #     | VENDOR #       | DESCRIPTION                             | QTY. |    |    |
|------|------------|----------------|---|------|----|----|
|      |            |                |   | 35   | 45 | 60 |
| 1    | ESL13626   | E0NN-3A370-AA  | Weight, Front End                       | 6    | 6  | 6  |
| 2    | ESL13627   | E9NN-3N241-AB  | Carrier, Front End Weight               | 1    | 1  | 1  |
| 3    | ESL13628   | F0NN-10A652-AA | Spacer                                  | 4    | 4  | 4  |
| 4    | 304946-S8  | 304946-S36     | Bolt, Hex Head (3/4-10x3.50)            | 4    | 4  | 4  |
| 5    | ESL13629   | 82835172       | Pin Assembly, Front End Weight Retainer | 1    | 1  | 1  |
| 6    | ESL13630   | E0NN-3N238-AA  | Pin, Front Weight Retainer              | 1    | 1  | 1  |
| 7    | ESL13631   | E-643262-S     | Pin                                     | 1    | 1  | 1  |
| 8    | ESL13632   | E0NN-3N244-AA  | Spring, Front End Weight Retainer       | 1    | 1  | 1  |
| 9    | ESL13633   | E0NN-3N243-AA  | Bracket, Front End Retainer             | 1    | 1  | 1  |
| 10   | ESL13634   | 82835171       | Chain & Clevis Only                     | 1    | 1  | 1  |
| 11   | ESL13635   | E0NN-3N245-AA  | Plate, Front End Weight Clamp           | 1    | 1  | 1  |
| 12   | E630038-S8 | E630038-S71    | Washer, Flat (M16)                      | 4    | 4  | 4  |
| 13   | 82835166   | 82835166       | Bolt, Front End Weight                  | 4    | 4  | 4  |

**FRONT END WEIGHTS**

**35/45/60**

| ITEM | LONG #    | VENDOR #    | DESCRIPTION                        | QTY. |    |    |
|------|-----------|-------------|------------------------------------|------|----|----|
|      |           |             |                                    | 35   | 45 | 60 |
| 1    | ESL0924   | 960E-1065-A | Weight, Rear Wheel Center          | 2    | 2  | 2  |
| 2    | 380304-S8 | 340304-S36  | Bolt, Square Head (5/8-11x3.00)    | 12   | 12 | 12 |
| 3    | 34811-S8  | 34811-S36   | Washer, Lock (5/8)                 | 18   | 18 | 18 |
| 4    | 33849-S8  | 33849-S36   | Nut, Hex (5/8-11)                  | 18   | 18 | 18 |
| 5    | -         | -           | Washer, Weight Bolt Retainer (NSS) | 12   | 12 | 12 |
| 6    | ESL10926  | 960E-1076   | Weight, Rear Wheel Auxillary       | 4    | 4  | 4  |
| 7    | 304933-S8 | 304933-S36  | Bolt, Hex Head (5/8-11x3.25)       | 6    | 6  | 6  |
| 8    | ESL10925  | 73NH-1045-A | Spacer, Rear Wheel Weight          | 6    | 6  | 6  |



**REAR WHEEL WEIGHTS**



# ***NUMERICAL INDEX***

**35/45/60 FARMTRAC PART NUMBERS W/CORRESPONDING PAGE NUMBER**

| <b>PART #</b> | <b>PAGE #</b> | <b>PART #</b> | <b>PAGE #</b> | <b>PART #</b> | <b>PAGE #</b> | <b>PART #</b> | <b>PAGE #</b> |
|---------------|---------------|---------------|---------------|---------------|---------------|---------------|---------------|
| 789910        | 11-14         | 304650-S8     | 9-2           | 304760-S8     | 10-18         | 33849-S8      | 5A-6          |
| 791359        | 11-18         | 304652-S8     | 10-24         | 304760-S8     | 1A-4          | 33849-S8      | 5B-12         |
| 792640        | 11-14         | 304652-S8     | 11-10         | 304760-S8     | 2-8           | 33849-S8      | 7-4           |
| 798763        | 12-16         | 304652-S8     | 12-2          | 304768-S8     | 14-2          | 33850-S8      | 12-16         |
| 799716        | 11-10         | 304664-S8     | 9-2           | 304777-S8     | 10-2          | 33924-S8      | 8-10          |
| 900121        | 12-12         | 304665-S8     | 12-10         | 304777-S8     | 10-22         | 33925-S8      | 6-4           |
| 900122        | 12-16         | 304665-S8     | 12-2          | 304807-S8     | 1A-8          | 33925-S8      | 7-2           |
| 901212        | 11-18         | 304665-S8     | 12-8          | 304862-S8     | 5A-4          | 33925-S8      | 8-10          |
| 901250        | 11-8          | 304666-S8     | 12-10         | 304862-S8     | 5B-12         | 33925-S8      | 9-6           |
| 902083        | 12-18         | 304666-S8     | 1A-16         | 304883-S8     | 7-4           | 33987-S8      | 10-28         |
| 902419        | 11-18         | 304666-S8     | 3B-4          | 304890-S8     | 9-4           | 34053-S8      | 11-14         |
| 902535        | 12-16         | 304668-S8     | 10-12         | 304912S8      | 7-4           | 34422-S8      | 10-4          |
| 902547        | 12-16         | 304668-S8     | 8-2           | 304933-S8     | 14-5          | 34464-S8      | 10-4          |
| 903048        | 10-22         | 304682-S8     | 11-14         | 304940-S8     | 12-16         | 34670-S8      | 5A-4          |
| 903048        | 10-24         | 304682-S8     | 1A-2          | 304946-S8     | 14-4          | 34670-S8      | 5B-12         |
| 904435        | 1A-4          | 304682-S8     | 3A-4          | 304955-S8     | 7-4           | 34670-S8      | 9-2           |
| 904540        | 13-5          | 304682-S8     | 3B-2          | 304962-S8     | 5A-6          | 34674-S8      | 5B-12         |
| 904916        | 5B-16         | 304684-S8     | 10-20         | 304962-S8     | 5B-12         | 34690-S8      | 10-18         |
| 905730        | 12-16         | 304684-S8     | 10-22         | 304964-S8     | 5B-12         | 34694-S8      | 5A-8          |
| 905781        | 12-16         | 304684-S8     | 10-24         | 305052-S8     | 10-6          | 34791-S8      | 11-6          |
| 905782        | 12-16         | 304684-S8     | 1A-16         | 305061-S2     | 3B-22         | 34791-S8      | 5B-18         |
| 906367        | 3B-18         | 304684-S8     | 7-2           | 305080-S8     | 8-6           | 34792-S8      | 10-4          |
| 900645        | 10-26         | 304684-S8     | 8-10          | 305084-S2     | 3B-22         | 34792-S8      | 10-8          |
| 900646        | 10-26         | 304684-S8     | 8-8           | 31037-S8      | 3B-20         | 34792-S8      | 1A-16         |
| 82835166      | 14-4          | 304685-S8     | 4B-2          | 33796-S8      | 11-10         | 34793-S8      | 10-2          |
| 83936985      | 5B-16         | 304686-S8     | 10-12         | 33796-S8      | 12-12         | 34793-S8      | 11-6          |
| 23017-S2      | 11-10         | 304686-S8     | 10-24         | 33796-S8      | 12-14         | 34793-S8      | 7-4           |
| 23380-S8      | 12-14         | 304686-S8     | 10-4          | 33796-S8      | 12-6          | 34803-S8      | 11-14         |
| 23607-S8      | 4B-4          | 304686-S8     | 8-6           | 33796-S8      | 3B-20         | 34803-S8      | 3B-20         |
| 300866-S8     | 1A4           | 304686-S8     | 9-6           | 33796-S8      | 3B-22         | 34805-S8      | 1A-16         |
| 300880-S8     | 10*16         | 304689-S8     | 10-6          | 33797-S2      | 11-10         | 34806-S8      | 12-10         |
| 302549-S8     | 11*6          | 304701-S8     | 4B-4          | 33797-S8      | 11-6          | 34806-S8      | 12-12         |
| 302549-S8     | 4B2           | 304720-S8     | 11-8          | 33797-S8      | 11-8          | 34806-S8      | 12-16         |
| 302610-S8     | 12-16         | 304722-S8     | 10-4          | 33797-S8      | 12-8          | 34806-S8      | 1A-10         |
| 304622-S8     | 7-4           | 304722-S8     | 11-4          | 33797-S8      | 1A-6          | 34806-S8      | 1A-10         |
| 304631-S8     | 10-14         | 304722-S8     | 12-10         | 33798-S8      | 12-10         | 34806-S8      | 1A-2          |
| 304632-S8     | 12-8          | 304722-S8     | 1A-16         | 33798-S8      | 12-2          | 34806-S8      | 2-2           |
| 304633-S8     | 12-12         | 304722-S8     | 1B-22         | 33798-S8      | 12-6          | 34806-S8      | 3B-2          |
| 304633-S8     | 12-14         | 304722-S8     | 2-8           | 33798-S8      | 3A-2          | 34806-S8      | 4A-2          |
| 304633-S8     | 12-6          | 304724S8      | 9-6           | 33798-S8      | 3B-2          | 34806-S8      | 4B-2          |
| 304633-S8     | 3B-22         | 304724-S8     | 12-10         | 33798-S8      | 3B-22         | 34806-S8      | 4B-2          |
| 304634-S8     | 12-12         | 304724-S8     | 12-18         | 33799-S8      | 10-8          | 34806-S8      | 4B-4          |
| 304634-S8     | 12-14         | 304724-S8     | 1A-10         | 33799-S8      | 11-14         | 34806-S8      | 5A-4          |
| 304634-S8     | 1A-10         | 304724-S8     | 1A-12         | 33799-S8      | 12-14         | 34806-S8      | 6-2           |
| 304648-S8     | 1A-10         | 304724-S8     | 6-4           | 33845-S8      | 12-12         | 34806-S8      | 9-2           |
| 304648-S8     | 1-A2          | 304724-S8     | 7-4           | 33845-S8      | 8*2           | 34807-S8      | 10-16         |
| 304648-S8     | 5B-18         | 304724-S8     | 8-6           | 33845-S8      | 9-2           | 34807-S8      | 10-18         |
| 304649-S8     | 2-2           | 304728-S8     | 8-4           | 33846-S8      | 12-16         | 34807-S8      | 10-20         |
| 304650-S8     | 12-10         | 304743-S8     | 9-6           | 33847-S8      | 8-2           | 34807-S8      | 10-20         |
| 304650-S8     | 12-2          | 304758-S8     | 3B-2          | 33849-S8      | 14-2          | 34807-S8      | 10-22         |
| 304650-S8     | 1A-2          | 304758-S8     | 4B-2          | 33849-S8      | 14-5          |               |               |

**35/45/60 FARMTRAC PART NUMBERS W/CORRESPONDING PAGE NUMBER**

| <b>PART #</b> | <b>PAGE #</b> | <b>PART #</b> | <b>PAGE #</b> | <b>PART #</b> | <b>PAGE #</b> | <b>PART #</b> | <b>PAGE #</b> |
|---------------|---------------|---------------|---------------|---------------|---------------|---------------|---------------|
| 34807-S8      | 10-24         | 377360-S8     | 3B-20         | 44728-S8      | 3B-20         | 73871-S8      | 8-10          |
| 34807-S8      | 11-14         | 377490-S8     | 5A-6          | 44730-S8      | 10-14         | 73919-S8      | 6-4           |
| 34807-S8      | 11-4          | 378310-S8     | 1A-16         | 44730-S8      | 12-2          | 73919-S8      | 9-6           |
| 34807-S8      | 12-10         | 378881-S      | 2-8           | 44736-S8      | 12-12         | 74034-S8      | 10-6          |
| 34807-S8      | 1214          | 379276-S8     | 10-6          | 44736-S8      | 12-16         | 74178-S8      | 1A-12         |
| 34807-S8      | 1A-2          | 379304-S      | 7-4           | 44742-S8      | 10-28         | 74181-S8      | 9-6           |
| 34807-S8      | 1B-22         | 379304-S      | 7-8           | 44746-S8      | 8-10          | 74188-S8      | 9-2           |
| 34807-S8      | 2-8           | 379409-S8     | 10-2          | 44881-S8      | 8-10          | 76023-S8      | 3B-22         |
| 34807-S8      | 2-8           | 379414-S8     | 10-4          | 45964-S8      | 1A-4          | 76232-S8      | 8-10          |
| 34807-S8      | 7-2           | 379586-S8     | 3B-20         | 46007-S8      | 7-6           | 76237-S8      | 7-2           |
| 34807-S8      | 8-8           | 379678-S      | 7-4           | 46007-S8      | 7-8           | 86301-S8      | 10-18         |
| 34808-S8      | 10-28         | 380304-S8     | 14-5          | 46008-S8      | 2-8           | 86327-S8      | 10-16         |
| 34808-S8      | 11-10         | 380793-S8     | 10-28         | 46009-S8      | 7-6           | 86327-S8      | 10-20         |
| 34808-S8      | 12-10         | 38308-S8      | 10-12         | 46009-S8      | 7-8           | 86483-S95     | 10-18         |
| 34808-S8      | 1A-10         | 383705-S8     | 11-10         | 50528-S8      | 12-6          | 87006-S95     | 10-8          |
| 34808-S8      | 1A-12         | 383904-S8     | 10-26         | 54042-S8      | 3B-20         | 87057-S94     | 10-20         |
| 34808-S8      | 4B-2          | 385894-S8     | 10-18         | 54049-S8      | 11-14         | 87650-S8      | 5A-6          |
| 34808-S8      | 6-4           | 388769-S      | 11-10         | 55670-S8      | 12-6          | 87747-S8      | 7-4           |
| 34808-S8      | 8-6           | 389873-S8     | 10-8          | 56801-S8      | 10-4          | 87901-S8      | 5A-6          |
| 34809-S8      | 12-16         | 42974-S8      | 3B-4          | 58639-S8      | 1A-4          | 97013-S8      | 6-4           |
| 34809-S8      | 12-16         | 42997-S8      | 11-6          | 58655-S8      | 10-4          | 97013-S8      | 9-6           |
| 34809-S8      | 3A-6          | 43104-S8      | 8-4           | 58655-S8      | 9-6           | 97410-S       | 10-6          |
| 34809-S8      | 5A-8          | 44710-S8      | 4B-4          | 58657-S8      | 10-4          | 97413-S8      | 10-6          |
| 34809-S8      | 5A-8          | 44719-S8      | 11-10         | 58662-S8      | 10-4          | 97470-S8      | 10-6          |
| 34810-S8      | 8-4           | 44719-S8      | 12-12         | 58663-S8      | 10-24         | E630038-S8    | 14-4          |
| 34811-S8      | 14-2          | 44719-S8      | 12-14         | 58663-S8      | 10-4          | ESL0924       | 14-5          |
| 34811-S8      | 14-5          | 44719-S8      | 12-6          | 58676-S8      | 8-2           | ESL10004      | 7-4           |
| 34814-S8      | 5A-8          | 44719-S8      | 12-8          | 58677-S8      | 8-2           | ESL10005      | 10-24         |
| 34903-S8      | 11-14         | 44719-S8      | 3B-20         | 58678-S8      | 8-2           | ESL10008      | 10-2          |
| 34941-S8      | 11-14         | 44719-S8      | 3B-22         | 58679-S8      | 8-2           | ESL10008      | 10-24         |
| 34941-S8      | 12-12         | 44722-S8      | 11-10         | 58699-S8      | 8-2           | ESL10009      | 10-24         |
| 34941-S8      | 12-14         | 44722-S8      | 11-14         | 58701-S8      | 8-2           | ESL10010      | 10-10         |
| 34941-S8      | 3A-4          | 44722-S8      | 12-10         | 58719-S8      | 7-4           | ESL10010      | 10-2          |
| 34941-S8      | 3B-2          | 44722-S8      | 12-2          | 58726-S8      | 7-4           | ESL10010      | 10-24         |
| 34942-S8      | 12-2          | 44722-S8      | 12-6          | 72003-S8      | 7-2           | ESL10010      | 10-8          |
| 34978-S8      | 4B-4          | 44722-S8      | 12-8          | 72003-S8      | 8-6           | ESL10011      | 10-10         |
| 34979-S8      | 12-16         | 44722-S8      | 2-2           | 72003-S8      | 9-6           | ESL10011      | 10-12         |
| 34987-S8      | 6-4           | 44722-S8      | 3A-2          | 72005-S8      | 10-6          | ESL10011      | 10-2          |
| 351090-S8     | 10-28         | 44722-S8      | 3B-2          | 72017-S8      | 10-6          | ESL10011      | 10-24         |
| 352321-S8     | 3B-20         | 44723-S8      | 11-8          | 72017-S8      | 6-4           | ESL10011      | 10-8          |
| 353374-S8     | 10-18         | 44724-S8      | 11-10         | 72017-S8      | 8-10          | ESL10012      | 10-24         |
| 354235-S8     | 9-6           | 44726-S8      | 11-18         | 72017-S8      | 9-6           | ESL10013      | 10-24         |
| 355431-S8     | 7-2           | 44726-S8      | 12-10         | 72026-S8      | 10-28         | ESL10014      | 10-24         |
| 359264-S38    | 10-28         | 44726-S8      | 1A-16         | 72035-S8      | 10-26         | ESL10015      | 10-24         |
| 371433-S8     | 10-2          | 44726-S8      | 2-8           | 72035-S8      | 5B-14         | ESL10016      | 10-24         |
| 373573-S8     | 10-14         | 44726-S8      | 3B-22         | 72053-S8      | 10-28         | ESL10016      | 1A-8          |
| 375057-S      | 2-2           | 44726-S8      | 3B-4          | 72054-S8      | 5-2           | ESL10017      | 1A-4          |
| 376415-S8     | 11-8          | 44726-S8      | 9-2           | 72055-S8      | 10-26         | ESL10018      | 1A-4          |
| 376415-S8     | 8-4           | 44728-S38     | 10-20         | 72055-S8      | 7-4           | ESL10020      | 10-24         |
| 377184-S8     | 10-28         | 44728-S8      | 12-14         | 72090-S8      | 5-2           | ESL10021      | 10-24         |
| 377360-S8     | 11-18         | 44728-S8      | 12-2          | 73269-S8      | 5-2           | ESL10021      | 5B-16         |

**35/45/60 FARMTRAC PART NUMBERS W/CORRESPONDING PAGE NUMBER**

| <b>PART #</b> | <b>PAGE #</b> | <b>PART #</b> | <b>PAGE #</b> | <b>PART #</b> | <b>PAGE #</b> | <b>PART #</b> | <b>PAGE #</b> |
|---------------|---------------|---------------|---------------|---------------|---------------|---------------|---------------|
| ESL10022      | 10-22         | ESL10089      | 1A-2          | ESL10155      | 1A-12         | ESL10230      | 12-2          |
| ESL10022      | 10-24         | ESL10092      | 1A-4          | ESL10156      | 1A-12         | ESL10231      | 2-4           |
| ESL10023      | 10-24         | ESL10093      | 1A-2          | ESL10157      | 1A-10         | ESL10234      | 2-8           |
| ESL10024      | 10-22         | ESL10094      | 1A-6          | ESL10161      | 1A-10         | ESL10236      | 11A-20        |
| ESL10024      | 10-24         | ESL10095      | 1A-4          | ESL10162      | 1A-12         | ESL10236      | 11B-22        |
| ESL10025      | 10-24         | ESL10096      | 1A-4          | ESL10163      | 1A-12         | ESL10236      | 11C-24        |
| ESL10026      | 10-22         | ESL10097      | 1A-4          | ESL10164      | 1A-12         | ESL10238      | 11-12         |
| ESL10026      | 10-24         | ESL10098      | 1A-6          | ESL10165      | 1A-12         | ESL10238      | 2-8           |
| ESL10028      | 10-22         | ESL10099      | 1A-6          | ESL10166      | 1A-12         | ESL10239      | 11A-20        |
| ESL10028      | 10-24         | ESL10100      | 1A-6          | ESL10167      | 1A-10         | ESL10240      | 2-8           |
| ESL10029      | 10-24         | ESL10103      | 1A-8          | ESL10167      | 1A-2          | ESL10241      | 2-8           |
| ESL10030      | 3B-4          | ESL10104      | 1A-8          | ESL10168      | 1A-10         | ESL10243      | 2-8           |
| ESL10032      | 1A-2          | ESL10105      | 1A-8          | ESL10171      | 1A-14         | ESL10244      | 2-8           |
| ESL10039      | 1A-2          | ESL10106      | 1A-8          | ESL10172      | 1A-14         | ESL10245      | 2-6           |
| ESL10041      | 1A-2          | ESL10107      | 1A-8          | ESL10173      | 1A-14         | ESL10245      | 2-8           |
| ESL10043      | 1A-2          | ESL10108      | 1A-8          | ESL10174      | 1A-8          | ESL10246      | 2-8           |
| ESL10044      | 7-4           | ESL10109      | 1A-8          | ESL10175      | 1A-8          | ESL10247      | 2-8           |
| ESL10045      | 1A-2          | ESL10110      | 1A-8          | ESL10176      | 1A-8          | ESL10248      | 2-8           |
| ESL10046      | 1A-10         | ESL10112      | 1A-8          | ESL10177      | 1A-14         | ESL10250      | 3A-2          |
| ESL10047      | 1A-2          | ESL10113      | 1A-8          | ESL10178      | 1A-14         | ESL10250      | 3B-2          |
| ESL10049      | 1A-2          | ESL10114      | 1A-8          | ESL10179      | 1A-14         | ESL10256      | 3A-4          |
| ESL10051      | 1A-2          | ESL10115      | 1A-8          | ESL10180      | 1A-14         | ESL10256      | 3B-2          |
| ESL10052      | 1A-2          | ESL10118      | 1A-8          | ESL10181      | 1A-14         | ESL10257      | 3A-2          |
| ESL10054      | 1A-2          | ESL10120      | 1A-2          | ESL10185      | 1A-16         | ESL10257      | 3B-2          |
| ESL10057      | 1A-6          | ESL10121      | 1A-8          | ESL10188      | 1A-16         | ESL10258      | 3A-2          |
| ESL10058      | 5B-12         | ESL10122      | 1A-8          | ESL10189      | 1A-16         | ESL10258      | 3B-2          |
| ESL10059      | 1A-6          | ESL10126      | 1A-8          | ESL10190      | 1A-16         | ESL10264      | 3B-2          |
| ESL10060      | 1A-4          | ESL10127      | 1A-10         | ESL10191      | 1A-16         | ESL10265      | 3B-4          |
| ESL10063      | 1A-6          | ESL10128      | 1A-10         | ESL10193      | 1A-16         | ESL10266      | 3B-2          |
| ESL10066      | 1A-4          | ESL10131      | 1A-10         | ESL10194      | 1A-16         | ESL10268      | 3B-2          |
| ESL10067      | 10-10         | ESL10132      | 1A-10         | ESL10195      | 1A-16         | ESL10269      | 3B-4          |
| ESL10068      | 1A-4          | ESL10133      | 1A-10         | ESL10196      | 1A-16         | ESL10270      | 3B-2          |
| ESL10069      | 1A-2          | ESL10134      | 1A-10         | ESL10197      | 1A-16         | ESL10272      | 3B-4          |
| ESL10070      | 1A-2          | ESL10135      | 1A-10         | ESL10198      | 1A-16         | ESL10273      | 3B-4          |
| ESL10071      | 1A-2          | ESL10136      | 1A-10         | ESL10200      | 1A-16         | ESL10275      | 3B-4          |
| ESL10072      | 1A-2          | ESL10137      | 1A-10         | ESL10201      | 1A-16         | ESL10276      | 3B-4          |
| ESL10073      | 1A-4          | ESL10138      | 1A-10         | ESL10203      | 1A-16         | ESL10280      | 3B-4          |
| ESL10075      | 1A-4          | ESL10139      | 1A-10         | ESL10204      | 2-2           | ESL10283      | 3B-4          |
| ESL10079      | 1A-4          | ESL10140      | 1A-10         | ESL10206      | 2-2           | ESL10284      | 2-8           |
| ESL10080      | 1A-2          | ESL10141      | 1A-10         | ESL10208      | 2-2           | ESL10285      | 2-8           |
| ESL10080      | 1B-22         | ESL10142      | 1A-12         | ESL10210      | 2-4           | ESL10286      | 2-8           |
| ESL10081      | 1A-2          | ESL10143      | 1A-12         | ESL10213      | 2-4           | ESL10288      | 3B-4          |
| ESL10082      | 1A-2          | ESL10145      | 1A-12         | ESL10214      | 2-4           | ESL10290      | 3B-4          |
| ESL10082      | 1B-20         | ESL10146      | 1A-12         | ESL10219      | 2-4           | ESL10292      | 3B-4          |
| ESL10083      | 1A-2          | ESL10147      | 1A-12         | ESL10221      | 2-4           | ESL10293      | 3B-2          |
| ESL10083      | 1B-20         | ESL10149      | 1A-10         | ESL10222      | 2-4           | ESL10294      | 3B-2          |
| ESL10086      | 1A-2          | ESL10150      | 1A-10         | ESL10224      | 2-2           | ESL10296      | 3A-4          |
| ESL10087      | 1A-2          | ESL10151      | 1A-12         | ESL10227      | 2-2           | ESL10296      | 3B-2          |
| ESL10087      | 1A-6          | ESL10152      | 1A-10         | ESL10227      | 2-4           | ESL10297      | 3A-4          |
| ESL10088      | 1A-2          | ESL10154      | 1A-12         | ESL10229      | 2-4           | ESL10297      | 3B-2          |

**35/45/60 FARMTRAC PART NUMBERS W/CORRESPONDING PAGE NUMBER**

| <b>PART #</b> | <b>PAGE #</b> | <b>PART #</b> | <b>PAGE #</b> | <b>PART #</b> | <b>PAGE #</b> | <b>PART #</b> | <b>PAGE #</b> |
|---------------|---------------|---------------|---------------|---------------|---------------|---------------|---------------|
| ESL10298      | 3A-4          | ESL10409      | 3B-14         | ESL10471      | 3B-20         | ESL10531      | 5A-4          |
| ESL10298      | 3B-2          | ESL10410      | 3B-14         | ESL10472      | 3B-20         | ESL10532      | 5A-4          |
| ESL10299      | 3B-2          | ESL10411      | 3B-14         | ESL10472      | 3B-20         | ESL10533      | 5A-4          |
| ESL10300      | 3B-4          | ESL10412      | 3B-14         | ESL10473      | 3B-20         | ESL10534      | 5A-4          |
| ESL10300      | 8-6           | ESL10413      | 3B-14         | ESL10474      | 3B-20         | ESL10535      | 5A-4          |
| ESL10302      | 3B-8          | ESL10414      | 3B-14         | ESL10475      | 3B-20         | ESL10536      | 5A-4          |
| ESL10303      | 3B-8          | ESL10415      | 3B-14         | ESL10476      | 3B-20         | ESL10537      | 5A-4          |
| ESL10308      | 3B-6          | ESL10416      | 3B-14         | ESL10477      | 3B-20         | ESL10538      | 5A-4          |
| ESL10309      | 3B-8          | ESL10417      | 3B-14         | ESL10478      | 3B-20         | ESL10540      | 5A-4          |
| ESL10310      | 3B-8          | ESL10418      | 3B-14         | ESL10479      | 3B-22         | ESL10541      | 5A-6          |
| ESL10311      | 3B-8          | ESL10421      | 3B-14         | ESL10480      | 3B-20         | ESL10542      | 5-2           |
| ESL10312      | 3B-6          | ESL10422      | 3B-14         | ESL10480      | 3B-22         | ESL10542      | 5B-12         |
| ESL10313      | 3B-6          | ESL10422      | 3B-4          | ESL10481      | 3B-22         | ESL10543      | 5A-6          |
| ESL10314      | 3B-8          | ESL10426      | 3B-16         | ESL10482      | 3B-22         | ESL10543      | 5B-12         |
| ESL10328      | 3B-6          | ESL10427      | 3B-16         | ESL10483      | 3B-22         | ESL10544      | 5A-6          |
| ESL10329      | 3B-6          | ESL10428      | 3B-16         | ESL10484      | 3B-22         | ESL10547      | 5A-6          |
| ESL10330      | 3B-6          | ESL10429      | 3B-16         | ESL10485      | 3B-22         | ESL10547      | 5B-12         |
| ESL10331      | 3B-6          | ESL10430      | 3B-16         | ESL10486      | 3B-22         | ESL10549      | 5A-4          |
| ESL10332      | 3B-6          | ESL10431      | 3B-16         | ESL10487      | 3B-22         | ESL10550      | 5A-4          |
| ESL10333      | 3B-6          | ESL10432      | 3B-16         | ESL10488      | 3B-22         | ESL10551      | 5A-4          |
| ESL10334      | 3B-6          | ESL10433      | 3B-16         | ESL10489      | 3B-22         | ESL10553      | 5A-4          |
| ESL10335      | 3B-6          | ESL10434      | 3B-16         | ESL10491      | 3B-20         | ESL10554      | 5A-4          |
| ESL10336      | 3B-6          | ESL10435      | 3B-16         | ESL10492      | 1A-4          | ESL10556      | 5A-6          |
| ESL10337      | 3B-6          | ESL10436      | 3B-16         | ESL10492      | 4B-4          | ESL10557      | 5A-6          |
| ESL10338      | 3B-6          | ESL10437      | 3B-16         | ESL10493      | 4B-4          | ESL10557      | 5A-6          |
| ESL10339      | 3B-6          | ESL10438      | 3B-16         | ESL10494      | 4B-4          | ESL10558      | 5A-4          |
| ESL10340      | 3B-8          | ESL10439      | 3B-16         | ESL10495      | 4B-4          | ESL10558      | 5A-4          |
| ESL10341      | 3B-8          | ESL10440      | 3B-16         | ESL10496      | 4B-4          | ESL10559      | 5A-4          |
| ESL10342      | 3B-8          | ESL10441      | 3B-16         | ESL10497      | 4B-4          | ESL10560      | 5A-6          |
| ESL10343      | 3B-8          | ESL10442      | 3B-16         | ESL10498      | 4B-4          | ESL10560      | 5B-12         |
| ESL10351      | 3B-8          | ESL10443      | 3B-18         | ESL10500      | 4B-4          | ESL10561      | 5A-6          |
| ESL10353      | 3B-8          | ESL10444      | 3B-18         | ESL10502      | 4B-4          | ESL10561      | 5B-12         |
| ESL10354      | 3B-8          | ESL10445      | 3B-18         | ESL10503      | 4B-4          | ESL10562      | 5A-6          |
| ESL10355      | 3B-8          | ESL10446      | 3B-18         | ESL10505      | 4B-4          | ESL10562      | 5B-12         |
| ESL10357      | 3A-2          | ESL10447      | 3B-18         | ESL10510      | 4B-2          | ESL10563      | 5A-6          |
| ESL10357      | 3B-18         | ESL10448      | 3B-18         | ESL10511      | 4B-2          | ESL10563      | 5B-12         |
| ESL10357      | 3B-2          | ESL10448      | 3B-4          | ESL10512      | 4B-2          | ESL10564      | 5A-6          |
| ESL10358      | 3B-8          | ESL10450      | 3B-20         | ESL10514      | 4B-2          | ESL10564      | 5B-12         |
| ESL10359      | 3B-8          | ESL10452      | 3B-20         | ESL10516      | 4B-2          | ESL10565      | 5A-6          |
| ESL10361      | 3B-8          | ESL10454      | 3B-22         | ESL10518      | 4B-2          | ESL10565      | 5B-12         |
| ESL10362      | 3B-6          | ESL10455      | 3B-20         | ESL10520      | 4B-2          | ESL10567      | 5A-6          |
| ESL10364      | 3B-4          | ESL10455      | 3B-20         | ESL10521      | 5-2           | ESL10567      | 5B-12         |
| ESL10368      | 3B-10         | ESL10456      | 3B-22         | ESL10522      | 5-2           | ESL10570      | 5A-8          |
| ESL10384      | 3B-10         | ESL10457      | 3B-20         | ESL10523      | 5-2           | ESL10571      | 5A-8          |
| ESL10385      | 3B-10         | ESL10460      | 3B-20         | ESL10524      | 5-2           | ESL10572      | 5A-8          |
| ESL10393      | 3B-6          | ESL10461      | 3B-20         | ESL10525      | 5-2           | ESL10573      | 5A-10         |
| ESL10402      | 3B-12         | ESL10462      | 3B-20         | ESL10526      | 5-2           | ESL10574      | 5A-10         |
| ESL10404      | 3B-10         | ESL10463      | 3B-20         | ESL10527      | 5-2           | ESL10574      | 5A-8          |
| ESL10405      | 3B-10         | ESL10468      | 3B-20         | ESL10528      | 5-2           | ESL10575      | 5A-8          |
| ESL10408      | 3B-14         | ESL10469      | 3B-20         | ESL10529      | 5-2           | ESL10576      | 5A-8          |

**35/45/60 FARMTRAC PART NUMBERS W/CORRESPONDING PAGE NUMBER**

| <b>PART #</b> | <b>PAGE #</b> | <b>PART #</b> | <b>PAGE #</b> | <b>PART #</b> | <b>PAGE #</b> | <b>PART #</b> | <b>PAGE #</b> |
|---------------|---------------|---------------|---------------|---------------|---------------|---------------|---------------|
| ESL10577      | 5A-8          | ESL10633      | 5B-18         | ESL10725      | 7-2           | ESL10781      | 7-6           |
| ESL10578      | 5A-8          | ESL10634      | 5B-18         | ESL10726      | 7-2           | ESL10784      | 7-6           |
| ESL10579      | 5A-8          | ESL10635      | 5B-16         | ESL10727      | 7-4           | ESL10785      | 7-6           |
| ESL10580      | 5A-8          | ESL10636      | 5B-16         | ESL10728      | 7-4           | ESL10786      | 7-6           |
| ESL10581      | 5A-8          | ESL10637      | 5B-16         | ESL10729      | 7-4           | ESL10787      | 7-8           |
| ESL10582      | 5A-8          | ESL10638      | 5B-16         | ESL10730      | 7-4           | ESL10788      | 7-8           |
| ESL10583      | 5A-10         | ESL10639      | 5B-18         | ESL10731      | 7-4           | ESL10789      | 7-6           |
| ESL10584      | 5A-10         | ESL10640      | 5B-18         | ESL10732      | 7-2           | ESL10790      | 7-8           |
| ESL10585      | 5A-8          | ESL10641      | 5B-18         | ESL10733      | 7-2           | ESL10791      | 7-6           |
| ESL10586      | 5A-8          | ESL10642      | 5B-18         | ESL10735      | 7-2           | ESL10792      | 7-6           |
| ESL10587      | 5A-8          | ESL10643      | 5B-18         | ESL10735      | 7-4           | ESL10793      | 7-6           |
| ESL10588      | 5A-8          | ESL10644      | 5B-18         | ESL10735      | 8-6           | ESL10794      | 7-6           |
| ESL10589      | 5A-8          | ESL10645      | 5B-16         | ESL10737      | 7-4           | ESL10795      | 7-6           |
| ESL10590      | 5A-10         | ESL10646      | 5B-18         | ESL10738      | 7-4           | ESL10797      | 7-6           |
| ESL10591      | 5A-10         | ESL10647      | 5B-16         | ESL10739      | 7-2           | ESL10799      | 7-8           |
| ESL10593      | 5A-8          | ESL10648      | 5B-16         | ESL10740      | 7-2           | ESL10800      | 7-8           |
| ESL10596      | 5A-8          | ESL10649      | 5B-16         | ESL10740      | 8-2           | ESL10801      | 7-8           |
| ESL10597      | 5A8           | ESL10650      | 5B-16         | ESL10741      | 7-2           | ESL10802      | 7-8           |
| ESL10599      | 5A-8          | ESL10652      | 6-4           | ESL10742      | 7-2           | ESL10803      | 7-8           |
| ESL10599      | 5B-16         | ESL10653      | 6-4           | ESL10743      | 7-2           | ESL10804      | 7-8           |
| ESL10600      | 5A-8          | ESL10654      | 6-4           | ESL10744      | 7-2           | ESL10805      | 7-8           |
| ESL10601      | 5A-8          | ESL10657      | 6-4           | ESL10745      | 7-2           | ESL10806      | 7-8           |
| ESL10602      | 5A-8          | ESL10659      | 6-4           | ESL10746      | 7-2           | ESL10807      | 7-8           |
| ESL10605      | 5B-12         | ESL10660      | 6-4           | ESL10747      | 7-2           | ESL10808      | 7-8           |
| ESL10606      | 5B-12         | ESL10661      | 6-4           | ESL10748      | 7-2           | ESL10809      | 7-8           |
| ESL10607      | 5B-14         | ESL10661      | 7-4           | ESL10749      | 7-2           | ESL10811      | 7-8           |
| ESL10608      | 5B-14         | ESL10663      | 6-4           | ESL10750      | 7-2           | ESL10813      | 7-6           |
| ESL10609      | 5B-14         | ESL10664      | 6-4           | ESL10751      | 7-2           | ESL10814      | 7-6           |
| ESL10610      | 5B-12         | ESL10666      | 6-4           | ESL10752      | 7-2           | ESL10815      | 7-8           |
| ESL10611      | 5B-12         | ESL10667      | 6-4           | ESL10753      | 7-2           | ESL10816      | 7-6           |
| ESL10612      | 5B-12         | ESL10668      | 6-4           | ESL10754      | 7-2           | ESL10817      | 7-6           |
| ESL10613      | 5B-12         | ESL10668      | 7-4           | ESL10755      | 7-2           | ESL10818      | 7-6           |
| ESL10614      | 5B-12         | ESL10670      | 6-4           | ESL10756      | 7-2           | ESL10819      | 7-6           |
| ESL10615      | 5B-12         | ESL10692      | 1A-8          | ESL10757      | 7-2           | ESL10820      | 7-6           |
| ESL10616      | 5B-12         | ESL10692      | 6-2           | ESL10758      | 7-2           | ESL10821      | 7-8           |
| ESL10617      | 5B-12         | ESL10693      | 1A-8          | ESL10759      | 7-2           | ESL10822      | 7-8           |
| ESL10619      | 5B-14         | ESL10693      | 6-2           | ESL10763      | 7-4           | ESL10823      | 7-8           |
| ESL10620      | 5B-12         | ESL10694      | 6-2           | ESL10766      | 7-6           | ESL10824      | 7-8           |
| ESL10621      | 5B-14         | ESL10695      | 6-2           | ESL10767      | 7-6           | ESL10825      | 7-8           |
| ESL10622      | 5B-16         | ESL10696      | 6-2           | ESL10768      | 7-6           | ESL10826      | 7-8           |
| ESL10623      | 5B-16         | ESL10698      | 6-2           | ESL10769      | 7-6           | ESL10827      | 7-8           |
| ESL10624      | 5B-16         | ESL10716      | 6-2           | ESL10771      | 7-6           | ESL10828      | 7-8           |
| ESL10625      | 5B-16         | ESL10717      | 7-4           | ESL10772      | 7-6           | ESL10829      | 7-8           |
| ESL10626      | 5B-18         | ESL10718      | 7-4           | ESL10773      | 7-6           | ESL10830      | 7-8           |
| ESL10627      | 5B-18         | ESL10719      | 7-2           | ESL10774      | 7-6           | ESL10831      | 7-8           |
| ESL10628      | 5B-18         | ESL10720      | 7-4           | ESL10774      | 7-6           | ESL10832      | 7-8           |
| ESL10629      | 5B-18         | ESL10721      | 7-2           | ESL10776      | 7-6           | ESL10833      | 7-8           |
| ESL10630      | 5B-18         | ESL10722      | 7-4           | ESL10777      | 7-6           | ESL10834      | 7-8           |
| ESL10631      | 5B-18         | ESL10723      | 7-2           | ESL10778      | 7-6           | ESL10836      | 8-2           |
| ESL10632      | 5B-18         | ESL10724      | 7-2           | ESL10780      | 7-6           | ESL10837      | 8-2           |

**35/45/60 FARMTRAC PART NUMBERS W/CORRESPONDING PAGE NUMBER**

| <b>PART #</b> | <b>PAGE #</b> | <b>PART #</b> | <b>PAGE #</b> | <b>PART #</b> | <b>PAGE #</b> | <b>PART #</b> | <b>PAGE #</b> |
|---------------|---------------|---------------|---------------|---------------|---------------|---------------|---------------|
| ESL10838      | 8-2           | ESL10884      | 8-8           | ESL10933      | 9-2           | ESL10996      | 10-6          |
| ESL10839      | 8-2           | ESL10885      | 8-2           | ESL10934      | 9-2           | ESL10997      | 10-4          |
| ESL10840      | 8-2           | ESL10885      | 8-8           | ESL10935      | 9-2           | ESL10998      | 10-2          |
| ESL10841      | 10-4          | ESL10886      | 8-8           | ESL10936      | 9-2           | ESL10999      | 10-4          |
| ESL10841      | 8-2           | ESL10887      | 8-8           | ESL10937      | 9-2           | ESL11000      | 10-4          |
| ESL10842      | 8-2           | ESL10888      | 8-8           | ESL10938      | 9-2           | ESL11001      | 10-4          |
| ESL10845      | 8-2           | ESL10889      | 8-8           | ESL10939      | 9-2           | ESL11002      | 10-4          |
| ESL10846      | 8-2           | ESL10890      | 8-8           | ESL10941      | 9-2           | ESL11003      | 10-4          |
| ESL10847      | 8-2           | ESL10891      | 8-8           | ESL10942      | 9-2           | ESL11004      | 10-4          |
| ESL10847      | 9-6           | ESL10892      | 8-8           | ESL10943      | 9-2           | ESL11005      | 10-4          |
| ESL10848      | 8-4           | ESL10893      | 8-8           | ESL10944      | 9-2           | ESL11006      | 10-4          |
| ESL10849      | 8-4           | ESL10894      | 8-8           | ESL10945      | 9-2           | ESL11007      | 10-4          |
| ESL10850      | 8-4           | ESL10896      | 8-8           | ESL10946      | 9-2           | ESL11008      | 10-2          |
| ESL10851      | 8-4           | ESL10897      | 8-8           | ESL10947      | 9-2           | ESL11009      | 10-2          |
| ESL10852      | 8-4           | ESL10898      | 8-6           | ESL10948      | 9-2           | ESL11010      | 10-2          |
| ESL10853      | 8-4           | ESL10899      | 8-6           | ESL10949      | 9-2           | ESL11011      | 10-2          |
| ESL10854      | 8-4           | ESL10900      | 8-6           | ESL10950      | 9-4           | ESL11012      | 10-2          |
| ESL10855      | 8-4           | ESL10901      | 10-16         | ESL10951      | 9-4           | ESL11013      | 10-2          |
| ESL10856      | 8-4           | ESL10901      | 10-2          | ESL10952      | 9-4           | ESL11014      | 10-2          |
| ESL10856      | 8-4           | ESL10901      | 1A-4          | ESL10953      | 9-4           | ESL11016      | 10-2          |
| ESL10857      | 8-4           | ESL10901      | 3B-4          | ESL10954      | 9-4           | ESL11017      | 10-2          |
| ESL10858      | 8-4           | ESL10902      | 7-4           | ESL10955      | 9-4           | ESL11018      | 10-2          |
| ESL10859      | 8-4           | ESL10902      | 8-6           | ESL10956      | 9-4           | ESL11019      | 10-2          |
| ESL10860      | 8-4           | ESL10903      | 7-2           | ESL10962      | 9-4           | ESL11020      | 10-2          |
| ESL10861      | 8-4           | ESL10904      | 8-6           | ESL10964      | 9-2           | ESL11021      | 10-2          |
| ESL10862      | 8-4           | ESL10905      | 8-6           | ESL10966      | 9-6           | ESL11022      | 10-2          |
| ESL10863      | 8-4           | ESL10906      | 8-6           | ESL10967      | 9-6           | ESL11023      | 10-2          |
| ESL10864      | 8-4           | ESL10907      | 8-6           | ESL10969      | 9-6           | ESL11024      | 10-2          |
| ESL10865      | 8-4           | ESL10908      | 8-6           | ESL10970      | 9-6           | ESL11025      | 10-2          |
| ESL10866      | 8-4           | ESL10909      | 8-6           | ESL10971      | 9-6           | ESL11028      | 10-2          |
| ESL10867      | 8-10          | ESL10910      | 8-6           | ESL10972      | 9-6           | ESL11029      | 10-10         |
| ESL10868      | 10-26         | ESL10911      | 8-6           | ESL10974      | 9-6           | ESL11030      | 10-10         |
| ESL10868      | 8-10          | ESL10912      | 8-6           | ESL10977      | 9-6           | ESL11031      | 10-10         |
| ESL10868      | 9-6           | ESL10913      | 8-6           | ESL10978      | 9-6           | ESL11032      | 10-10         |
| ESL10869      | 8-10          | ESL10915      | 8-6           | ESL10979      | 9-6           | ESL11046      | 10-10         |
| ESL10871      | 8-10          | ESL10916      | 8-6           | ESL10980      | 9-6           | ESL11047      | 10-10         |
| ESL10872      | 8-10          | ESL10917      | 8-6           | ESL10983      | 9-6           | ESL11061      | 10-10         |
| ESL10873      | 8-10          | ESL10918      | 8-11          | ESL10984      | 9-6           | ESL11062      | 10-10         |
| ESL10874      | 8-10          | ESL10919      | 8-11          | ESL10985      | 10-2          | ESL11063      | 10-10         |
| ESL10875      | 8-10          | ESL10920      | 8-12          | ESL10986      | 10-2          | ESL11064      | 10-10         |
| ESL10876      | 8-10          | ESL10921      | 8-12          | ESL10987      | 10-2          | ESL11065      | 10-10         |
| ESL10877      | 8-10          | ESL10923      | 8-12          | ESL10988      | 10-2          | ESL11066      | 10-8          |
| ESL10878      | 8-10          | ESL10925      | 14-5          | ESL10989      | 10-2          | ESL11067      | 10-8          |
| ESL10879      | 8-10          | ESL10926      | 14-5          | ESL10990      | 10-2          | ESL11069      | 10-6          |
| ESL10880      | 8-10          | ESL10927      | 9-2           | ESL10990      | 10-22         | ESL11070      | 10-6          |
| ESL10881      | 8-8           | ESL10928      | 9-2           | ESL10992      | 10-2          | ESL11073      | 10-6          |
| ESL10882      | 8-8           | ESL10929      | 9-2           | ESL10994      | 10-4          | ESL11074      | 10-6          |
| ESL10883      | 8-2           | ESL10930      | 9-2           | ESL10994      | 10-6          | ESL11075      | 10-6          |
| ESL10883      | 8-8           | ESL10931      | 9-2           | ESL10995      | 10-6          | ESL11076      | 10-6          |
| ESL10884      | 8-2           | ESL10932      | 9-2           | ESL10996      | 10-4          | ESL11077      | 10-6          |



#### 35/45/60 FARMTRAC PART NUMBERS W/CORRESPONDING PAGE NUMBER

| PART #   | PAGE # | PART #   | PAGE # | PART #   | PAGE # | PART #   | PAGE # |
|----------|--------|----------|--------|----------|--------|----------|--------|
| ESL11078 | 10-6   | ESL11136 | 10-28  | ESL11384 | 11-12  | ESL11274 | 10-16  |
| ESL11079 | 10-6   | ESL11138 | 10-28  | ESL11208 | 10-14  | ESL11274 | 10-20  |
| ESL11080 | 10-6   | ESL11140 | 10-28  | ESL11209 | 10-14  | ESL11275 | 10-20  |
| ESL11081 | 10-8   | ESL11141 | 10-26  | ESL11210 | 10-14  | ESL11276 | 10-18  |
| ESL11082 | 10-6   | ESL11143 | 10-26  | ESL11211 | 10-6   | ESL11278 | 11-4   |
| ESL11083 | 10-6   | ESL11147 | 10-26  | ESL11212 | 10-12  | ESL11279 | 11-4   |
| ESL11084 | 10-6   | ESL11149 | 10-26  | ESL11212 | 10-14  | ESL11281 | 11-4   |
| ESL11085 | 10-6   | ESL11151 | 10-26  | ESL11213 | 10-22  | ESL11282 | 11-4   |
| ESL11086 | 10-6   | ESL11154 | 10-26  | ESL11215 | 10-22  | ESL11283 | 11-4   |
| ESL11087 | 10-6   | ESL11155 | 10-26  | ESL11216 | 10-22  | ESL11287 | 11-4   |
| ESL11088 | 10-6   | ESL11159 | 10-26  | ESL11217 | 10-22  | ESL11291 | 11-4   |
| ESL11089 | 10-6   | ESL11163 | 10-28  | ESL11218 | 10-22  | ESL11292 | 11-4   |
| ESL11091 | 10-6   | ESL11162 | 10-28  | ESL11219 | 10-22  | ESL11293 | 11-4   |
| ESL11092 | 10-6   | ESL11164 | 10-26  | ESL11221 | 10-22  | ESL11295 | 11-4   |
| ESL11093 | 10-6   | ESL11166 | 10-26  | ESL11226 | 10-22  | ESL11296 | 11-4   |
| ESL11094 | 10-6   | ESL11169 | 14-2   | ESL11227 | 10-22  | ESL11297 | 11-4   |
| ESL11094 | 10-8   | ESL11172 | 14-2   | ESL11236 | 10-18  | ESL11333 | 11-16  |
| ESL11096 | 10-8   | ESL11173 | 14-2   | ESL11237 | 10-18  | ESL11335 | 11-8   |
| ESL11098 | 10-6   | ESL11174 | 14-2   | ESL11238 | 10-16  | ESL11336 | 11-8   |
| ESL11099 | 10-12  | ESL11175 | 14-2   | ESL11238 | 10-18  | ESL11339 | 11-8   |
| ESL11101 | 10-12  | ESL11176 | 14-2   | ESL11239 | 10-18  | ESL11342 | 11-10  |
| ESL11102 | 10-12  | ESL11177 | 14-2   | ESL11244 | 10-18  | ESL11350 | 11-10  |
| ESL11103 | 10-12  | ESL11179 | 10-14  | ESL11245 | 10-18  | ESL11352 | 11-10  |
| ESL11104 | 10-12  | ESL11180 | 10-14  | ESL11246 | 10-18  | ESL11352 | 12-2   |
| ESL11106 | 10-12  | ESL11181 | 10-14  | ESL11250 | 10-18  | ESL11353 | 11-10  |
| ESL11106 | 10-12  | ESL11182 | 10-14  | ESL11251 | 10-18  | ESL11354 | 11-10  |
| ESL11107 | 10-12  | ESL11183 | 10-14  | ESL11252 | 10-18  | ESL11354 | 11A-20 |
| ESL11108 | 10-12  | ESL11184 | 10-14  | ESL11255 | 10-16  | ESL11354 | 11B-22 |
| ESL11109 | 10-12  | ESL11185 | 10-14  | ESL11255 | 10-18  | ESL11354 | 11C-24 |
| ESL11110 | 10-12  | ESL11186 | 10-14  | ESL11256 | 10-18  | ESL11354 | 11D-26 |
| ESL11111 | 10-12  | ESL11187 | 10-14  | ESL11257 | 10-24  | ESL11355 | 11-10  |
| ESL11112 | 10-12  | ESL11188 | 10-14  | ESL11258 | 10-20  | ESL11356 | 11-10  |
| ESL11113 | 10-26  | ESL11189 | 10-14  | ESL11259 | 10-20  | ESL11357 | 11-10  |
| ESL11114 | 10-26  | ESL11189 | 1A-2   | ESL11260 | 10-18  | ESL11358 | 11-10  |
| ESL11115 | 10-26  | ESL11190 | 1014   | ESL11261 | 10-20  | ESL11359 | 11-16  |
| ESL11117 | 10-26  | ESL11191 | 10-14  | ESL11262 | 10-18  | ESL11360 | 11-14  |
| ESL11120 | 10-26  | ESL11192 | 10-14  | ESL11263 | 10-18  | ESL11362 | 11-14  |
| ESL11122 | 10-26  | ESL11193 | 10-14  | ESL11264 | 10-20  | ESL11363 | 11-16  |
| ESL11122 | 10-28  | ESL11194 | 10-14  | ESL11265 | 10-20  | ESL11366 | 11-16  |
| ESL11123 | 10-28  | ESL11195 | 10-14  | ESL11266 | 10-20  | ESL11364 | 11-16  |
| ESL11124 | 10-28  | ESL11196 | 10-14  | ESL11267 | 10-20  | ESL11365 | 11-14  |
| ESL11125 | 10-26  | ESL11198 | 10-14  | ESL11269 | 10-16  | ESL11367 | 11-16  |
| ESL11125 | 10-26  | ESL11199 | 10-14  | ESL11269 | 10-20  | ESL11369 | 11-16  |
| ESL11126 | 10-26  | ESL11200 | 10-14  | ESL11270 | 10-16  | ESL11370 | 11-16  |
| ESL11126 | 10-26  | ESL11201 | 10-14  | ESL11271 | 10-16  | ESL11371 | 11-16  |
| ESL11126 | 8-11   | ESL11202 | 10-12  | ESL11271 | 10-20  | ESL11372 | 11-14  |
| ESL11131 | 8-10   | ESL11202 | 8-2    | ESL11272 | 10-16  | ESL11374 | 11-14  |
| ESL11132 | 10-28  | ESL11203 | 10-14  | ESL11272 | 10-20  | ESL11376 | 11-16  |
| ESL11132 | 8-10   | ESL11204 | 10-14  | ESL11273 | 10-16  | ESL14590 | 11-16  |
| ESL11134 | 10-28  | ESL11205 | 10-14  | ESL11273 | 10-20  | ESL11378 | 11-14  |
| ESL11135 | 10-28  | ESL11207 | 10-14  |          |        | ESL11381 | 11-14  |





**35/45/60 FARMTRAC PART NUMBERS W/CORRESPONDING PAGE NUMBER**

| <b>PART #</b> | <b>PAGE #</b> | <b>PART #</b> | <b>PAGE #</b> | <b>PART #</b> | <b>PAGE #</b> | <b>PART #</b> | <b>PAGE #</b> |
|---------------|---------------|---------------|---------------|---------------|---------------|---------------|---------------|
| ESL11388      | 11-12         | ESL11463      | 11B22         | ESL11552      | 12-10         | ESL11686      | 7-6           |
| ESL11389      | 11-12         | ESL11463      | 11C24         | ESL11553      | 12-10         | ESL11687      | 7-8           |
| ESL11390      | 11-12         | ESL11463      | 11D26         | ESL11554      | 12-10         | ESL11688      | 7-8           |
| ESL11394      | 11-12         | ESL11465      | 11A20         | ESL11555      | 12-12         | ESL11689      | 7-6           |
| ESL11396      | 11-12         | ESL11465      | 11B22         | ESL11556      | 12-12         | ESL11690      | 8-4           |
| ESL11397      | 11-12         | ESL11465      | 11C24         | ESL11580      | 12-18         | ESL11691      | 8-4           |
| ESL11398      | 11-12         | ESL11465      | 11D26         | ESL11581      | 12-18         | ESL11692      | 8-4           |
| ESL11399      | 11-12         | ESL11470      | 11-18         | ESL11585      | 12-18         | ESL11693      | 8-10          |
| ESL11400      | 11-12         | ESL11471      | 11-18         | ESL11610      | 13-2          | ESL11694      | 8-10          |
| ESL11400      | 1B-20         | ESL11472      | 11-18         | ESL11611      | 13-2          | ESL11695      | 8-12          |
| ESL11402      | 11-12         | ESL11480      | 11-18         | ESL11613      | 13-2          | ESL11696      | 8-12          |
| ESL11403      | 11-12         | ESL11481      | 11-18         | ESL11614      | 13-2          | ESL11698      | 9-2           |
| ESL11407      | 11-12         | ESL11482      | 11-18         | ESL11616      | 13-2          | ESL11699      | 9-2           |
| ESL11408      | 11-12         | ESL11490      | 12*2          | ESL11617      | 13-4          | ESL11700      | 9-6           |
| ESL11409      | 11-12         | ESL11493      | 12*2          | ESL11618      | 13-2          | ESL11701      | 9-6           |
| ESL11419      | 11A-20        | ESL11494      | 12*2          | ESL11621      | 13-2          | ESL11702      | 10-4          |
| ESL11421      | 11A-20        | ESL11494      | 4B4           | ESL11622      | 13-2          | ESL11703      | 10-4          |
| ESL11424      | 11A-20        | ESL11497      | 12*4          | ESL11623      | 13-4          | ESL11704      | 10-6          |
| ESL11425      | 11A-20        | ESL11498      | 12*2          | ESL11628      | 13-2          | ESL11705      | 10-6          |
| ESL11429      | 11A-20        | ESL11499      | 12*2          | ESL11632      | 13-4          | ESL11706      | 10-6          |
| ESL11430      | 11A-20        | ESL11500      | 12*2          | ESL11633      | 13-4          | ESL11707      | 10-6          |
| ESL11433      | 11A-20        | ESL11501      | 12*2          | ESL11637      | 13-4          | ESL11708      | 10-26         |
| ESL11436      | 11B-22        | ESL11502      | 12*2          | ESL11639      | 13-4          | ESL11712      | 14-2          |
| ESL11437      | 11A-20        | ESL11504      | 12*2          | ESL11640      | 13-4          | ESL11719      | 11-6          |
| ESL11438      | 11A-20        | ESL11505      | 12*2          | ESL11642      | 5B-12         | ESL11720      | 11-6          |
| ESL11439      | 11A-20        | ESL11507      | 12*2          | ESL11642      | 9-2           | ESL11720      | 11-8          |
| ESL11439      | 11B-22        | ESL11508      | 12*8          | ESL11643      | 1A-8          | ESL11721      | 11-6          |
| ESL11439      | 11C-24        | ESL11509      | 12*8          | ESL11644      | 1A-10         | ESL11723      | 11-14         |
| ESL11439      | 11D-26        | ESL11512      | 12*8          | ESL11644      | 1A-12         | ESL11729      | 12-6          |
| ESL11441      | 11A-20        | ESL11513      | 12*8          | ESL11645      | 1A-16         | ESL11737      | 1A-2          |
| ESL11441      | 11B-22        | ESL11514      | 12-8          | ESL11646      | 1A-16         | ESL11738      | 1A-2          |
| ESL11441      | 11C-24        | ESL11515      | 12-8          | ESL11648      | 3B-4          | ESL11739      | 1A-10         |
| ESL11441      | 11D-26        | ESL11519      | 12-2          | ESL11649      | 3B-4          | ESL11740      | 1A-14         |
| ESL11444      | 11A-20        | ESL11520      | 12-8          | ESL11650      | 3B-14         | ESL11741      | 1A-16         |
| ESL11444      | 11B-22        | ESL11521      | 12-6          | ESL11650      | 3B-2          | ESL11742      | 3B-4          |
| ESL11444      | 11C-24        | ESL11522      | 12-8          | ESL11650      | 7-4           | ESL11743      | 3B4           |
| ESL11446      | 11A-20        | ESL11523      | 12-8          | ESL11652      | 3B-14         | ESL11744      | 3B-2          |
| ESL11446      | 11B-22        | ESL11524      | 12-6          | ESL11652      | 3B-2          | ESL11745      | 3B-8          |
| ESL11446      | 11C-24        | ESL11525      | 12-6          | ESL11669      | 3B-14         | ESL11747      | 5-2           |
| ESL11447      | 11A-20        | ESL11526      | 12-6          | ESL11670      | 3B-14         | ESL11750      | 5A-10         |
| ESL11447      | 11B-22        | ESL11527      | 12-6          | ESL11671      | 3B-18         | ESL11751      | 5A-8          |
| ESL11460      | 11A-20        | ESL11528      | 12-6          | ESL11672      | 3B-18         | ESL11751      | 5A-8          |
| ESL11460      | 11B-22        | ESL11529      | 12-6          | ESL11673      | 3B-18         | ESL11751      | 5B-16         |
| ESL11460      | 11C-24        | ESL11532      | 12-6          | ESL11676      | 3B-20         | ESL11752      | 5A-6          |
| ESL11460      | 11D-26        | ESL11534      | 12-6          | ESL11677      | 5-2           | ESL11752      | 5B-12         |
| ESL11461      | 11-4          | ESL11542      | 12-12         | ESL11680      | 5A-4          | ESL11753      | 5B-18         |
| ESL11461      | 11A-20        | ESL11546      | 12-12         | ESL11681      | 5B-12         | ESL11754      | 6-2           |
| ESL11461      | 11B-22        | ESL11548      | 12-10         | ESL11682      | 5B-12         | ESL11755      | 7-8           |
| ESL11461      | 11C-24        | ESL11549      | 12-10         | ESL11683      | 5B-18         | ESL11758      | 8-8           |
| ESL11461      | 11D-26        | ESL11550      | 12-10         | ESL11684      | 6-4           | ESL11759      | 9-2           |
| ESL11463      | 11A-20        | ESL11551      | 12-10         | ESL11685      | 7-6           | ESL11760      | 9-2           |

**35/45/60 FARMTRAC PART NUMBERS W/CORRESPONDING PAGE NUMBER**

| <b>PART #</b> | <b>PAGE #</b> | <b>PART #</b> | <b>PAGE #</b> | <b>PART #</b> | <b>PAGE #</b> | <b>PART #</b> | <b>PAGE #</b> |
|---------------|---------------|---------------|---------------|---------------|---------------|---------------|---------------|
| ESL11762      | 10-22         | ESL11860      | 5-2           | ESL11961      | 11-6          | ESL12052      | 3B-2          |
| ESL11763      | 10-2          | ESL11862      | 5A-4          | ESL11969      | 10-12         | ESL12054      | 1A-2          |
| ESL11764      | 8-10          | ESL11863      | 5A-10         | ESL11969      | 8-2           | ESL12055      | 1A-2          |
| ESL11765      | 10-14         | ESL11864      | 5B-18         | ESL11970      | 10-12         | ESL12056      | 1A-4          |
| ESL11766      | 10-22         | ESL11869      | 7-2           | ESL11970      | 8-2           | ESL12057      | 3B-14         |
| ESL11767      | 10-18         | ESL11869      | 8-10          | ESL11971      | 8-2           | ESL12057      | 3B-2          |
| ESL11770      | 11-8          | ESL11871      | 8-4           | ESL11980      | 13-4          | ESL12058      | 12-14         |
| ESL11771      | 11-8          | ESL11873      | 8-10          | ESL11981      | 13-4          | ESL12060      | 5-2           |
| ESL11773      | 11-10         | ESL11875      | 9-2           | ESL11982      | 13-4          | ESL12066      | 12-4          |
| ESL11775      | 11-18         | ESL11877      | 14-2          | ESL11983      | 13-4          | ESL12067      | 11-6          |
| ESL11778      | 3A-2          | ESL11879      | 10-14         | ESL11985      | 11C-24        | ESL12068      | 3A-2          |
| ESL11778      | 3B-18         | ESL11880      | 10-20         | ESL11986      | 11C24         | ESL12068      | 3B-2          |
| ESL11778      | 3B-2          | ESL11881      | 10-18         | ESL11988      | 11-16         | ESL12069      | 11-8          |
| ESL11779      | 1A-16         | ESL11882      | 10-18         | ESL11989      | 11C-24        | ESL12070      | 2-2           |
| ESL11780      | 1A-14         | ESL11887      | 11-14         | ESL11990      | 11C-24        | ESL12071      | 2-4           |
| ESL11782      | 3B-4          | ESL11889      | 11-12         | ESL11991      | 11-18         | ESL12072      | 11-8          |
| ESL11787      | 3B-10         | ESL11891      | 12-8          | ESL11992      | 11B-22        | ESL12073      | 11-6          |
| ESL11788      | 3B-10         | ESL11894      | 11-18         | ESL11992      | 11C-24        | ESL12074      | 11-14         |
| ESL11793      | 5-2           | ESL11895      | 12-2          | ESL11993      | 11B-22        | ESL12074      | 12-18         |
| ESL11795      | 5A-10         | ESL11896      | 12-6          | ESL11993      | 11C-24        | ESL12076      | 1A-4          |
| ESL11795      | 5A-8          | ESL11900      | 8-4           | ESL11994      | 11C-24        | ESL12077      | 1A-4          |
| ESL11796      | 12-16         | ESL11901      | 8-8           | ESL11995      | 11C-24        | ESL12078      | 3B-2          |
| ESL11796      | 5A-8          | ESL11909      | 10-2          | ESL11996      | 11-16         | ESL12079      | 3B-22         |
| ESL11796      | 5B-16         | ESL11912      | 11A-20        | ESL11997      | 12-2          | ESL12080      | 13-2          |
| ESL11797      | 5B-14         | ESL11913      | 11A-20        | ESL11998      | 12-4          | ESL12081      | 10-26         |
| ESL11798      | 5B-18         | ESL11913      | 11C-24        | ESL11999      | 4B-4          | ESL12082      | 10-28         |
| ESL11804      | 8-4           | ESL11915      | 7-2           | ESL12002      | 11-6          | ESL12083      | 2-4           |
| ESL11806      | 8-10          | ESL11918      | 1A-8          | ESL12005      | 12-16         | ESL12085      | 5-2           |
| ESL11808      | 8-12          | ESL11919      | 1A-12         | ESL12007      | 12-14         | ESL12087      | 10-28         |
| ESL11810      | 9-2           | ESL11920      | 1A-16         | ESL12009      | 12-14         | ESL12089      | 1A-14         |
| ESL11819      | 11-14         | ESL11923      | 8-12          | ESL12011      | 12-14         | ESL12106      | 1A-4          |
| ESL11820      | 11-14         | ESL11924      | 9-6           | ESL12017      | 11-14         | ESL12111      | 1A-4          |
| ESL11821      | 11-14         | ESL11925      | 10-22         | ESL12018      | 3B-4          | ESL12116      | 1A-4          |
| ESL11823      | 11-12         | ESL11933      | 11-6          | ESL12018      | 5B-16         | ESL12117      | 1A-4          |
| ESL11824      | 12-8          | ESL11937      | 12-2          | ESL12019      | 12-16         | ESL12118      | 1A-4          |
| ESL11827      | 12-6          | ESL11937      | 5B-14         | ESL12023      | 3B-2          | ESL12123      | 1A-4          |
| ESL11828      | 12-6          | ESL11944      | 5B-12         | ESL12024      | 3B-14         | ESL12124      | 1A-4          |
| ESL11828      | 12-8          | ESL11945      | 5B-18         | ESL12024      | 3B-2          | ESL12125      | 1A-4          |
| ESL11830      | 11-18         | ESL11946      | 5B-18         | ESL12025      | 3B-2          | ESL12128      | 1A-8          |
| ESL11836      | 2-4           | ESL11947      | 5B-18         | ESL12026      | 3B-2          | ESL12136      | 1A-10         |
| ESL11837      | 2-4           | ESL11949      | 5B-12         | ESL12027      | 3B-2          | ESL12137      | 1A-10         |
| ESL11842      | 3B-8          | ESL11950      | 5B-12         | ESL12028      | 3B-2          | ESL12138      | 1A-10         |
| ESL11845      | 3B-10         | ESL11951      | 5B-14         | ESL12029      | 2-8           | ESL12139      | 1A-10         |
| ESL11846      | 3B-10         | ESL11953      | 12-8          | ESL12030      | 1A-10         | ESL12145      | 1A-14         |
| ESL11847      | 3B-10         | ESL11954      | 11-6          | ESL12031      | 1A-2          | ESL12149      | 1A-8          |
| ESL11852      | 3B-12         | ESL11955      | 11-6          | ESL12032      | 1A-2          | ESL12150      | 1A-8          |
| ESL11853      | 3B-12         | ESL11956      | 11-6          | ESL12033      | 1A-14         | ESL12151      | 1A-8          |
| ESL11855      | 3B-18         | ESL11956      | 2-4           | ESL12034      | 1A-14         | ESL12152      | 1A-8          |
| ESL11856      | 3B-18         | ESL11957      | 11-6          | ESL12036      | 1A-2          | ESL12153      | 2-2           |
| ESL11857      | 3B-18         | ESL11958      | 11-6          | ESL12037      | 3B-2          | ESL12154      | 2-2           |
| ESL11859      | 4B-4          | ESL11960      | 11-6          | ESL12042      | 11-6          | ESL12162      | 2-2           |



**35/45/60 FARMTRAC PART NUMBERS W/CORRESPONDING PAGE NUMBER**

| <b>PART #</b> | <b>PAGE #</b> | <b>PART #</b> | <b>PAGE #</b> | <b>PART #</b> | <b>PAGE #</b> | <b>PART #</b> | <b>PAGE #</b> |
|---------------|---------------|---------------|---------------|---------------|---------------|---------------|---------------|
| ESL12164      | 2-2           | ESL12419      | 5B-18         | ESL12582      | 12-8          | ESL13323      | 1A-4          |
| ESL12168      | 2-8           | ESL12422      | 5A-8          | ESL12587      | 11-4          | ESL13324      | 1A-4          |
| ESL12205      | 3B-8          | ESL12422      | 5B-16         | ESL12588      | 11-12         | ESL13342      | 9-6           |
| ESL12210      | 3B-6          | ESL12423      | 5B-16         | ESL12588      | 14-2          | ESL13402      | 11-10         |
| ESL12211      | 3B-6          | ESL12423      | 5B-16         | ESL12589      | 14-2          | ESL13405      | 3B-8          |
| ESL12212      | 3B-6          | ESL12424      | 5A-4          | ESL12590      | 14-2          | ESL13406      | 3B-16         |
| ESL12224      | 4B-2          | ESL12426      | 8-8           | ESL12599      | 14-2          | ESL13444      | 11-2          |
| ESL12226      | 5-2           | ESL12434      | 10-26         | ESL12600      | 10-24         | ESL13445      | 11-2          |
| ESL12230      | 5A-8          | ESL12435      | 10-22         | ESL12601      | 10-24         | ESL13449      | 11-2          |
| ESL12235      | 5B-14         | ESL12441      | 10-10         | ESL12602      | 10-24         | ESL13451      | 11-2          |
| ESL12236      | 5B-14         | ESL12454      | 11-14         | ESL12603      | 10-24         | ESL13453      | 11-2          |
| ESL12237      | 5B-18         | ESL12464      | 11-16         | ESL12604      | 10-24         | ESL13461      | 11-2          |
| ESL12238      | 5B-18         | ESL12487      | 12-16         | ESL12605      | 10-24         | ESL13462      | 11-2          |
| ESL12239      | 12-16         | ESL12490      | 5B-16         | ESL12606      | 10-24         | ESL13464      | 11-2          |
| ESL12239      | 5B-18         | ESL12491      | 5B-16         | ESL12607      | 10-24         | ESL13465      | 11-2          |
| ESL12240      | 5B-18         | ESL12492      | 5B-16         | ESL12609      | 12-2          | ESL13466      | 11-2          |
| ESL12248      | 7-2           | ESL12493      | 5B-16         | ESL12610      | 12-2          | ESL13468      | 11-2          |
| ESL12249      | 7-6           | ESL12494      | 5B-16         | ESL12611      | 13-2          | ESL13470      | 11-2          |
| ESL12253      | 10-12         | ESL12496      | 10-2          | ESL12612      | 13-2          | ESL13473      | 11-2          |
| ESL12267      | 10-26         | ESL12501      | 5B-16         | ESL12616      | 2-4           | ESL13474      | 11-2          |
| ESL12279      | 10-14         | ESL12505      | 11-6          | ESL12617      | 2-4           | ESL13475      | 11-2          |
| ESL12280      | 10-18         | ESL12507      | 5B-16         | ESL12618      | 2-4           | ESL13477      | 11-2          |
| ESL12281      | 10-18         | ESL12508      | 12-18         | ESL12624      | 1A-8          | ESL13478      | 11-2          |
| ESL12285      | 11-10         | ESL12513      | 2-4           | ESL12626      | 1A-10         | ESL13479      | 11-2          |
| ESL12291      | 11-14         | ESL12515      | 2-4           | ESL12629      | 1A-16         | ESL13481      | 11-4          |
| ESL12303      | 11-16         | ESL12520      | 5B-16         | ESL12632      | 2-4           | ESL13482      | 11-4          |
| ESL12320      | 11B-22        | ESL12523      | 5B-16         | ESL12636      | 3B-20         | ESL13491      | 11-6          |
| ESL12321      | 11B-22        | ESL12525      | 12-8          | ESL12679      | 12-6          | ESL13499      | 11-14         |
| ESL12323      | 11B-22        | ESL12527      | 6-4           | ESL12679      | 3B-22         | ESL13501      | 11-14         |
| ESL12327      | 11B-22        | ESL12529      | 7-4           | ESL12688      | 3B-20         | ESL13504      | 11-14         |
| ESL12328      | 11A-20        | ESL12529      | 8-2           | ESL12698      | 5A-4          | ESL13505      | 11-12         |
| ESL12329      | 11A-20        | ESL12532      | 8-6           | ESL12698      | 5B-12         | ESL13514      | 11-12         |
| ESL12330      | 11C-24        | ESL12534      | 10-28         | ESL12698      | 5B-14         | ESL13515      | 11-12         |
| ESL12331      | 11C24         | ESL12535      | 10-28         | ESL12699      | 5A-6          | ESL13518      | 11-12         |
| ESL12343      | 12-4          | ESL12545      | 11-10         | ESL12699      | 5B-12         | ESL13524      | 11-18         |
| ESL12344      | 12-4          | ESL12546      | 11-10         | ESL12699      | 5B-14         | ESL13537      | 12-2          |
| ESL12346      | 2-8           | ESL12547      | 11-10         | ESL12713      | 5B-14         | ESL13583      | 12-6          |
| ESL12348      | 12-4          | ESL12548      | 11-10         | ESL12731      | 5B-16         | ESL13600      | 12-12         |
| ESL12349      | 12-8          | ESL12559      | 11-12         | ESL13095      | 1A-2          | ESL13600      | 12-14         |
| ESL12355      | 12-6          | ESL12560      | 11-12         | ESL13096      | 1A2           | ESL13619      | 13-4          |
| ESL12356      | 12-6          | ESL12561      | 11-12         | ESL13271      | 1A-8          | ESL13626      | 14-4          |
| ESL12361      | 12-10         | ESL12563      | 11D-26        | ESL13277      | 3B-14         | ESL13627      | 14-4          |
| ESL12361      | 3B-20         | ESL12565      | 11D-26        | ESL13280      | 10-16         | ESL13628      | 14-4          |
| ESL12370      | 12-14         | ESL12565      | 11D-26        | ESL13281      | 10-16         | ESL13629      | 14-4          |
| ESL12371      | 12-14         | ESL12567      | 11D-26        | ESL13303      | 5B-12         | ESL13630      | 14-4          |
| ESL12372      | 12-14         | ESL12568      | 11D-26        | ESL13304      | 5A-6          | ESL13631      | 14-4          |
| ESL12373      | 12-14         | ESL12569      | 11D-26        | ESL13304      | 5B-12         | ESL13632      | 14-4          |
| ESL12411      | 5-2           | ESL12571      | 11-18         | ESL13310      | 4B-4          | ESL13633      | 14-4          |
| ESL12412      | 5-2           | ESL12573      | 11-14         | ESL13313      | 3B-2          | ESL13634      | 14-4          |
| ESL12413      | 5A-4          | ESL12580      | 12-8          | ESL13313      | 3B-18         | ESL13635      | 14-4          |
| ESL12415      | 5A-4          | ESL12581      | 12-8          | ESL13321      | 1A-4          |               |               |

**35/45/60 FARMTRAC PART NUMBERS W/CORRESPONDING PAGE NUMBER**

| <b>PART #</b> | <b>PAGE #</b> | <b>PART #</b> | <b>PAGE #</b> | <b>PART #</b> | <b>PAGE #</b> | <b>PART #</b> | <b>PAGE #</b> |
|---------------|---------------|---------------|---------------|---------------|---------------|---------------|---------------|
| ESL13641      | 11-14         | ESL14222      | 1B-2          | ESL14272      | 1B-6          | ESL14322      | 1B-16         |
| ESL13655      | 10-24         | ESL14223      | 1B-2          | ESL14273      | 1B-6          | ESL14323      | 1B-16         |
| ESL13656      | 10-24         | ESL14224      | 1B-2          | ESL14274      | 1B-6          | ESL14324      | 1B-16         |
| ESL13672      | 10-16         | ESL14225      | 1B-2          | ESL14275      | 1B-6          | ESL14325      | 1B-16         |
| 789918        | 11-14         | ESL14226      | 1B-2          | ESL14276      | 1B-6          | ESL14326      | 1B-16         |
| ESL13678      | 5B-12         | ESL14227      | 1B-2          | ESL14277      | 1B-6          | ESL14327      | 1B-16         |
| ESL13682      | 3B-4          | ESL14228      | 1B-2          | ESL14278      | 1B-6          | ESL14328      | 1B-16         |
| ESL13683      | 3B-14         | ESL14229      | 1B-2          | ESL14279      | 1B-6          | ESL14329      | 1B-16         |
| ESL13685      | 5B-16         | ESL14230      | 1B-2          | ESL14280      | 1B-6          | ESL14330      | 1B-16         |
| ESL13693      | 13-4          | ESL14231      | 1B-2          | ESL14281      | 1B-8          | ESL14331      | 1B-16         |
| ESL13694      | 13-4          | ESL14232      | 1B-2          | ESL14282      | 1B-8          | ESL14332      | 1B-16         |
| ESL13695      | 13-4          | ESL14233      | 1B-2          | ESL14283      | 1B-8          | ESL14333      | 1B-16         |
| ESL13696      | 13-4          | ESL14234      | 1B-2          | ESL14284      | 1B-8          | ESL14334      | 1B-16         |
| ESL13697      | 13-2          | ESL14235      | 1B-2          | ESL14285      | 1B-8          | ESL14335      | 1B-16         |
| ESL13705      | 11D-26        | ESL14236      | 1B-2          | ESL14286      | 1B-8          | ESL14336      | 1B-18         |
| ESL13709      | 11D-26        | ESL14237      | 1B-2          | ESL14287      | 1B-8          | ESL14337      | 1B-18         |
| ESL13711      | 11D-26        | ESL14238      | 1B-2          | ESL14288      | 1B-10         | ESL14338      | 1B-18         |
| ESL13713      | 14-2          | ESL14239      | 1B-4          | ESL14289      | 1B-10         | ESL14339      | 1B-18         |
| ESL13714      | 14-2          | ESL14240      | 1B-4          | ESL14290      | 1B-10         | ESL14340      | 1B-18         |
| ESL13716      | 11-12         | ESL14241      | 1B-4          | ESL14291      | 1B-10         | ESL14341      | 1B-18         |
| ESL13719      | 12-2          | ESL14242      | 1B-4          | ESL14292      | 1B-10         | ESL14342      | 1B-18         |
| ESL13724      | 12-6          | ESL14243      | 1B-4          | ESL14293      | 1B-10         | ESL14343      | 1B-18         |
| ESL13724      | 12-8          | ESL14244      | 1B-4          | ESL14294      | 1B-10         | ESL14344      | 1B-18         |
| ESL13732      | 11-18         | ESL14245      | 1B-4          | ESL14295      | 1B-10         | ESL14345      | 1B-18         |
| ESL13734      | 11-14         | ESL14246      | 1B-4          | ESL14296      | 1B-10         | ESL14346      | 1B-18         |
| ESL13735      | 11-14         | ESL14247      | 1B-6          | ESL14297      | 1B-10         | ESL14347      | 1B-18         |
| ESL13736      | 11-14         | ESL14248      | 1B-6          | ESL14298      | 1B-12         | ESL14348      | 1B-18         |
| ESL13737      | 11-18         | ESL14249      | 1B-6          | ESL14299      | 1B-12         | ESL14349      | 1B-18         |
| ESL13738      | 11-*18        | ESL14250      | 1B-6          | ESL14300      | 1B-12         | ESL14350      | 1B-18         |
| ESL14195      | 12-8          | ESL14251      | 1B-6          | ESL14301      | 1B-12         | ESL14351      | 1B-18         |
| ESL14196      | 8-12          | ESL14252      | 1B-6          | ESL14302      | 1B-12         | ESL14352      | 1B-18         |
| ESL14204      | 5B-14         | ESL14253      | 1B-6          | ESL14303      | 1B-12         | ESL14353      | 1B-22         |
| ESL14206      | 1A-16         | ESL14254      | 1B-6          | ESL14304      | 1B-12         | ESL14354      | 1B-22         |
| ESL14207      | 1B-2          | ESL14255      | 1B-6          | ESL14305      | 1B-12         | ESL14355      | 1B-22         |
| ESL14208      | 1B-2          | ESL14256      | 1B-6          | ESL14306      | 1B-12         | ESL14356      | 1B-22         |
| ESL14209      | 1B-2          | ESL14257      | 1B-6          | ESL14307      | 1B-14         | ESL14357      | 1B-22         |
| ESL14210      | 1B2           | ESL14258      | 1B-6          | ESL14308      | 1B-14         | ESL14358      | 1B-22         |
| ESL14211      | 1B-2          | ESL14259      | 1B-6          | ESL14309      | 1B-14         | ESL14359      | 1B-22         |
| ESL14212      | 1B-2          | ESL14260      | 1B-6          | ESL14310      | 1B-14         | ESL14360      | 1B-22         |
| ESL14213      | 1B-2          | ESL14261      | 1B-6          | ESL14311      | 1B-14         | ESL14361      | 1B-22         |
| ESL14214      | 1B-2          | ESL14262      | 1B-6          | ESL14312      | 1B-14         | ESL14362      | 1B-22         |
| ESL14215      | 1B-2          | ESL14263      | 1B-6          | ESL14313      | 1B-14         | ESL14363      | 1B-22         |
| ESL14216      | 1B-2          | ESL14264      | 1B-6          | ESL14314      | 1B-14         | ESL14364      | 1B-22         |
| ESL14217      | 1B-2          | ESL14265      | 1B-6          | ESL14315      | 1B-14         | ESL14365      | 1B-22         |
| ESL14218      | 1B-2          | ESL14266      | 1B-6          | ESL14316      | 1B-14         | ESL14366      | 1B-22         |
| ESL14219      | 1B-2          | ESL14267      | 1B-6          | ESL14317      | 1B-14         | ESL14367      | 1B-22         |
| ESL14219      | 5A-4          | ESL14268      | 1B-6          | ESL14318      | 1B-14         | ESL14369      | 1B-22         |
| ESL14220      | 1B-2          | ESL14269      | 1B-6          | ESL14319      | 1B-14         | ESL14370      | 11-4          |
| ESL14220      | 5A-4          | ESL14270      | 1B-6          | ESL14320      | 1B-14         | ESL14370      | 1B-22         |
| ESL14221      | 1B-2          | ESL14271      | 1B-6          | ESL14321      | 1B-16         | ESL14371      | 2-2           |

**35/45/60 FARMTRAC PART NUMBERS W/CORRESPONDING PAGE NUMBER**

| <b>PART #</b> | <b>PAGE #</b> | <b>PART #</b> | <b>PAGE #</b> | <b>PART #</b> | <b>PAGE #</b> | <b>PART #</b> | <b>PAGE #</b> |
|---------------|---------------|---------------|---------------|---------------|---------------|---------------|---------------|
| ESL14372      | 2-2           | ESL14418      | 3A-6          | ESL14468      | 6-2           | ESL14524      | 11-12         |
| ESL14373      | 2-4           | ESL14419      | 3A-6          | ESL14469      | 6-2           | ESL14525      | 11-12         |
| ESL14374      | 2-4           | ESL14420      | 3A-6          | ESL14470      | 6-4           | ESL14528      | 11-18         |
| ESL14375      | 2-4           | ESL14421      | 3A-6          | ESL14472      | 7-6           | ESL14529      | 11A-20        |
| ESL14376      | 2-4           | ESL14422      | 3A-6          | ESL14473      | 7-6           | ESL14529      | 11B-22        |
| ESL14377      | 2-6           | ESL14423      | 3A-6          | ESL14474      | 7-8           | ESL14529      | 11C-24        |
| ESL14378      | 2-6           | ESL14424      | 3A-6          | ESL14475      | 8-4           | ESL14529      | 11D-26        |
| ESL14379      | 2-6           | ESL14425      | 3A-6          | ESL14476      | 8-4           | ESL14530      | 11D-26        |
| ESL14380      | 2-6           | ESL14426      | 3A-6          | ESL14477      | 8-8           | ESL14531      | 11D-26        |
| ESL14381      | 2-6           | ESL14427      | 3A-6          | ESL14478      | 8-8           | ESL14532      | 11D-26        |
| ESL14382      | 2-6           | ESL14428      | 3A-6          | ESL14479      | 8-12          | ESL14533      | 11D-26        |
| ESL14383      | 2-6           | ESL14429      | 3A-6          | ESL14480      | 8-12          | ESL14534      | 11D-26        |
| ESL14384      | 2-6           | ESL14430      | 3A-6          | ESL14481      | 9-2           | ESL14535      | 11B-22        |
| ESL14385      | 2-6           | ESL14431      | 3A-6          | ESL14482      | 9-2           | ESL14537      | 12-6          |
| ESL14386      | 2-6           | ESL14432      | 3B-20         | ESL14483      | 10-12         | ESL14538      | 12-6          |
| ESL14387      | 2-6           | ESL14433      | 3B-20         | ESL14484      | 10-12         | ESL14539      | 12-6          |
| ESL14388      | 2-6           | ESL14434      | 3B-20         | ESL14485      | 10-12         | ESL14540      | 12-8          |
| ESL14389      | 2-6           | ESL14435      | 4A-2          | ESL14486      | 10-16         | ESL14541      | 12-8          |
| ESL14390      | 2-6           | ESL14436      | 4A-2          | ESL14487      | 10-16         | ESL14543      | 13-2          |
| ESL14391      | 2-6           | ESL14437      | 4A-2          | ESL14488      | 10-16         | ESL14544      | 13-2          |
| ESL14392      | 2-6           | ESL14438      | 4A-2          | ESL14489      | 10-16         | ESL14545      | 13-2          |
| ESL14392      | 3A-4          | ESL14439      | 4A-2          | ESL14490      | 10-16         | ESL14546      | 13-2          |
| ESL14393      | 3A-2          | ESL14440      | 4A-2          | ESL14491      | 10-16         | ESL14547      | 13-4          |
| ESL14394      | 3A-2          | ESL14441      | 4A-2          | ESL14492      | 10-16         | ESL14548      | 13-4          |
| ESL14394      | 3A-4          | ESL14442      | 4A-2          | ESL14493      | 10-16         | ESL14549      | 13-4          |
| ESL14395      | 3A-2          | ESL14443      | 4A-2          | ESL14494      | 10-16         | ESL14550      | 1A-4          |
| ESL14396      | 3A-2          | ESL14444      | 4A-4          | ESL14495      | 10-16         | ESL14551      | 1B-20         |
| ESL14397      | 3A-2          | ESL14445      | 4A-4          | ESL14496      | 10-16         | ESL14552      | 1B-20         |
| ESL14398      | 3A-2          | ESL14446      | 4A-4          | ESL14497      | 10-16         | ESL14553      | 1B-22         |
| ESL14399      | 3A-2          | ESL14447      | 4A-4          | ESL14499      | 10-16         | ESL14554      | 2-6           |
| ESL14400      | 3A-2          | ESL14448      | 4A-4          | ESL14505      | 10-16         | ESL14555      | 3A-2          |
| ESL14401      | 3A-2          | ESL14449      | 4A-4          | ESL14506      | 10-16         | ESL14556      | 4A-4          |
| ESL14402      | 3A-2          | ESL14450      | 4A-4          | ESL14507      | 10-28         | ESL14557      | 4A-4          |
| ESL14403      | 3A-2          | ESL14451      | 4A-4          | ESL14508      | 10-28         | ESL14558      | 4A-4          |
| ESL14403      | 3A-6          | ESL14452      | 4A-4          | ESL14509      | 11-4          | ESL14559      | 5B-14         |
| ESL14404      | 3A-2          | ESL14453      | 4A-4          | ESL14510      | 11-4          | ESL14560      | 5B-16         |
| ESL14405      | 3A-2          | ESL14454      | 4A-4          | ESL14511      | 11-6          | ESL14561      | 5B-16         |
| ESL14405      | 3A-6          | ESL14455      | 4A-4          | ESL14512      | 11-6          | ESL14562      | 5B-16         |
| ESL14406      | 3A-2          | ESL14456      | 4A-4          | ESL14513      | 11-6          | ESL14563      | 5B-16         |
| ESL14407      | 3A-2          | ESL14457      | 12-2          | ESL14514      | 11-6          | ESL14565      | 8-10          |
| ESL14408      | 3A-2          | ESL14457      | 4A-4          | ESL14515      | 11-6          | ESL14566      | 10-26         |
| ESL14409      | 3A-2          | ESL14458      | 4A-4          | ESL14516      | 11-6          | ESL14567      | 11A-20        |
| ESL14410      | 3A-2          | ESL14459      | 4A-6          | ESL14517      | 11-6          | ESL14568      | 11D-26        |
| ESL14411      | 3A-2          | ESL14460      | 4A-6          | ESL14518      | 11-6          | ESL14570      | 13-2          |
| ESL14412      | 3A-2          | ESL14461      | 4A-6          | ESL14519      | 11-6          | ESL14573      | 5A-4          |
| ESL14413      | 3A-4          | ESL14462      | 4A-6          | ESL14520      | 11-6          | ESL14573      | 5A-4          |
| ESL14414      | 3A-4          | ESL14463      | 4A-6          | ESL14521      | 11-10         | ESL14574      | 5A-4          |
| ESL14415      | 3A-4          | ESL14464      | 4A-6          | ESL14521      | 12-2          | ESL14575      | 5A-4          |
| ESL14416      | 3A-6          | ESL14465      | 4A-6          | ESL14522      | 11-12         | ESL14576      | 5A-4          |
| ESL14417      | 3A-6          | ESL14467      | 6-2           | ESL14523      | 11-12         | ESL14577      | 5A-4          |

**35/45/60 FARMTRAC PART NUMBERS W/CORRESPONDING PAGE NUMBER**

| <b>PART #</b> | <b>PAGE #</b> | <b>PART #</b> | <b>PAGE #</b> | <b>PART #</b> | <b>PAGE #</b> | <b>PART #</b> | <b>PAGE #</b> |
|---------------|---------------|---------------|---------------|---------------|---------------|---------------|---------------|
| ESL14578      | 5A-8          | N620013-S8    | 5A-4          | N-630175-S8   | 3A-2          |               |               |
| ESL14579      | 5A-8          | N-620013-S8   | 11-14         | N-630176-S8   | 1B-18         |               |               |
| ESL14579      | 5A8           | N-620013-S8   | 11-6          | N-630317-S8   | 12-2          |               |               |
| ESL14580      | 5A-4          | N-620013-S8   | 11-6          |               |               |               |               |
| ESL14583      | 5A-4          | N-620013-S8   | 12-18         |               |               |               |               |
| ESL14585      | 1B-22         | N-620013-S8   | 1B-14         |               |               |               |               |
| ESL14586      | 10-12         | N-620013-S8   | 1B6           |               |               |               |               |
| ESL14587      | 10-16         | N-620013-S8   | 3A-2          |               |               |               |               |
| ESL14588      | 10-26         | N-620014-S8   | 1B-6          |               |               |               |               |
| ESL14589      | 11-12         | N-620014-S8   | 1B-6          |               |               |               |               |
| ESL14590      | 11-16         | N620016-S8    | 10-26         |               |               |               |               |
| ESL15048      | 5A-4          | N-620016-S8   | 1B-18         |               |               |               |               |
| N-600112-S8   | 5B-16         | N-620042-S8   | 2-4           |               |               |               |               |
| N-600212-S8   | 5A-4          | N-630012-S8   | 5B-18         |               |               |               |               |
| N-600213-S8   | 6-2           | N-630013-S8   | 1B-2          |               |               |               |               |
| N-600218-S8   | 12-16         | N-630016-S8   | 3A-2          |               |               |               |               |
| N-600218-S8   | 12-16         | N-630066-S8   | 11-18         |               |               |               |               |
| N-601796-S8   | 3A-6          | N-630067-S8   | 11-6          |               |               |               |               |
| N-605500-S8   | 3B-20         | N-630067-S8   | 12-2          |               |               |               |               |
| N-605515-S8   | 11-16         | N-630067-S8   | 5A-4          |               |               |               |               |
| N-605515-S8   | 1B-22         | N-630067-S8   | 5B-14         |               |               |               |               |
| N-605515-S8   | 5A-4          | N-630067-S8   | 5B-18         |               |               |               |               |
| N-605528-S8   | 8-8           | N-630068-S8   | 12-18         |               |               |               |               |
| N-605529-S8   | 1B-18         | N-630069-S8   | 1B-2          |               |               |               |               |
| N-605531-S8   | 11-12         | N-630069-S8   | 2-6           |               |               |               |               |
| N-605531-S8   | 1A-16         | N630072-S8    | 10-26         |               |               |               |               |
| N-605531-S8   | 1B-14         | N-630172-S8   | 1B-14         |               |               |               |               |
| N-605531-S8   | 4A-2          | N-630172-S8   | 1B-22         |               |               |               |               |
| N-605532-S8   | 10-16         | N-630173-S8   | 10-16         |               |               |               |               |
| N-605532-S8   | 11-6          | N-630173-S8   | 11-14         |               |               |               |               |
| N-605532-S8   | 12-18         | N-630173-S8   | 11-6          |               |               |               |               |
| N-605532-S8   | 1B-14         | N-630173-S8   | 12-16         |               |               |               |               |
| N-605532-S8   | 1B-6          | N-630173-S8   | 12-16         |               |               |               |               |
| N-605534-S8   | 3A-2          | N-630173-S8   | 1A-16         |               |               |               |               |
| N-605534-S8   | 4A-2          | N-630173-S8   | 1B-14         |               |               |               |               |
| N-605535-S8   | 1B-2          | N-630173-S8   | 1B-16         |               |               |               |               |
| N-605536-S8   | 10-16         | N-630173-S8   | 1B-2          |               |               |               |               |
| N-605539-S8   | 1B-14         | N-630173-S8   | 3A-2          |               |               |               |               |
| N-605542-S8   | 2-4           | N-630173-S8   | 4A-2          |               |               |               |               |
| N-605545-S    | 2-2           | N-630173-S8   | 4A-6          |               |               |               |               |
| N-605545-S8   | 11-6          | N-630173-S8   | 5A-10         |               |               |               |               |
| N-605546-S8   | 1B-2          | N-630174-S8   | 11-4          |               |               |               |               |
| N-605547-S8   | 1B-2          | N-630174-S8   | 11-6          |               |               |               |               |
| N-605548-S8   | 5B-16         | N-630174-S8   | 12-2          |               |               |               |               |
| N-605549-S8   | 1B-18         | N-630174-S8   | 1B-2          |               |               |               |               |
| N-605559-S8   | 10-16         | N-630174-S8   | 1B-6          |               |               |               |               |
| N-606321-S8   | 11-14         | N-630174-S8   | 1B-6          |               |               |               |               |
| N-620012-S8   | 11-16         | N-630174-S8   | 2-4           |               |               |               |               |
| N-620012-S8   | 12-2          | N-630174-S8   | 2-6           |               |               |               |               |
| N-620012-S8   | 1B-14         | N-630174-S8   | 4A-4          |               |               |               |               |
| N-620012-S8   | 5B-14         | N-630174-S8   | 5B-16         |               |               |               |               |



**35/45/60 FARMTRAC PART NUMBERS W/CORRESPONDING PAGE NUMBER**

| <b>PART #</b> | <b>PAGE #</b> | <b>PART #</b> | <b>PAGE #</b> | <b>PART #</b> | <b>PAGE #</b> | <b>PART #</b> | <b>PAGE #</b> |
|---------------|---------------|---------------|---------------|---------------|---------------|---------------|---------------|
| 87133         | 1A-8          | 82835253      | 1A-16         | 11-12276-AB   | 11-12         | 11-20019-AA   | 8-2           |
| 304665        | 12-6          | 82835263      | 11-10         | 11-12310-AA   | 11-12         | 11-20021-AA   | 10-12         |
| 310086        | 8-6           | 82835283      | 13-2          | 11-12360-AA   | 11-12         | 11-20021-AA   | 8-2           |
| 310088        | 8-6           | 82835284      | 13-2          | 11-12360-CA   | 11-12         | 11-30011-AB   | 5B-14         |
| 311113        | 10-24         | 82835285      | 13-4          | 11-12420-AA   | 11A-20        | 11-30011-AC   | 5B-12         |
| 314267        | 8-6           | 82835286      | 13-4          | 11-12420-AA   | 11B-22        | 11-30051-AA   | 5B-12         |
| 906043        | 5B-12         | 82835297      | 5B-12         | 11-12477-AB   | 11-12         | 11-30053-AA   | 5B-12         |
| 81869937      | 1A-8          | 82835297      | 5A-4          | 11-12883-AB   | 11-12         | 11-30060-AA   | 5B-14         |
| 82835009      | 1A-8          | 82835303      | 12-8          | 11-12900-AA   | 11-12         | 11-30060-AB   | 5B-12         |
| 82835019      | 12-8          | 82835331      | 1A-4          | 11-12949-AA   | 11-12         | 11-30070-AA   | 5B-14         |
| 82835036      | 3A-2          | 82835334      | 1A-6          | 11-13030-AA   | 11-16         | 11-30070-AB   | 5B-12         |
| 82835036      | 3B-18         | 82835337      | 1A-6          | 11-13040-AA   | 11-16         | 11-30072-AA   | 5A-4          |
| 82835036      | 3B-2          | 82835339      | 10-2          | 11-13048-AB   | 11-18         | 11-30073-AA   | 5A-4          |
| 82835046      | 7-2           | 82835340      | 8-2           | 11-13049-AB   | 11-18         | 11-30106-AA   | 5-2           |
| 82835059      | 4B-2          | 82835345      | 5A-8          | 11-13302-AA   | 11-16         | 11-30139-AA   | 5-2           |
| 82835070      | 5A-4          | 82835347      | 11-14         | 11-13480-AA   | 11-14         | 11-30195-AA   | 5-2           |
| 82835072      | 8-12          | 82835357      | 10-12         | 11-13555-AA   | 11-2          | 11-30220-AB   | 5-2           |
| 82835075      | 1A-16         | 82835375      | 5B-12         | 11-13556-AA   | 11-2          | 11-30387-AA   | 5-2           |
| 82835077      | 3B-22         | 82835391      | 2-2           | 11-13560-AA   | 11-2          | 11-33241-AA   | 5B-18         |
| 82835080      | 3B-22         | 82835393      | 2-2           | 11-13562-AA   | 11-2          | 11-33242-AA   | 5B-18         |
| 82835083      | 3B-22         | 82835398      | 13-4          | 11-13564-AA   | 11-2          | 11-33243-AA   | 5B-18         |
| 82835089      | 2-8           | 82835399      | 12-6          | 11-13572-AA   | 11-2          | 11-33244-AA   | 5B-18         |
| 82835100      | 11A-20        | 82835409      | 3B-20         | 11-13573-AA   | 11-2          | 11-33245-AA   | 5B-18         |
| 82835100      | 11B-22        | 82835414      | 13-4          | 11-13575-AA   | 11-2          | 11-33247-AA   | 5B-18         |
| 82835100      | 11C-24        | 82835418      | 13-4          | 11-13576-AA   | 11-2          | 11-33280-AC   | 5B-14         |
| 82835100      | 11D-26        | 82835420      | 13-4          | 11-13577-AA   | 11-2          | 11-33280-BA   | 5B-14         |
| 82835101      | 11-4          | 82835422      | 4B-4          | 11-13579-AA   | 11-2          | 11-33289-AA   | 5B-12         |
| 82835101      | 11A-20        | 82835432      | 12-2          | 11-13581-AA   | 11-2          | 11-33334-AA   | 5B-18         |
| 82835101      | 11B-22        | 82835435      | 12-4          | 11-13584-AA   | 11-2          | 11-33338-AA   | 5B-18         |
| 82835101      | 11C-24        | 82835439      | 2-4           | 11-13585-AA   | 11-2          | 11-33339-AA   | 5B-18         |
| 82835101      | 11D-26        | 82835446      | 1A-16         | 11-13586-AA   | 11-2          | 11-33341-AA   | 5B-18         |
| 82835105      | 3B-20         | 82972948      | 13-2          | 11-13588-AA   | 11-2          | 11-33360-AA   | 5B-16         |
| 82835105      | 3B-20         | 87800696      | 1A-8          | 11-13589-AA   | 11-2          | 11-33365-AA   | 5B-16         |
| 82835125      | 11-4          | 202662283     | 12-16         | 11-13590-AA   | 11-2          | 11-33400-AA   | 5B-18         |
| 82835133      | 12-10         | 230298000     | 12-16         | 11-13592-AA   | 11-4          | 11-33400-AB   | 5B-18         |
| 82835133      | 3B-20         | 292508383     | 12-16         | 11-13593-AA   | 11-4          | 11-33410-AA   | 5B-18         |
| 82835136      | 3B-4          | 1 417 413 012 | 3A-4          | 11-13915-AA   | 11-16         | 11-33410-AB   | 5B-18         |
| 82835140      | 11-12         | 11-01010-AA   | 5-2           | 11-16300-AA   | 12-8          | 11-33420-AA   | 5B-16         |
| 82835148      | 13-2          | 11-04401-AA   | 12-18         | 11-16310-AC   | 12-12         | 11-33425-AA   | 11-6          |
| 82835166      | 14-4          | 11-04403-AA   | 12-18         | 11-16320-AC   | 12-12         | 11-33430-AA   | 5B-18         |
| 82835171      | 14-4          | 11-05560-AA   | 10-26         | 11-16600-AA   | 12-8          | 11-33430-AB   | 5B-18         |
| 82835172      | 14-4          | 11-07716-A    | 8-6           | 11-16765-AB   | 12-8          | 11-33432-AA   | 11-8          |
| 82835180      | 3B-22         | 11-10145-AA   | 11-6          | 11-16766-AB   | 12-8          | 11-33440-AA   | 5B-18         |
| 82835182      | 1A-12         | 11-10239-AA   | 11-6          | 11-16850-AA   | 9-4           | 11-33440-BB   | 5B-18         |
| 82835192      | 1A-16         | 11-10376-AA   | 11-6          | 11-17000-AA   | 12-14         | 11-33450-AA   | 5B-18         |
| 82835193      | 1A-16         | 11-11010-AA   | 11A-20        | 11-18220-AB   | 12-2          | 11-33450-AB   | 5B-18         |
| 82835212      | 8-8           | 11-11010-AA   | 11B-22        | 11-18570-AA   | 12-2          | 11-33460-AA   | 5B-18         |
| 82835213      | 7-4           | 11-11010-AA   | 11C-24        | 11-18712-AA   | 12-6          | 11-33460-BB   | 5B-18         |
| 82835241      | 13-2          | 11-11510-AA   | 11-14         | 11-18713-AA   | 12-6          | 11-33520-AB   | 5B-16         |
| 82835242      | 13-2          | 11-12062-AA   | 12-8          | 11-19213-AA   | 12-4          | 11-33527-AA   | 5B-18         |
| 82835247      | 2-8           | 11-12109-AA   | 11-12         | 11-19701-AA   | 12-2          | 11-33528-AA   | 5B-18         |
| 82835249      | 8-6           | 11-12109-AA   | 2-8           | 11-20019-AA   | 10-12         | 11-33529-AB   | 5B-16         |

**35/45/60 FARMTRAC PART NUMBERS W/CORRESPONDING PAGE NUMBER**

| <b>PART #</b> | <b>PAGE #</b> | <b>PART #</b> | <b>PAGE #</b> | <b>PART #</b> | <b>PAGE #</b> | <b>PART #</b> | <b>PAGE #</b> |
|---------------|---------------|---------------|---------------|---------------|---------------|---------------|---------------|
| 11-33532-AA   | 5B-16         | 11-68369-AA   | 2-8           | 11-98126-AA   | 13-4          | 12-33410-BA   | 5B-16         |
| 11-33532-AA   | 5B-16         | 11-68578-AA   | 1A-10         | 11-98127-AA   | 13-4          | 12-33420-AA   | 5B-16         |
| 11-33535-AA   | 5B-16         | 11-74109-AA   | 7-6           | 11-98128-AA   | 13-2          | 12-33514-AA   | 5B-16         |
| 11-33535-BA   | 5B-16         | 11-75010-AA   | 6-4           | 11-98130-AE   | 13-4          | 12-33520-AA   | 5B-16         |
| 11-33537-AA   | 5B-18         | 11-75550-AB   | 6-2           | 11-T7000-AA   | 12-12         | 12-33529-AA   | 5B-16         |
| 11-33538-AA   | 5B-18         | 11-78292-AA   | 13-2          | 12-00663-AA   | 10-16         | 12-33532-AA   | 5B-16         |
| 11-33540-AB   | 5B-14         | 11-78300-BB   | 13-2          | 12-04450-BA   | 12-18         | 12-33546-AA   | 5B-16         |
| 11-33540-BD   | 5B-14         | 11-78349-AB   | 13-2          | 12-06576-AA   | 10-26         | 12-45135-AA   | 8-4           |
| 11-33542-AA   | 5B-14         | 11-78478-AA   | 13-4          | 12-10107-AA   | 11-10         | 12-55550-BA   | 10-28         |
| 11-33546-AA   | 5B-18         | 11-80010-AA   | 4B-4          | 12-10116-AA   | 11-10         | 12-55560-BA   | 10-28         |
| 11-33546-AB   | 5B18          | 11-89030-AA   | 3A-2          | 12-10118-AA   | 11-10         | 12-61035-AA   | 3B-4          |
| 11-33565-AA   | 5B-16         | 11-89030-AA   | 3B-2          | 12-10160-AA   | 11-10         | 12-69750-AA   | 4B-4          |
| 11-33566-AA   | 5A-8          | 11-89280-AA   | 3B-2          | 12-10376-BA   | 11-6          | 12-78589-AA   | 13-4          |
| 11-33566-AA   | 5B-16         | 11-90105-AA   | 2-4           | 12-11120-AA   | 11A-20        | 12-78888-AA   | 13-4          |
| 11-33585-AA   | 5B-16         | 11-90107-AA   | 2-4           | 12-11130-AA   | 11A-20        | 12-80100-AA   | 4B-4          |
| 11-33589-AA   | 5B-16         | 11-90109-AA   | 2-4           | 12-11130-CB   | 11A-20        | 12-89145-AA   | 11-12         |
| 11-33590-BA   | 5B-16         | 11-90420-AA   | 2-4           | 12-11130-CB   | 11C-24        | 12-89280-AA   | 3B-2          |
| 113575-S36    | 10-14         | 11-90540-AA   | 2-4           | 12-11140-AB   | 11A-20        | 12-90380-AA   | 2-4           |
| 11-40010-AB   | 8-8           | 11-90563-AA   | 3B-2          | 12-11140-CA   | 11A-20        | 12-90515-AA   | 2-4           |
| 11-40020-AB   | 8-8           | 11-90575-AA   | 2-4           | 12-11150-AA   | 11A-20        | 12-90522-AA   | 2-4           |
| 11-40703-AA   | 8-6           | 11-90640-BB   | 2-4           | 12-12370-AA   | 11-12         | 12-90620-AA   | 2-2           |
| 11-40747-AA   | 7-4           | 11-90770-AA   | 2-4           | 12-12380-BA   | 11-12         | 12-90680-AB   | 2-2           |
| 11-40747-AA   | 8-2           | 11-91720-AA   | 3B-20         | 11-12800-AA   | 11A-20        | 12-90680-AB   | 2-4           |
| 11-41069-AA   | 8-8           | 11-93310-AA   | 11-8          | 12-13048-AB   | 11-18         | 12-97126-CA   | 14-2          |
| 11-42220-AA   | 8-4           | 11-93333-AA   | 11-6          | 12-13110-AA   | 11B-22        | 12-98130-AE   | 13-4          |
| 115422-ES     | 7-8           | 11-93334-BA   | 11-6          | 12-13110-AC   | 11A-20        | 13-05111-AA   | 10-16         |
| 11-55550-BA   | 10-28         | 11-94214-AA   | 12-2          | 12-13110-BA   | 11A-20        | 13-05153-AA   | 10-16         |
| 11-55560-BA   | 10-28         | 11-94236-AA   | 11-16         | 12-13180-AA   | 11B-22        | 13-05190-AC   | 10-16         |
| 11-55563-AA   | 8-10          | 11-96110-AA   | 10-24         | 12-13180-AA   | 11A-20        | 13-05535-AC   | 10-16         |
| 11-57520-AD   | 10-26         | 11-96120-AA   | 10-24         | 12-13180-BA   | 11A-20        | 13-11120-AA   | 11B-22        |
| 11-57526-AA   | 10-26         | 11-96130-AA   | 10-24         | 12-13190-AA   | 11A-20        | 13-11120-AA   | 11C-24        |
| 11-57527-AC   | 10-26         | 11-96140-AA   | 10-24         | 12-13190-BA   | 11A-20        | 13-11150-AA   | 11B-22        |
| 11-57548-AB   | 10-28         | 11-96380-AA   | 10-22         | 12-13440-AA   | 11B-22        | 13-11150-AA   | 11C-24        |
| 11-57595-AB   | 10-28         | 11-96390-AA   | 10-24         | 12-13460-AA   | 11A-20        | 13-12350-AA   | 11-14         |
| 11-60461-AB   | 2-8           | 11-96410-AA   | 10-22         | 12-13460-BB   | 11A-20        | 13-13110-AA   | 11C-24        |
| 11-60462-AA   | 2-8           | 11-96410-AA   | 10-24         | 12-16312-AA   | 12-14         | 13-13180-AA   | 11C-24        |
| 11-60462-AA   | 2-6           | 11-96420-AA   | 10-24         | 12-16321-AA   | 12-16         | 13-13190-AA   | 11B-22        |
| 11-60463-AB   | 2-8           | 11-96532-AA   | 10-12         | 12-16328-AA   | 12-14         | 13-13331-AA   | 11-18         |
| 11-60463-AB   | 2-6           | 11-96532-AA   | 10-12         | 12-16346-AB   | 12-14         | 13-13420-AA   | 11-18         |
| 11-60560-AA   | 3B-4          | 11-96579-AA   | 10-22         | 12-16347-AB   | 12-14         | 13-13428-AB   | 11-14         |
| 11-60660-AB   | 2-8           | 11-96579-AA   | 10-24         | 12-16501-AA   | 12-14         | 13-13460-AA   | 11C-24        |
| 11-61021-AA   | 1A-4          | 11-96579-BA   | 10-24         | 12-16505-AB   | 12-14         | 13-33240-AA   | 5B-16         |
| 11-61035-AA   | 3B4           | 11-96579-CA   | 10-24         | 12-16508-AA   | 12-14         | 13-33430-AA   | 5B-16         |
| 11-61035-AA   | 8-6           | 11-96590-AA   | 10-24         | 12-19200-AA   | 12-4          | 13-33450-AA   | 5B-16         |
| 11-61059-AA   | 1A-4          | 11-97028-AA   | 14-2          | 12-30150-AA   | 5A-4          | 13-33562-AA   | 5B-16         |
| 11-61306-AA   | 1A-8          | 11-97805-AA   | 14-2          | 12-30150-AA   | 5B-14         | 13-33585-AA   | 5B-16         |
| 11-64591-AA   | 3B-2          | 11-97809-AA   | 14-2          | 12-30160-AA   | 5A-6          | 13-64150-AA   | 3B-2          |
| 11-65057-AA   | 1A-2          | 11-98123-AA   | 13-2          | 12-30160-AA   | 5B-14         | 13-64150-AA   | 3B18          |
| 11-65087-AA   | 1A-2          | 11-98124-AA   | 13-4          | 12-33240-AA   | 5B-16         | 13-64555-AA   | 3B-2          |
| 11-66628-AA   | 1A-16         | 11-98125-AA   | 13-4          | 12-33400-BA   | 5B-16         | 13-64556-AA   | 3B2           |



**35/45/60 FARMTRAC PART NUMBERS W/CORRESPONDING PAGE NUMBER**

| <b>PART #</b> | <b>PAGE #</b> | <b>PART #</b> | <b>PAGE #</b> | <b>PART #</b> | <b>PAGE #</b> | <b>PART #</b> | <b>PAGE #</b> |
|---------------|---------------|---------------|---------------|---------------|---------------|---------------|---------------|
| 13-64557-AA   | 3B-2          | 22-16520-AA   | 12-6          | 22-70113-AB   | 7-6           | 25-13012-AA   | 11-18         |
| 13-64590-AA   | 3B14          | 22-16600-AA   | 12-8          | 22-78294-AA   | 13-2          | 25-13100-AA   | 11-4          |
| 13-64590-AA   | 3B-2          | 22-16625-AA   | 12-6          | 22-80050-CA   | 4A-4          | 25-13360-BA   | 11-14         |
| 13-75500-AB   | 6-2           | 22-30042-AA   | 5A-4          | 22-80091-AA   | 4A-4          | 25-18250-BA   | 12-2          |
| 13-75590-AB   | 6-2           | 22-30042-AA   | 5A-4          | 22-80092-AA   | 4A-4          | 25-18251-AA   | 12-2          |
| 14-11120-AA   | 11C-24        | 22-30054-AB   | 5A-4          | 22-80093-AA   | 4A-4          | 25-30150-AA   | 5B-12         |
| 14-11130-AA   | 11C-24        | 22-30055-AA   | 5A-4          | 22-80094-AA   | 12-2          | 25-30160-AA   | 5B-12         |
| 14-11140-AA   | 11C-24        | 22-30056-AA   | 1B-2          | 22-80094-AA   | 4A-4          | 25-33281-AA   | 5B-14         |
| 14-11150-AA   | 11C-24        | 22-30056-AA   | 5A-4          | 22-80096-AA   | 4A-4          | 25-33560-AA   | 10-16         |
| 14-13190-AA   | 11C24         | 22-30057-AA   | 1B-2          | 22-80100-AA   | 4A-4          | 25-33586-AA   | 5B-16         |
| 14-13460-AA   | 11B-22        | 22-30057-AA   | 5A-4          | 22-80111-AA   | 4A4           | 25-96390-AB   | 10-24         |
| 14-16301-BA   | 12-8          | 22-31300-AA   | 5A-4          | 22-80115-AA   | 4A-4          | 25-96390-BA   | 10-24         |
| 14-64590-AA   | 3B-14         | 22-31310-AA   | 5A-4          | 22-80116-AA   | 4A-4          | 25-96391-AA   | 10-24         |
| 14-64590-AA   | 3B-2          | 22-50430-AA   | 2-6           | 22-80117-AA   | 4A-4          | 25-96392-AA   | 10-24         |
| 15-60070-AA   | 1A-4          | 22-50448-AA   | 2-6           | 22-80118-AA   | 4A-4          | 26-60070-AA   | 1A-4          |
| 15-60080-AA   | 1A-4          | 22-50449-AA   | 2-6           | 22-80150-AA   | 4A-4          | 26-60080-AA   | 1A-4          |
| 15-64540-AA   | 3B-2          | 22-60438-AA   | 1B-22         | 22-80260-BA   | 4A4           | 26-64540-AA   | 3B-2          |
| 15-64560-AA   | 3B-2          | 22-60439-AB   | 1B-22         | 22-80286-CB   | 4A4           | 27-13130-AA   | 11D26         |
| 16-13300-AA   | 11B-22        | 22-60441-AA   | 1B-22         | 22-80287-AA   | 4A4           | 27-13130-BA   | 11D26         |
| 18-13030-AA   | 11-14         | 22-60451-AA   | 4A6           | 22-80288-AA   | 4A-4          | 27-13140-AA   | 11D-26        |
| 18-13031-AA   | 11-14         | 22-60452-AA   | 4A-6          | 22-80290-AA   | 4A-4          | 27-13140-BA   | 11D-26        |
| 18-13032-AA   | 11-14         | 22-60453-AA   | 4A-6          | 22-80600-BA   | 4A-2          | 27-13160-AB   | 11D-26        |
| 18-13033-AA   | 11-14         | 22-60454-AA   | 4A-6          | 22-89280-AA   | 3A-2          | 27-13170-AA   | 11D-26        |
| 20-13110-AA   | 11D-26        | 22-60456-AA   | 4A-6          | 22-89281-AB   | 3A-2          | 27-13180-AA   | 11D-26        |
| 20-13110-BA   | 11D-26        | 22-60457-AA   | 4A-6          | 22-89290-AA   | 3A-4          | 27-13180-AA   | 11D-26        |
| 20-13200-AA   | 11D-26        | 22-60461-AA   | 2-6           | 22-90337-BA   | 3A-4          | 27-13190-AA   | 11D-26        |
| 22-05530-AB   | 10-16         | 22-60461-AA   | 3A4           | 22-90540-AA   | 2-4           | 27-13200-AB   | 11D-26        |
| 22-05540-AB   | 10-16         | 22-60463-AA   | 4A-6          | 22-90542-AA   | 2-4           | 2N-608        | 10-26         |
| 22-05550-AA   | 10-16         | 22-61101-AA   | 1B-6          | 22-91760-AA   | 3B-20         | 2N-608        | 10-26         |
| 22-06477-BA   | 10-16         | 22-61150-AA   | 3A-6          | 22-91779-AA   | 3B-20         | 2N-608        | 8-11          |
| 22-06561-AA   | 10-16         | 22-61151-AA   | 3A-6          | 22-93235-AA   | 11-6          | 300866-S36    | 1A-4          |
| 22-06562-AA   | 10-16         | 22-61152-AA   | 3A-6          | 22-93333-AA   | 11-6          | 300880-S36    | 10-16         |
| 22-06563-AA   | 10-16         | 22-61153-AA   | 3A-6          | 22-93334-AA   | 11-6          | 30-16391-AA   | 14-2          |
| 22-06911-AA   | 10-16         | 22-61154-AA   | 3A-6          | 22-98130-AA   | 13-4          | 30-16410-CA   | 12-8          |
| 22-10301-AA   | 4A-2          | 22-61155-AA   | 3A-6          | 22-98284-AA   | 13-2          | 302549-S36    | 11-6          |
| 22-10302-AA   | 11-6          | 22-61156-AA   | 3A-6          | 22-98285-AA   | 13-2          | 302549-S36    | 4B-2          |
| 22-10303-AA   | 11-6          | 22-61157-AA   | 3A-6          | 22-98298-AA   | 13-2          | 302610-S36    | 12-16         |
| 22-10304-AA   | 11-6          | 22-61158-AA   | 3A-6          | 23017-S2      | 11-10         | 304622-S36    | 7-4           |
| 22-10305-AA   | 11-6          | 22-61159-AA   | 3A-6          | 23380-S36     | 12-14         | 304631-S36    | 10-14         |
| 22-12280-AB   | 10-16         | 22-61160-AA   | 3A-6          | 23470-S36     | 12-14         | 304632-S36    | 12-8          |
| 22-12380-AA   | 11-12         | 22-61161-AA   | 3A-6          | 23607-S36     | 4B4           | 304633-S36    | 12-12         |
| 22-12831-BA   | 11-12         | 22-61163-AA   | 3A-6          | 24-40210-009  | 3B-16         | 304633-S36    | 12-14         |
| 22-13100-CA   | 11-4          | 22-61166-AA   | 3A-2          | 25-01010-AA   | 5-2           | 304633-S36    | 12-6          |
| 22-13101-AA   | 11-4          | 22-61166-AA   | 3A-6          | 25-04100-BB   | 12-18         | 304633-S36    | 3B-22         |
| 22-13101-AA   | 1B-22         | 22-61167-AA   | 3A-2          | 25-05105-AC   | 10-16         | 304634-S36    | 12-14         |
| 22-13102-AA   | 11-4          | 22-61167-AA   | 3A-6          | 25-05107-AA   | 10-16         | 304634-S36    | 1A-10         |
| 22-13201-AB   | 11D-26        | 22-61180-AA   | 3A-6          | 25-12062-AA   | 12-8          | 304634-S38    | 12-12         |
| 22-13230-AA   | 11D-26        | 22-61270-AA   | 3A-6          | 25-13009-AA   | 11-18         | 304648-S36    | 1A-10         |
| 22-16100-AA   | 11-10         | 22-61573-AA   | 3A-6          | 25-13010-BA   | 11-18         | 304648-S36    | 1A-2          |
| 22-16100-AA   | 12-2          | 22-70015-AA   | 7-6           | 25-13011-AA   | 11-18         | 304648-S36    | 5B-18         |

**35/45/60 FARMTRAC PART NUMBERS W/CORRESPONDING PAGE NUMBER**

| <b>PART #</b> | <b>PAGE #</b> | <b>PART #</b> | <b>PAGE #</b> | <b>PART #</b> | <b>PAGE #</b> | <b>PART #</b> | <b>PAGE #</b> |
|---------------|---------------|---------------|---------------|---------------|---------------|---------------|---------------|
| 304649-S36    | 2-2           | 304724-S36    | 6-4           | 33799-S36     | 12-14         | 34806-S36     | 4A-2          |
| 304650-S36    | 12-10         | 304724-S36    | 7-4           | 33799-S36     | 11-14         | 34806-S36     | 4B-2          |
| 304650-S36    | 12-2          | 304724-S36    | 8-8           | 33799-S6      | 10-8          | 34806-S36     | 4B-2          |
| 304650-S36    | 1A-2          | 304728-S36    | 8-4           | 33845-S36     | 8-2           | 34806-S36     | 4B-4          |
| 304650-S36    | 2-4           | 304743-S36    | 9-6           | 33845-S36     | 9-2           | 34806-S36     | 5A-4          |
| 304650-S36    | 2-8           | 304758-S36    | 3B-2          | 33845-S8      | 12-12         | 34806-S36     | 6-2           |
| 304650-S36    | 9-2           | 304758-S36    | 4B-2          | 33846-S36     | 12-16         | 34806-S36     | 9-2           |
| 304652-S36    | 10-24         | 304760-S36    | 10-18         | 33846-S36     | 12-16         | 34807-S36     | 10-16         |
| 304652-S36    | 11-10         | 304760-S36    | 1A-4          | 33847-S36     | 8-2           | 34807-S36     | 10-18         |
| 304652-S36    | 12-2          | 304760-S36    | 2-8           | 33849-S36     | 14-2          | 34807-S36     | 10-20         |
| 304664-S36    | 9-2           | 304768-S36    | 14-2          | 33849-S36     | 14-5          | 34807-S36     | 10-20         |
| 304665-S36    | 12-10         | 304777-S36    | 10-2          | 33849-S36     | 5A-6          | 34807-S36     | 10-22         |
| 304665-S36    | 12-2          | 304777-S36    | 10-22         | 33849-S36     | 5B-12         | 34807-S36     | 11-14         |
| 304665-S36    | 12-8          | 304807-S36    | 1A-8          | 33849-S36     | 7-4           | 34807-S36     | 11-4          |
| 304666-S36    | 12-10         | 304862-S36    | 5A-4          | 33850-S36     | 12-16         | 34807-S36     | 12-10         |
| 304666-S36    | 1A-16         | 304862-S36    | 5B-12         | 33924-S36     | 8-10          | 34807-S36     | 12-14         |
| 304666-S36    | 3B-4          | 304883-S36    | 7-4           | 33925-S36     | 6-4           | 34807-S36     | 1A-2          |
| 304668-S36    | 10-12         | 304890-S36    | 9-4           | 33925-S36     | 7-2           | 34807-S36     | 1B-22         |
| 304668-S36    | 8-2           | 304912-S36    | 7-4           | 33925-S36     | 8-10          | 34807-S36     | 2-8           |
| 304668-S36    | 8-2           | 304933-S36    | 14-5          | 33925-S36     | 9-6           | 34807-S36     | 7-2           |
| 304682-S36    | 11-14         | 304944-S36    | 14-2          | 33987-S36     | 10-28         | 34807-S36     | 8-8           |
| 304682-S36    | 1A-2          | 304946-S36    | 14-4          | 340304-S36    | 14-5          | 34807-S8      | 10-24         |
| 304682-S36    | 3A4           | 304955-S36    | 7-4           | 34053-S36     | 11-14         | 34808-S2      | 10-28         |
| 304682-S36    | 3B-2          | 304962-S36    | 5A-6          | 34422-S36     | 10-4          | 34808-S36     | 11-10         |
| 304684-S36    | 10-20         | 304962-S36    | 5B-12         | 34464-S36     | 10-4          | 34808-S36     | 12-10         |
| 304684-S36    | 10-22         | 304964-S36    | 5B-12         | 34670-S36     | 5A-4          | 34808-S36     | 1A-10         |
| 304684-S36    | 10-24         | 305023-S      | 9-6           | 34670-S36     | 5B-12         | 34808-S36     | 1A-12         |
| 304684-S36    | 1A-16         | 305052-S2     | 10-6          | 34670-S36     | 9-2           | 34808-S36     | 4B-2          |
| 304684-S36    | 7-2           | 305061-S2     | 3B-22         | 34674-S36     | 5B-12         | 34808-S36     | 6-4           |
| 304684-S36    | 8-10          | 305076-S36    | 10-14         | 34690-S       | 10-18         | 34808-S36     | 8-6           |
| 304684-S36    | 8-8           | 305080-S2     | 8-6           | 34694-S36     | 5A-8          | 34809-S36     | 12-16         |
| 304685-S36    | 4B-2          | 305086-S2     | 3B-22         | 34791-S36     | 11-6          | 34809-S36     | 12-16         |
| 304686-S36    | 10-12         | 31037-S36     | 3B-20         | 34791-S36     | 5B-18         | 34809-S36     | 3A6           |
| 304686-S36    | 10-24         | 33796-S36     | 11-10         | 34792-S36     | 10-4          | 34809-S36     | 5A-8          |
| 304686-S36    | 10-4          | 33796-S36     | 12-12         | 34792-S36     | 10-8          | 34809-S36     | 5A-8          |
| 304686-S36    | 8-6           | 33796-S36     | 12-14         | 34792-S36     | 1A-16         | 34809-S36     | 3B-4          |
| 304686-S36    | 9-6           | 33796-S36     | 12-6          | 34792-S36     | 2-8           | 34809-S36     | 5B-16         |
| 304689-S36    | 10-6          | 33796-S36     | 3B-20         | 34793-S36     | 10-2          | 34810-S36     | 8-4           |
| 304701-S36    | 4B-4          | 33796-S36     | 3B-22         | 34793-S36     | 11-6          | 34811-S36     | 14-5          |
| 304720-S36    | 11-8          | 33797-S2      | 11-10         | 34793-S36     | 7-4           | 34814-S36     | 5A-8          |
| 304722-S36    | 10-4          | 33797-S36     | 11-6          | 34803-S36     | 11-14         | 34903-S36     | 11-14         |
| 304722-S36    | 11-4          | 33797-S36     | 11-8          | 34803-S36     | 3B-20         | 349304-S      | 7-4           |
| 304722-S36    | 12-10         | 33797-S36     | 12-8          | 34805-S36     | 1A-16         | 34941-S36     | 11-14         |
| 304722-S36    | 1A-16         | 33797-S36     | 1A-6          | 34806-S36     | 12-10         | 34941-S36     | 12-12         |
| 304722-S36    | 1B-22         | 33797-S36     | 11-14         | 34806-S36     | 12-12         | 34941-S36     | 12-14         |
| 304722-S36    | 2-8           | 33798-S36     | 12-10         | 34806-S36     | 12-16         | 34941-S36     | 3A-4          |
| 304724-S36    | 9-6           | 33798-S36     | 12-2          | 34806-S36     | 1A-10         | 34941-S36     | 3B-2          |
| 304724-S36    | 12-10         | 33798-S36     | 12-6          | 34806-S36     | 1A-10         | 34942-S36     | 12-2          |
| 304724-S36    | 12-18         | 33798-S36     | 3A-2          | 34806-S36     | 1A-2          | 34978-S36     | 4B-4          |
| 304724-S36    | 1A-10         | 33798-S36     | 3B2           | 34806-S36     | 2-2           | 34987-S7      | 6-4           |
| 304724-S36    | 1A-12         | 33798-S36     | 3B-22         | 34806-S36     | 3B-2          | 351090-S36    | 10-28         |



#### 35/45/60 FARMTRAC PART NUMBERS W/CORRESPONDING PAGE NUMBER

| PART #      | PAGE # | PART #     | PAGE # | PART #        | PAGE # | PART #        | PAGE # |
|-------------|--------|------------|--------|---------------|--------|---------------|--------|
| 351666-S    | 10-2   | 387930-S36 | 5-2    | 45258-S2      | 11-6   | 58663-S36     | 10-24  |
| 352321-S36  | 3B-20  | 388769-S   | 11-10  | 45964-S36     | 1A-4   | 58663-S36     | 10-4   |
| 353374-S36  | 10-18  | 389873-S2  | 10-8   | 46007-S36     | 7-6    | 58676-S36     | 8-2    |
| 353810-S36  | 10-14  | 390488-S36 | 1A-2   | 46007-S36     | 7-8    | 58677-S36     | 8-2    |
| 354235-S36  | 9-6    | 390625-S36 | 1A-2   | 46008-S36     | 2-8    | 58678-S36     | 8-2    |
| 355431-S36  | 7-2    | 390627-S   | 1A-2   | 46009-S36     | 7-6    | 58679-S36     | 8-2    |
| 356420-S36  | 11-14  | 390629-S36 | 1A-2   | 46009-S36     | 7-8    | 58701-S36     | 8-2    |
| 356420-S36  | 12-18  | 42.011.050 | 1B-2   | 5.16.14.0a    | 1B-22  | 58719-S36     | 7-4    |
| 357622-S36  | 4B-4   | 42974-S36  | 3B-4   | 5.28.04.0     | 1B-12  | 58726-S36     | 7-4    |
| 359264-S36  | 10-28  | 42997-S36  | 11-6   | 5.28.04.0     | 1B-16  | 59699-S36     | 8-2    |
| 370664-S    | 1A-14  | 43104-S36  | 8-4    | 50.00012.0    | 3A-2   | 60466-S       | 10-26  |
| 370924-S    | 7-2    | 43164-S2   | 1A-8   | 50.00022.0f   | 1B-22  | 63757-S36     | 12-6   |
| 370924-S    | 7-4    | 43191-S2   | 1A-12  | 50.00023.0a   | 1B-2   | 71NH-10769-A  | 11-10  |
| 370924-S    | 8-6    | 44710-S36  | 4B-4   | 50.00025.0    | 1B-2   | 71NH-16N600-A | 12-8   |
| 371433-S36  | 10-2   | 44719-S36  | 11-10  | 50.00026.0    | 1B-2   | 71NH-3N295-A  | 5A-4   |
| 371433-S36  | 10-22  | 44719-S36  | 12-12  | 50.00121.2b   | 1B-6   | 71NH-4N103-A  | 8-10   |
| 373573-S36  | 10-14  | 44719-S36  | 12-14  | 50.00211.0    | 1B-16  | 71NH-4N105-A  | 8-10   |
| 375057-S    | 2-2    | 44719-S36  | 12-6   | 50.00429.0    | 3A-2   | 71NH-568-A    | 10-26  |
| 376099-S    | 1A-10  | 44719-S36  | 12-8   | 50.00558.0a   | 1B-22  | 71NH-6590-A   | 1A-10  |
| 376415-S36  | 11-8   | 44719-S36  | 3B-20  | 50.02116.0    | 1B-18  | 71NH-8260-A   | 4B-4   |
| 376415-S36  | 8-4    | 44719-S36  | 3B-22  | 50.10052.0    | 2-6    | 71NH-9792-A   | 3B-20  |
| 376421-S7   | 8-4    | 44722-S36  | 11-10  | 50.10053.0    | 1B-18  | 71NH-9A638-A  | 2-2    |
| 377184-S36  | 10-28  | 44722-S36  | 11-14  | 50.10134.0    | 1B-2   | 71NH-9N035-A  | 3A-4   |
| 377360-S36  | 11-18  | 44722-S36  | 12-10  | 50.10161.0a   | 1B-22  | 71NH-9N035-A  | 3B-2   |
| 377360-S36  | 3B-20  | 44722-S36  | 12-2   | 50.10256.0a   | 1B-12  | 72003-S8      | 7-2    |
| 377485-S100 | 3B-2   | 44722-S36  | 12-6   | 50.10306.0    | 1B-18  | 72003-S8      | 8-6    |
| 377490-S    | 5B-12  | 44722-S36  | 12-8   | 50.10310.0    | 1B-18  | 72003-S8      | 9-6    |
| 377490-S36  | 9-2    | 44722-S36  | 2-2    | 50.10466.0    | 3A-2   | 72005-S8      | 10-6   |
| 377490-S76  | 5A-6   | 44722-S36  | 3A-2   | 50528-S36     | 12-6   | 72017-S8      | 10-6   |
| 378310-S36  | 1A-16  | 44722-S36  | 3B-2   | 508E-4230-A   | 8-4    | 72017-S8      | 6-4    |
| 378336-S36  | 1A-2   | 44723-S36  | 11-8   | 508E-7064-A   | 7-6    | 72017-S8      | 8-10   |
| 378881-S    | 2-8    | 44724-S36  | 11-10  | 54.21.06.28   | 1B-14  | 72017-S8      | 9-6    |
| 379276-S36  | 10-6   | 44726-S36  | 11-18  | 54.21.06.28   | 1B-16  | 72026-S8      | 10-28  |
| 379304-S    | 7-8    | 44726-S36  | 12-10  | 54.21.10.29a  | 1B-6   | 72035-S8      | 10-26  |
| 379409-S36  | 10-2   | 44726-S36  | 1A-16  | 54.21.10.29a  | 2-6    | 72035-S8      | 5B-14  |
| 379409-S36  | 10-22  | 44726-S36  | 2-8    | 54.26.01.03   | 3A-2   | 72053-S36     | 10-28  |
| 379414-S36  | 10-4   | 44726-S36  | 3B-22  | 54.27.01.042a | 1B-18  | 72054-S8      | 5-2    |
| 379548-S    | 1A-2   | 44726-S36  | 3B-4   | 54.28.01.16   | 1B-18  | 72054-S8      | 11-10  |
| 379586-S36  | 3B-20  | 44726-S36  | 9-2    | 54.51.02.01/F | 1B-22  | 72055-S8      | 10-26  |
| 379678-S    | 7-4    | 44728-S36  | 10-20  | 54.61.05.02   | 1B-14  | 72055-S8      | 7-4    |
| 380201-S36  | 3B-4   | 44728-S36  | 12-14  | 54042-S36     | 3B-20  | 72090-S8      | 5-2    |
| 380793-S36  | 10-28  | 44728-S36  | 12-2   | 54049-S36     | 11-14  | 72NH-10052-A  | 11-4   |
| 381707-S8   | 10-22  | 44728-S36  | 3B-20  | 54351-S36     | 11-14  | 72NH-11055-A  | 11-4   |
| 381714-S36  | 10-2   | 44730-S36  | 10-14  | 55670-S71     | 12-6   | 72NH-11059-A  | 11-4   |
| 382015-S    | 1A-12  | 44730-S36  | 12-2   | 56009-S36     | 11-6   | 72NH-11082-A  | 11-4   |
| 382675-S    | 1A-8   | 44736-S8   | 12-12  | 56301-S2      | 10-4   | 72NH-11135-A  | 11-4   |
| 38308-S8    | 10-12  | 44736-S8   | 12-16  | 58639-S36     | 1A-4   | 72NH-11448-A  | 11-4   |
| 383705-S36  | 11-10  | 44742-S36  | 10-28  | 58655-S36     | 10-4   | 72NH-6B306-A  | 1A-8   |
| 383904-S36  | 10-26  | 44746-S36  | 8-10   | 58655-S36     | 9-6    | 72NH-9165-A   | 3B-18  |
| 385456-S    | 1A-2   | 44811-S36  | 14-2   | 58657-S36     | 10-4   | 72NH-9176-A   | 3B-18  |
| 385894-S36  | 10-18  | 44881-S36  | 8-10   | 58662-S36     | 10-4   | 72NH-9176-B   | 3B-18  |



### 35/45/60 FARMTRAC PART NUMBERS W/CORRESPONDING PAGE NUMBER

| PART #        | PAGE # | PART #         | PAGE # | PART #         | PAGE # | PART #        | PAGE # |
|---------------|--------|----------------|--------|----------------|--------|---------------|--------|
| 72NH-9B273-A  | 3B-2   | 74127-S        | 10-26  | 79NH-A728-AA   | 8-6    | 82NH-6E087-AA | 1A-4   |
| 72NH-9D325-A  | 3B-18  | 74142-S        | 10-6   | 8.07.10.0      | 3A-2   | 82NH-8100-AA  | 4B-4   |
| 72NH-9D510-A  | 3B-8   | 74178-S        | 1A-12  | 8.11.29.0      | 1B-18  | 82NH-9A663-AA | 2-4    |
| 72NH-9E529-A  | 3B-14  | 74181-S        | 9-6    | 8.14.908.0     | 4A-2   | 82NH-9A664-AA | 2-4    |
| 72NH-9E529-A  | 3B-2   | 74181-S        | 5A-6   | 8.16.07.0      | 1B-22  | 82NH-9B640-AA | 2-2    |
| 72NH-9F278-A  | 3B-18  | 74181-S        | 5B-12  | 8.18.02.0/1    | 1B-22  | 82NH-9B642-A  | 2-2    |
| 72NH-9G547-A  | 3B-14  | 74188-S        | 9-2    | 80NH-15330-A   | 11-18  | 82NH-9N623-AA | 2-2    |
| 73269-S       | 5-2    | 74NH-1007-B    | 5-2    | 80NH-17N268-AA | 11-12  | 82NH-9N943-AA | 2-2    |
| 73329-S       | 1A-2   | 74NH-1050-AA   | 8-12   | 80NH-17N271-AA | 11-12  | 82NH-N885-AA  | 10-20  |
| 73871-S36     | 8-10   | 74NH-13R312-A  | 11-18  | 80NH-3517-AA   | 5A-8   | 82NH-N885-BA  | 10-20  |
| 73919-S36     | 6-4    | 74NH-16N551-AA | 12-8   | 80NH-3552-AA   | 5A-8   | 83NH-1139-AA  | 5-2    |
| 73919-S36     | 9-6    | 74NH-2N461-A   | 8-10   | 80NH-3581-AA   | 5A-10  | 83NH-545-AA   | 10-6   |
| 73NH-1045-A   | 14-5   | 74NH-3E616-A   | 12-8   | 80NH-3593-AA   | 5A-8   | 83NH-6518-AA  | 1A-10  |
| 73NH-10N004-A | 11-8   | 74NH-6438-A    | 1A-2   | 80NH-3595-AA   | 5A-8   | 83NH-B835-AA  | 10-20  |
| 73NH-10N005-A | 11-6   | 74NH-6828-A    | 10-16  | 80NH-3595-BA   | 5A-8   | 84NH-3N529-AA | 10-18  |
| 73NH-14277-A  | 11-10  | 74NH-7201-A    | 7-4    | 80NH-3595-CA   | 5A8    | 84NH-477-AA   | 10-10  |
| 73NH-14301-A  | 11A-20 | 74NH-8287-A    | 4B-4   | 80NH-3647-AA   | 5A-8   | 84NH-477-AA   | 10-8   |
| 73NH-14301-A  | 11B-22 | 74NH-9N101-A   | 3B-4   | 80NH-3647-BA   | 5A-8   | 84NH-600-AA   | 10-20  |
| 73NH-14301-A  | 11C-24 | 74NH-9N102-A   | 3B-4   | 80NH-3772-AA   | 5A-8   | 84NH-7D081-AA | 6-4    |
| 73NH-14301-A  | 11D-26 | 74NH-9N663-A   | 3A-2   | 80NH-3A710-AA  | 5A-8   | 84NH-9282-AA  | 3B-4   |
| 73NH-14N004-A | 11A-20 | 74NH-9N663-A   | 3B-18  | 80NH-3C615-AA  | 5A-8   | 84NH-9425-AB  | 2-8    |
| 73NH-14N004-A | 11B-22 | 74NH-9N663-A   | 3B-2   | 80NH-3N531-AA  | 5A-8   | 84NH-9C331-AA | 3B20   |
| 73NH-14N004-A | 11C-24 | 75NH-4292-A    | 8-4    | 80NH-3N883-AA  | 5A-8   | 84NH-D985-AA  | 10-10  |
| 73NH-14N004-A | 11D-26 | 75NH-9E527-A   | 3B-14  | 80NH-3N942-AA  | 5A-10  | 85NH-5230-AC  | 2-8    |
| 73NH-14N330-A | 11A-20 | 76023-S36      | 3B-22  | 80NH-3N946-AA  | 5A-8   | 85NH-6375-AB  | 1A-8   |
| 73NH-14N330-A | 11B-22 | 76232-S36      | 8-10   | 80NH-3N947-AA  | 5A-8   | 85NH-7017-AB  | 7-6    |
| 73NH-14N330-A | 11C-24 | 76237-S36      | 7-2    | 80NH-3N950-AA  | 5A-10  | 85NH-7N036-AA | 7-8    |
| 73NH-14N330-A | 11D-26 | 76NH-11N076-A  | 11-4   | 80NH-3N951-AA  | 5A-8   | 85NH-7N300-AA | 7-6    |
| 73NH-17N279-A | 11-12  | 76NH-16N802-A  | 12-6   | 80NH-3N952-AA  | 5A8    | 85NH-9740-AA  | 3B-20  |
| 73NH-3R765-B  | 12-8   | 76NH-16N802-A  | 12-8   | 80NH-3N952-BA  | 5A-8   | 85NH-9779-AA  | 3B-20  |
| 73NH-3R766-A  | 12-8   | 76NH-16N803-A  | 12-6   | 80NH-3N952-CA  | 5A-10  | 85NH-9A337-AA | 3B-2   |
| 73NH-4N107-A  | 8-10   | 76NH-16N803-A  | 12-8   | 80NH-3N952-DA  | 5A-10  | 85NH-9A555-BA | 3B-4   |
| 73NH-6784-A   | 1A-2   | 76NH-1N012-AA  | 8-12   | 80NH-544-AA    | 10-6   | 85NH-9A556-BA | 3B-4   |
| 73NH-6A373-A  | 1A-2   | 76NH-7R502-A   | 6-4    | 80NH-6608-AA   | 1A-16  | 85NH-9A557-BA | 3B-4   |
| 73NH-6K632-A  | 1A-16  | 76NH-9350-A    | 3B-16  | 80NH-6W663-AA  | 1A-16  | 85NH-9A760-DA | 3B-20  |
| 73NH-9155-A   | 3B-18  | 77NH-2N547-A   | 9-6    | 80NH-9A335-AA  | 3B-4   | 85NH-9A791-AA | 3B-20  |
| 73NH-9155-A   | 3B-4   | 77NH-A906-A    | 10-4   | 81NH-4211-AA   | 8-4    | 85NH-9N656-AA | 3B-20  |
| 73NH-9F596-A  | 3B-2   | 78E-2477       | 9-4    | 81NH-4N020-AA  | 8-2    | 85NH-9N656-BA | 3B-20  |
| 73NH-9N279-A  | 3A-4   | 78NH-10N849-AA | 11-12  | 81NH-6828-A    | 1A-10  | 85NH-9N656-CA | 3B-20  |
| 73NH-9N279-A  | 3B-2   | 78NH-16N591-AA | 12-8   | 81NH-8N111-AA  | 4B-4   | 85NH-9N657-AA | 3B-20  |
| 73NH-9N279-AA | 10-12  | 78NH-4236-A    | 8-4    | 81NH-9613-AA   | 2-2    | 86196-S36     | 5B-16  |
| 73NH-9N646-A  | 3B-4   | 78NH-4A162-AA  | 8-4    | 81NH-9613-AA   | 2-4    | 86301-S36     | 10-18  |
| 73NH-9N647-A  | 3B-4   | 78NH-638-AA    | 10-16  | 81NH-9B226-AA  | 13-2   | 86301-S36     | 10-24  |
| 73NH-9N658-A  | 3B-20  | 78NH-638-AA    | 10-20  | 82NH-3548-AA   | 5A-8   | 86327-S36     | 10-16  |
| 73NH-9N661-A  | 3B-14  | 78NH-6N609-AA  | 1A-6   | 82NH-3C539-AA  | 5A-10  | 86327-S36     | 10-20  |
| 73NH-9N661-A  | 3B-2   | 78NH-7503-A    | 6-4    | 82NH-3N575-AA  | 5A-10  | 86483-S95     | 10-18  |
| 73NH-9N661-A  | 7-4    | 78NH-9D270-AA  | 3B-20  | 82NH-3N576-AA  | 5A-10  | 86483-S95     | 10-24  |
| 73NH-9N662-A  | 3B-2   | 79NH-2824-AA   | 9-6    | 82NH-3N948-AA  | 5A-10  | 86483-S95     | 5B-16  |
| 73NH-9N663-A  | 3B-14  | 79NH-6714-AA   | 1A-2   | 82NH-3N949-AA  | 5A-8   | 86486-S95     | 10-16  |
| 73NH-9N723-A  | 3B-20  | 79NH-6714-AA   | 1B-20  | 82NH-4N032-AA  | 10-2   | 86NH-2246-AB  | 9-2    |
| 74034-S36     | 10-6   | 79NH-7005-AB   | 7-4    | 82NH-6057-AA   | 1A-4   | 86NH-2247-AB  | 9-2    |

**35/45/60 FARMTRAC PART NUMBERS W/CORRESPONDING PAGE NUMBER**

| <b>PART #</b> | <b>PAGE #</b> | <b>PART #</b>  | <b>PAGE #</b> | <b>PART #</b>  | <b>PAGE #</b> | <b>PART #</b>  | <b>PAGE #</b> |
|---------------|---------------|----------------|---------------|----------------|---------------|----------------|---------------|
| 86NH-2N041-AA | 9-2           | 87651-S36      | 1A-2          | 89NH-669-AA    | 10-2          | 91NH-2N136-AA  | 9-2           |
| 86NH-2N135-AA | 9-2           | 87651-S36      | 7-4           | 89NH-6065-AA   | 1A-2          | 91NH-2N289-AA  | 9-6           |
| 86NH-2315-AA  | 9-4           | 87652-S36      | 1A-2          | 89NH-6065-BA   | 1A-10         | 91NH-390777-AA | 8-4           |
| 86NH-2463-AA  | 9-6           | 87657-S36      | 8-2           | 89NH-6549-AA   | 1A-10         | 91NH-3N303-AA  | 5A-4          |
| 86NH-2B002-AA | 9-2           | 87708-S36      | 10-10         | 89NH-N895-AA   | 10-2          | 91NH-3N303-BA  | 5A-4          |
| 86NH-4233-AD  | 8-8           | 87709-S36      | 7-4           | 8A-7065-A      | 8-6           | 91NH-4013-BA   | 8-8           |
| 86NH-4614-AA  | 8-4           | 87711-S36      | 10-22         | 90NH-16N477-AA | 12-10         | 91NH-4204-AA   | 8-4           |
| 86NH-4A242-AA | 8-4           | 87747-S36      | 7-4           | 90NH-2N124-AA  | 9-2           | 91NH-4220-AA   | 8-4           |
| 86NH-4N074-AA | 9-2           | 87747-S36      | 8-2           | 90NH-2N125-AA  | 9*2           | 91NH-4244-BA   | 8-8           |
| 86NH-4N109-AC | 9*2           | 87837-S36      | 10-14         | 90NH-310799-AA | 5A-4          | 91NH-4374-BA   | 9-2           |
| 86NH-9B273-AA | 3B-4          | 87838-S36      | 10-14         | 90NH-3123-AA   | 5A-6          | 91NH-4873-AA   | 9-2           |
| 86NH-9F593-AA | 3B-14         | 87838-S36      | 1A-2          | 90NH-3314-AA   | 5A-4          | 91NH-4969-AA   | 8-8           |
| 86NH-9F593-AA | 3B-4          | 87901-S36      | 5A-6          | 90NH-354228-AA | 5B-16         | 91NH-4N001-BA  | 9-2           |
| 86NH-9N575-AA | 3B-4          | 87901-S36      | 5-2           | 90NH-3600-AA   | 5A-8          | 91NH-595-AA    | 10-28         |
| 87006-S95     | 10-8          | 87901-S36      | 5B-12         | 90NH-3A443-AA  | 5A-4          | 91NH-6306-AA   | 1A-8          |
| 87007-S94     | 10-14         | 87907-S36      | 10-26         | 90NH-3C765-A   | 5A-8          | 91NH-6571-AA   | 1A-10         |
| 87010-ES      | 10-12         | 87907-S36      | 8-10          | 90NH-3C765-A   | 5A-8          | 91NH-6B306-AA  | 1A-8          |
| 87010-S94     | 10-22         | 87907-S36      | 9-6           | 90NH-3N052-AA  | 5A-4          | 91NH-7113-AA   | 7-6           |
| 87010-S95     | 10-10         | 87907-S8       | 6-4           | 90NH-3N052-BA  | 5A-4          | 91NH-7231-AA   | 7-4           |
| 87010-S95     | 10-2          | 87913-S8       | 9-2           | 90NH-3N227-AA  | 5A-4          | 91NH-7277-AA   | 7-2           |
| 87010-S95     | 10-24         | 87NH-11005-AA  | 11-4          | 90NH-3N766-AA  | 5A-6          | 91NH-7A488-AA  | 7-2           |
| 87010-S95     | 10-8          | 87NH-11350-AA  | 11-4          | 90NH-3N766-AA  | 5B-12         | 91NH-7N072-AA  | 7-8           |
| 87012-S95     | 10-10         | 87NH-11K134-AA | 11-4          | 90NH-4010-AA   | 8-8           | 91NH-8N096-AA  | 11-10         |
| 87012-S95     | 10-12         | 87NH-16N785-AA | 12-2          | 90NH-4229-AA   | 8-8           | 91NH-8N096-AA  | 12-2          |
| 87012-S95     | 10-2          | 87NH-16N900-AA | 12-2          | 90NH-4229-AB   | 8-8           | 91NH-9D546-BA  | 3B-8          |
| 87012-S95     | 10-24         | 87NH-16N910-AC | 12-2          | 90NH-4229-AC   | 8-8           | 91NH-9M525-AA  | 3B-4          |
| 87012-S95     | 10-8          | 87NH-2455-AA   | 9-6           | 90NH-4229-AD   | 8-8           | 91NH-B681-AA   | 10-26         |
| 87014-S95     | 10-10         | 87NH-2N138-AB  | 9-2           | 90NH-4229-AE   | 8-8           | 92NH-10A883-AA | 11-12         |
| 87016-S35     | 10-2          | 87NH-3N948-AA  | 3B-20         | 90NH-4229-AF   | 8-8           | 92NH-11654-AA  | 11-16         |
| 87016-S94     | 7-2           | 87NH-3N948-BA  | 3B-20         | 90NH-4N086-AA  | 8-10          | 92NH-11662-A   | 11-14         |
| 87024-S94     | 10-18         | 87NH-3N948-CA  | 3B20          | 90NH-4N087-AA  | 8-10          | 92NH-11662-BA  | 11-14         |
| 87028-S94     | 8-10          | 87NH-4230-AA   | 9-2           | 90NH-535-AB    | 10-26         | 92NH-11N654-AA | 11-14         |
| 87032-S95     | 10-22         | 87NH-4N031-AA  | 9-2           | 90NH-560-AA    | 10-26         | 92NH-13802-AA  | 11-14         |
| 87032-S95     | 10-24         | 87NH-7141-AA   | 7-8           | 90NH-560-AA    | 10-26         | 92NH-13A350-AA | 11-16         |
| 87034-S95     | 10-2          | 87NH-7145-AA   | 7-8           | 90NH-5N063-AA  | 8-10          | 92NH-13N360-AA | 11-16         |
| 87034-S95     | 10-24         | 87NH-7A385-AA  | 7-8           | 90NH-6051-AA   | 1A-2          | 92NH-16451-AA  | 12-10         |
| 87035-S94     | 10-16         | 87NH-7N071-AA  | 7-8           | 90NH-6051-BB   | 1A-2          | 92NH-16948-AB  | 12-8          |
| 87035-S94     | 1A-4          | 87NH-L892-AA   | 10-4          | 90NH-8600-AB   | 4B-2          | 92NH-16A901-AA | 13-4          |
| 87035-S94     | 3B-4          | 88NH-1050-AA   | 8-12          | 90NH-8N036-AA  | 12-2          | 92NH-16N340-AA | 12-12         |
| 87035-S95     | 10-2          | 88NH-1200-AA   | 5-2           | 90NH-8N036-AA  | 4B-4          | 92NH-16N341-AA | 12-12         |
| 87044-S95     | 10-2          | 88NH-1N020-AA  | 8-12          | 90NH-8N301-AA  | 12-2          | 92NH-16N476-AA | 12-10         |
| 87055-S94     | 10-16         | 88NH-1N021-AA  | 8-12          | 90NH-K840-AA   | 10-26         | 92NH-2472-BA   | 3B-22         |
| 87055-S94     | 10-18         | 88NH-2N133-AA  | 9-2           | 91NH-10241-AA  | 11-12         | 92NH-2A186-AA  | 9-6           |
| 87057-S94     | 10-20         | 88NH-526-AA    | 10-6          | 91NH-1106-AA   | 5-2           | 92NH-3290-BA   | 5A-4          |
| 87057-S94     | 10-16         | 88NH-6049-AA   | 1A-4          | 91NH-16A837-AA | 12-2          | 92NH-3307-BA   | 5A-4          |
| 87059-S96     | 10-16         | 88NH-6250-AA   | 1A-12         | 91NH-17N275-AA | 11-12         | 92NH-3503-AA   | 5A-8          |
| 87067-S94     | 11-12         | 89NH-14N004-AA | 11A-20        | 91NH-1N013-AA  | 5-2           | 92NH-390127-AA | 11-16         |
| 87106-S94     | 10-6          | 89NH-14N004-AA | 11B-22        | 91NH-1N014-AA  | 5-2           | 92NH-3A319-AA  | 5A-4          |
| 87145-S94     | 10-18         | 89NH-14N004-AA | 11C-24        | 91NH-2N127-BA  | 9-2           | 92NH-3N071-AA  | 5A-4          |
| 87650-S36     | 5A-6          | 89NH-14N004-AA | 11D-26        | 91NH-2N128-AA  | 9-2           | 92NH-3N071-BA  | 5A-4          |
| 87650-S36     | 1A-2          | 89NH-537-AA    | 10-2          | 91NH-2N134-AB  | 9-2           | 92NH-3N306-AA  | 5A-4          |

**35/45/60 FARMTRAC PART NUMBERS W/CORRESPONDING PAGE NUMBER**

| <b>PART #</b>  | <b>PAGE #</b> | <b>PART #</b>  | <b>PAGE #</b> | <b>PART #</b> | <b>PAGE #</b> |
|----------------|---------------|----------------|---------------|---------------|---------------|
| 92NH-3R655-AA  | 12-8          | 93NH-16N757-AA | 12-6          | 93NH-C546-AA  | 10-2          |
| 92NH-4194-AA   | 8-8           | 93NH-16N773-AA | 12-6          | 93NH-C905-AA  | 10-2          |
| 92NH-4A194-AA  | 8-8           | 93NH-16N906-AA | 12-2          | 93NH-N663-AA  | 10-28         |
| 92NH-546-AA    | 10-2          | 93NH-17N713-AA | 11-18         | 93NH-N664-AA  | 10-26         |
| 92NH-563-AB    | 10-28         | 93NH-1N058-AA  | 8-12          | 957E-1195     | 5-2           |
| 92NH-564-AA    | 10-26         | 93NH-2472-AA   | 3B-20         | 957E-3123-A   | 5B-12         |
| 92NH-596-AA    | 10-28         | 93NH-2472-AA   | 3B-22         | 957E-4220     | 8-4           |
| 92NH-597-AA    | 10-28         | 93NH-3008-AB   | 5A-4          | 957E-4228     | 8-4           |
| 92NH-6010-BA   | 1A-2          | 93NH-3009-AB   | 5A-6          | 957E-532      | 10-2          |
| 92NH-6200-AB   | 1A-14         | 93NH-3011-AB   | 5A-4          | 957E-550      | 10-6          |
| 92NH-7120-AA   | 7-6           | 93NH-3054-AA   | 5A-6          | 957E-551      | 10-6          |
| 92NH-7210-AA   | 7-2           | 93NH-3054-AA   | 5A-6          | 957E-554-B    | 10-26         |
| 92NH-7210-BA   | 7-2           | 93NH-311920-AA | 14-2          | 957E-566      | 10-26         |
| 92NH-8A559-AA  | 4B-2          | 93NH-3367-AA   | 5A-6          | 957E-7010     | 8-2           |
| 92NH-9002-AA   | 3A-2          | 93NH-3367-AA   | 5B-12         | 957E-7071-B   | 7-6           |
| 92NH-9002-AA   | 3B-2          | 93NH-3503-AB   | 5A-4          | 957E-7245     | 7-2           |
| 92NH-9735-AB   | 3B-22         | 93NH-351505-AA | 5A-6          | 957E-7245     | 8-10          |
| 92NH-9805-AA   | 3B-20         | 93NH-351505-AA | 5B-12         | 957E-727-A    | 7-6           |
| 92NH-9807-A    | 3B-22         | 93NH-3A070-AA  | 5A-4          | 957E-732      | 7-6           |
| 92NH-9B273-AA  | 3B-2          | 93NH-3A125-AA  | 5A-6          | 957E-7728     | 7-6           |
| 92NH-9B811-AC  | 3B-22         | 93NH-3A125-AA  | 5B-12         | 957E-790      | 7-8           |
| 92NH-9D823-AB  | 3B-22         | 93NH-3A125-DA  | 5A-6          | 957E-832      | 10-2          |
| 92NH-9N575-AA  | 3B-4          | 93NH-3A125-DA  | 5B-12         | 957E-837      | 10-10         |
| 92NH-9N719-AB  | 3B-22         | 93NH-3A208-AA  | 5A-6          | 957E-984-B    | 10-10         |
| 92NH-9N720-AA  | 3B-20         | 93NH-3A208-AA  | 5B-12         | 957E-994633   | 10-18         |
| 92NH-9N735-AA  | 3B-22         | 93NH-3A208-BA  | 5A6           | 960E-1065-A   | 14-5          |
| 92NH-9N859-AB  | 3B-22         | 93NH-3A208-BA  | 5B-12         | 960E-1076     | 14-5          |
| 92NH-B920-AA   | 10-6          | 93NH-3A367-AA  | 5A-6          | 960E-4615     | 8-4           |
| 92NH-B921-AA   | 10-6          | 93NH-3A367-AA  | 5B-12         | 960E-4627     | 8-4           |
| 92NH-D849-AA   | 8-10          | 93NH-3A443-AB  | 5A-4          | 97013-S36     | 6-4           |
| 92NH-D849-AB   | 8-10          | 93NH-3N051-AA  | 5A-6          | 97013-S36     | 9-6           |
| 92NH-N563-AA   | 8-10          | 93NH-4N191-AA  | 8-10          | 97325-S35     | 3A-4          |
| 92NH-N563-AB   | 10-28         | 93NH-576-AA    | 10-28         | 97325-S35     | 3B-2          |
| 92NH-N563-AB   | 8-10          | 93NH-5E063-AA  | 8-10          | 97342-S36     | 9-4           |
| 92NH-N905-AA   | 10-2          | 93NH-6010-AA   | 1A-2          | 97409-S36     | 10-14         |
| 93NH-1017-AA   | 8-12          | 93NH-6055-AA   | 1A-2          | 97410-S       | 10-6          |
| 93NH-10241-AA  | 11-12         | 93NH-6750-AA   | 1A-2          | 97411-S36     | 10-14         |
| 93NH-1100-BA   | 8-12          | 93NH-6A255-AA  | 1A-12         | 97413-S36     | 10-6          |
| 93NH-1120-AA   | 8-12          | 93NH-6N609-AA  | 1A-           | 97413-S36     | 9-6           |
| 93NH-13A439-CA | 11-14         | 93NH-7201-AA   | 7-2           | 97468-S       | 10-6          |
| 93NH-13N427-AA | 11-18         | 93NH-7222-AA   | 7-2           | 97470-S36     | 10-6          |
| 93NH-13N850-CA | 11A-20        | 93NH-7A020-AA  | 7-2           | 97480-S36     | 10-6          |
| 93NH-13N850-CA | 11B-22        | 93NH-7A510-AA  | 6-4           | 987E-7143-A   | 7-8           |
| 93NH-13N850-CA | 11C-24        | 93NH-7N057-AA  | 7-6           | 9451037404/5  | 3B-18         |
| 93NH-13AR31-AA | 11-16         | 93NH-7R502-A   | 6-4           | B1.08.65-8.8  | 1B-14         |
| 93NH-14N060-BA | 11-16         | 93NH-8N095-AA  | 12-2          | B1.08.70-8.8  | 1B-16         |
| 93NH-14K064-AA | 11A-20        | 93NH-8N630-AA  | 1A-4          | B1.08.80-8.8  | 1B-14         |
| 93NH-14K064-AA | 11B-22        | 93NH-9A660-AA  | 2-4           | BB-7234       | 7-4           |
| 93NH-14K064-AA | 11C-24        | 93NH-9A667-AA  | 2-4           | BB-7234       | 8-6           |
| 93NH-14N099-AA | 13-4          | 93NH-9B746-AA  | 3B-20         | CONN-A783-A   | 9-2           |
| 93NH-16450-AB  | 12-10         | 93NH-9N660-AA  | 2-4           | CONN-B999-A   | 10-24         |

**35/45/60 FARMTRAC PART NUMBERS W/CORRESPONDING PAGE NUMBER**

| <b>PART #</b> | <b>PAGE #</b> | <b>PART #</b> | <b>PAGE #</b> | <b>PART #</b> | <b>PAGE #</b> |
|---------------|---------------|---------------|---------------|---------------|---------------|
| C1.22x1.2     | 1B-6          | C5NN-3A443-A  | 5B-12         | C5NN-7279-A   | 7-2           |
| C2DE-8255-A   | 4B-4          | C5NN-3C765-A  | 5A-8          | C5NN-7410-C   | 7-2           |
| C5HN-D959-A   | 10-22         | C5NN-3C765-A  | 5A-8          | C5NN-747-A    | 8-6           |
| C5NE-6265-A   | 1A-10         | C5NN-3C765-A  | 5B-16         | C5NN-7600-A   | 1A-8          |
| C5NE-6278-A   | 1A-10         | C5NN-3N052-A  | 5B-12         | C5NN-7600-A   | 6-2           |
| C5NE-6278-A   | 1A-12         | C5NN-3N054-B  | 5B-12         | C5NN-7609-B   | 1A-8          |
| C5NE-6306-A   | 1A-8          | C5NN-3N071-A  | 5B-12         | C5NN-7609-B   | 6-2           |
| C5NE-6310-B   | 1A-8          | C5NN-3N071-B  | 5B-12         | C5NN-77086-A  | 7-8           |
| C5NE-6312-F   | 1A-8          | C5NN-3N071-C  | 5B-12         | C5NN-772-A    | 7-6           |
| C5NE-6529-A   | 1A-10         | C5NN-3N532-A  | 10-18         | C5NN-7A452-A  | 7-6           |
| C5NE-6567-B   | 1A-10         | C5NN-4684-A   | 8-4           | C5NN-7A578-A  | 6-4           |
| C5NE-6587-A   | 1A-10         | C5NN-475-B    | 10-2          | C5NN-7A615-A  | 6-4           |
| C5NE-6628-AA  | 1A-16         | C5NN-4885-C   | 8-2           | C5NN-7A615-A  | 7-4           |
| C5NE-6853-A   | 1A-10         | C5NN-4885-C   | 8-8           | C5NN-7B226-L  | 7-2           |
| C5NE-6A254-A  | 1A-12         | C5NN-4885-D   | 8-2           | C5NN-7B340-A  | 7-6           |
| C5NE-6B309-A  | 1A-8          | C5NN-4885-D   | 8-8           | C5NN-7C095-D  | 7-8           |
| C5NE-8509-A   | 4B-2          | C5NN-4885-E   | 8-2           | C5NN-7K013-E  | 7-6           |
| C5NE-8513-A   | 4B-2          | C5NN-4885-E   | 8-8           | C5NN-7N011-B  | 7-8           |
| C5NE-907-C    | 1A-12         | C5NN-4A053-B  | 8-4           | C5NN-7N044-A  | 7-8           |
| C5NE-9628-B   | 2-2           | C5NN-4N027-A  | 8-8           | C5NN-7N051-B  | 7-6           |
| C5NE-9E526-B  | 3B-8          | C5NN-4N053-A  | 8-10          | C5NN-7N064-A  | 7-6           |
| C5NE-9F586-A  | 3B-4          | C5NN-502-A    | 10-4          |               |               |
| C5NE-9F589-D  | 3B-4          | C5NN-502-A    | 8-2           |               |               |
| C5NE-9F598-A  | 1A-4          | C5NN-518-B    | 10-4          |               |               |
| C5NH-D961-A   | 10-22         | C5NN-525-B    | 10-2          |               |               |
| C5NH-N513-A   | 10-22         | C5NN-530-B    | 10-6          |               |               |
| C5NN-1012-B   | 5-2           | C5NN-547-B    | 10-2          |               |               |
| C5NN-10N680-B | 11-10         | C5NN-7049-E   | 7-8           |               |               |
| C5NN-10N768-B | 11-10         | C5NN-7050-C   | 7-6           |               |               |
| C5NN-1107-F   | 5-2           | C5NN-7064-A   | 7-6           |               |               |
| C5NN-11467-R  | 7-2           | C5NN-7086-A   | 7-8           |               |               |
| C5NN-11N001-A | 7-2           | C5NN-7100-F   | 7-6           |               |               |
| C5NN-11N002-A | 7-2           | C5NN-7102-F   | 7-6           |               |               |
| C5NN-11N003-B | 7-2           | C5NN-7106-D   | 7-8           |               |               |
| C5NN-11N496-A | 11-14         | C5NN-7111-N   | 7-6           |               |               |
| C5NN-14277-D  | 11-10         | C5NN-7113-B   | 7-8           |               |               |
| C5NN-16N631-B | 12-*6         | C5NN-7127-A   | 7-8           |               |               |
| C5NN-16N644-B | 12-6          | C5NN-7127-B   | 7-8           |               |               |
| C5NN-16N647-A | 12-6          | C5NN-7140-B   | 7-8           |               |               |
| C5NN-16N655-A | 12-2          | C5NN-717-A    | 8-6           |               |               |
| C5NN-2472-B   | 9-6           | C5NN-720-A    | 8-6           |               |               |
| C5NN-2B184-A  | 12-10         | C5NN-7213-A   | 7-2           |               |               |
| C5NN-2N320-A  | 9-2           | C5NN-7221-C   | 7-4           |               |               |
| C5NN-2N430-A  | 9-6           | C5NN-7229-B   | 7-4           |               |               |
| C5NN-2N547-B  | 9-6           | C5NN-7231-A   | 7-2           |               |               |
| C5NN-3125-A   | 5A-6          | C5NN-7231-S   | 7-2           |               |               |
| C5NN-3125-A   | 5B-12         | C5NN-723-A    | 8-6           |               |               |
| C5NN-3586-A   | 5A-8          | C5NN-7240-A   | 7-4           |               |               |
| C5NN-3590-F   | 5A-8          | C5NN-7240-AD  | 7-4           |               |               |
| C5NN-3A070-A  | 5B-12         | C5NN-7240-B   | 7-4           |               |               |
| C5NN-3A072-A  | 5B-12         | C5NN-7240-L   | 7-4           |               |               |

**35/45/60 FARMTRAC PART NUMBERS W/CORRESPONDING PAGE NUMBER**

| <b>PART #</b> | <b>PAGE #</b> | <b>PART #</b> | <b>PAGE #</b> | <b>PART #</b> | <b>PAGE #</b> |
|---------------|---------------|---------------|---------------|---------------|---------------|
| C5NN-7N064-A  | 7-6           | C5NN-N968-A   | 10-14         | C9NN-2N132-A  | 9-2           |
| C5NN-7N135-A  | 7-8           | C5NN-N991-B   | 10-2          | C9NN-4N106-A  | 8-10          |
| C5NN-7N135-B  | 7-8           | C5NN-N991-B   | 10-22         | C9NN-6675-A   | 1A-16         |
| C5NN-7N135-C  | 7-8           | C5PN-P951-A   | 10-22         | C9NN-6730-B   | 1A-16         |
| C5NN-7N144-A  | 7-8           | C7NN-10N662-A | 11-10         | C9NN-6734-A   | 1A-16         |
| C5NN-7N160-A  | 7-8           | C7NN-10N663-A | 11-10         | C9NN-6A253-A  | 1A-12         |
| C5NN-7N181-A  | 7-2           | C7NN-10N663-A | 11A-20        | C9NN-6N250-A  | 1A-8          |
| C5NN-7N225-C  | 7-4           | C7NN-10N663-A | 11B-22        | C9NN-6N251-A  | 1A-10         |
| C5NN-7N301-C  | 7-6           | C7NN-10N663-A | 11C-24        | C9NN-7049-D   | 7-8           |
| C5NN-7N309-A  | 7-2           | C7NN-10N663-A | 11D-26        | C9NN-7N071-A  | 7-8           |
| C5NN-7N430-A  | 7-6           | C7NN-14450-A  | 11-10         | C9NN-B927-A   | 10-28         |
| C5NN-7N456-A  | 7-2           | C7NN-14452-C  | 11-10         | C9NN-H891-A   | 10-*24        |
| C5NN-7N569-A  | 6-2           | C7NN-16625-M  | 12-6          | D0NN-14N204-B | 7-2           |
| C5NN-805-D    | 14-2          | C7NN-16N658-A | 12-6          | D0NN-16474-G  | 12-10         |
| C5NN-807-D    | 14-2          | C7NN-2N145-A  | 9-6           | D0NN-16N499-C | 12-10         |
| C5NN-8115-B   | 1A-4          | C7NN-3655-B   | 5A-8          | D0NN-2N129-AA | 9-2           |
| C5NN-8115-B   | 4B-4          | C7NN-591-A    | 10-28         | D0NN-2N138-A  | 9-2           |
| C5NN-8125-A   | 4B-4          | C7NN-6500-B   | 1A-10         | D0NN-2N139-A  | 9-2           |
| C5NN-8286-B   | 4B-4          | C7NN-6513-A   | 1A-10         | D0NN-2N141-A  | 9-2           |
| C5NN-8348-B   | 12-4          | C7NN-6584-B   | 1A-10         | D0NN-2N154-A  | 9-2           |
| C5NN-8A256-A  | 12-4          | C7NN-6623-A   | 1A-16         | D0NN-6514-A   | 1A-10         |
| C5NN-924-A    | 10-10         | C7NN-6659-A   | 1A-16         | D0NN-6890-A   | 1A-2          |
| C5NN-9B746-A  | 3B-22         | C7NN-6A605-A  | 1A-16         | D0NN-6890-A   | 1B-20         |
| C5NN-9N071-A  | 3A-4          | C7NN-6N008-A  | 1A-2          | D0NN-6N011-A  | 1A-2          |
| C5NN-9N071-A  | 3B-2          | C7NN-702-B    | 7-8           | D0NN-6N012-A  | 1A-2          |
| C5NN-A804-A   | 14-2          | C7NN-721-A    | 8-6           | D0NN-6N012-A  | 1B-22         |
| C5NN-A828-B   | 14-2          | C7NN-7227-A   | 7-2           | D0NN-8N096-C  | 12-4          |
| C5NN-A945-C   | 10-28         | C7NN-7571-B   | 6-2           | D0NN-A910-A   | 10-26         |
| C5NN-A965-B   | 10-2          | C7NN-792-B    | 7-6           | D102          | 12-18         |
| C5NN-B853-B   | 10-12         | C7NN-7A247-A  | 7-2           | D111          | 12-18         |
| C5NN-D851-B   | 1A-12         | C7NN-7N055-C  | 7-6           | D1NN-4209-B   | 8-4           |
| C5NN-E987-A   | 9-2           | C7NN-7N458-A  | 7-2           | D1NN-473-C    | 10-6          |
| C5NN-K834-B   | 10-2          | C7NN-7N515-J  | 6-4           | D1NN-6670-A   | 1A-16         |
| C5NN-K834-C   | 10-2          | C7NN-7N598-A  | 6-4           | D1NN-6674-A   | 1A-16         |
| C5NN-K834-D   | 10-2          | C7NN-8042-A   | 12-6          | D1NN-6A809-A  | 1A-16         |
| C5NN-N448-A   | 11-18         | C7NN-8594-B   | 4B-4          | D1NN-7519-A   | 6-4           |
| C5NN-N705-A   | 7-8           | C7NN-9658-C   | 2-2           | D1NN-7550-A   | 6-2           |
| C5NN-N722-B   | 8-6           | C7NN-9G524-A  | 1A-4          | D1NN-7N617-D  | 6-4           |
| C5NN-N819-E   | 14-2          | C7NN-A611-A   | 10-4          | D1NN-8N212-A  | 12-8          |
| C5NN-N819-F   | 14-2          | C7NN-B777-B   | 7-6           | D1NN-A788-A   | 8-11          |
| C5NN-N823-G   | 14-2          | C7NN-B781-A   | 7-6           | D1NN-B731-A   | 7-8           |
| C5NN-N826-A   | 14-2          | C7NN-B853-A   | 10-12         | D1NN-B968-N   | 10-24         |
| C5NN-N850-D   | 10-26         | C7NN-N740-A   | 8-6           | D1NN-P780-A   | 8-11          |
| C5NN-N917-A   | 10-14         | C7NN-N859-A   | 10-12         | D2NN-2N511-C  | 9-6           |
| C5NN-N918-A   | 10-14         | C7NN-N941-A   | 10-14         | D2NN-B997-A   | 10-22         |
| C5NN-N934-A   | 10-14         | C9NN-16N632-A | 12-6          | D2NN-B997-A   | 10-24         |
| C5NN-N942-A   | 10-14         | C9NN-2N117-A  | 9-4           | D2NN-H899-A   | 10-24         |
| C5NN-N949-A   | 10-12         | C9NN-2N120-A  | 9-4           | D2NN-J958-A   | 10-14         |
| C5NN-N949-A   | 8-2           | C9NN-2N121-A  | 9-4           | D3NN-10C318-C | 4B-2          |
| C5NN-N951-B   | 8-2           | C9NN-2N131-A  | 9-4           | D3NN-10N311-A | 11-16         |



**35/45/60 FARMTRAC PART NUMBERS W/CORRESPONDING PAGE NUMBER**

| <b>PART #</b> | <b>PAGE #</b> | <b>PART #</b>  | <b>PAGE #</b> | <b>PART #</b>  | <b>PAGE #</b> |
|---------------|---------------|----------------|---------------|----------------|---------------|
| D3NN-16626-L  | 12-6          | D4NN-B936-F    | 10-24         | D8NN-3N898-AA  | 5B-16         |
| D3NN-17N264-B | 11-12         | D4NN-B936-G    | 10-24         | D8NN-6269-AA   | 1A-10         |
| D3NN-17N269-A | 11-12         | D4NN-D931-A    | 10-18         | D8NN-6N009-AA  | 1A-2          |
| D3NN-516-A    | 10-4          | D4NN-E897-B    | 10-20         | D8NN-7580-BB   | 6-2           |
| D3NN-517-A    | 10-6          | D4NN-H972-A    | 10-18         | D8NN-9N179-AB  | 11-12         |
| D3NN-519-A    | 10-6          | D4NN-J837-A    | 10-14         | D8NN-K990-AA   | 10-18         |
| D3NN-5C250-BA | 2-6           | D4NN-J978-A    | 10-6          | D8NN-P910-AA   | 10-2          |
| D3NN-5C250-BA | 2-8           | D4NN-K991-A    | 10-18         | D9NN-228-AA    | 10-12         |
| D3NN-645-A    | 10-2          | D4NN-K994-A    | 10-18         | D9NN-2N337-FA  | 9-6           |
| D3NN-6A820-E  | 1A-16         | D4NN-K998-A    | 10-16         | D9NN-7037-AA   | 7-2           |
| D3NN-916-K    | 10-10         | D4NN-K998-A    | 10-20         | D9NN-7037-AA   | 8-2           |
| D3NN-9430-A   | 2-8           | D4NN-L830-A    | 10-18         | D9NN-9N187-AA  | 3A-2          |
| D3NN-9439-A   | 2-8           | D4NN-L863-A    | 10-14         | D9NN-9N187-AA  | 3B-2          |
| D3NN-B496-A   | 10-12         | D4NN-N629-A    | 10-16         | D9NN-C729-AA   | 7-6           |
| D3NN-B501-A   | 10-6          | D4NN-N629-A    | 10-20         | EDPN3K758-A    | 5B-16         |
| D3NN-B911-B   | 10-4          | D4NN-N629-B    | 10-16         | E0NN-10N334-AC | 11-8          |
| D3NN-B911-B   | 10-6          | D4NN-N629-B    | 10-20         | E0NN-16N900-AB | 12-2          |
| D3NN-C443-B   | 10-12         | D4NN-N885-B    | 10-18         | E0NN-16N908-AA | 12-2          |
| D3NN-E883-A   | 10-16         | D4NN-N944-A    | 10-14         | E0NN-3A370-AA  | 14-4          |
| D3NN-E883-A   | 10-20         | D5NN-1215-A    | 5-2           | E0NN-3N238-AA  | 14-4          |
| D3NN-F869-D   | 10-6          | D5NN-14197-A   | 11A-20        | E0NN-3N243-AA  | 14-4          |
| D3NN-F869-D   | 10-8          | D5NN-14197-A   | 11B-22        | E0NN-3N244-AA  | 14-4          |
| D3NN-F947-A   | 10-10         | D5NN-14197-A   | 11C-24        | E0NN-3N245-AA  | 14-4          |
| D3NN-F982-A   | 10-4          | D5NN-14197-A   | 11D-26        | E0NN-482-AB    | 10-10         |
| D3NN-G928-B   | 10-14         | D5NN-3N602-A   | 5A-8          | E0NN-7502-AB   | 6-2           |
| D3NN-G931-A   | 10-14         | D5NN-3N602-A   | 5B-16         | E0NN-848-AB    | 10-8          |
| D3NN-J835-C   | 10-6          | D5NN-504-A     | 10-6          | E0NN-921-BB    | 10-8          |
| D3NN-J835-D   | 10-6          | D5NN-594-A     | 10-26         | E0NN-B505-DA   | 10-4          |
| D3NN-J977-A   | 10-4          | D5NN-6531-A    | 1A-10         | E0NN-D943-CA   | 10-4          |
| D3NN-J985-A   | 10-8          | D5NN-9B618-A   | 2-4           | E0NN-D960-AA   | 10-22         |
| D3NN-K841-A   | 10-10         | D5NN-9R500-A   | 2-4           | E0NN-F947-A    | 10-10         |
| D3NN-K931-A   | 10-14         | D5NN-K939-A    | 10-12         | E0NN-M865-CA   | 10-26         |
| D3NN-K935-A   | 10-14         | D5NN-L939-A    | 10-26         | E0NN-N475-AA   | 10-2          |
| D3NN-K943-A   | 10-12         | D5NN-L972-A    | 10-12         | E0NN-N475-BA   | 10-2          |
| D3NN-N533-B   | 10-6          | D5NN-N871-A    | 10-18         | E0NN-N482-AA   | 10-2          |
| D3NN-N625-A   | 10-4          | D5NN-N885-B    | 10-18         | E0NN-N885-AA   | 10-20         |
| D3NN-N838-B   | 10-12         | D6NN-2795-A    | 9-6           | E0NN-N958-AA   | 10-10         |
| D3NN-N871-E   | 10-20         | D6NN-5246-N    | 2-8           | E117-GF9       | 10-6          |
| D3NN-N885-J   | 10-20         | D6NN-5252-B    | 2-8           | E185-EB-9      | 8-4           |
| D3NN-N918-A   | 10-14         | D6NN-7N072-A   | 7-6           | E186-EB-9      | 8-4           |
| D3NN-N938-A   | 10-14         | D6NN-B486-A    | 10-16         | E187-EB-9      | 8-4           |
| D3NN-N947-A   | 10-14         | D6NN-B486-A    | 10-18         | E188-EB-9      | 8-4           |
| D3NN-N970-A   | 10-6          | D6NN-K936-B    | 10-14         | E189-EB-9      | 8-4           |
| D3NN-N994-A   | 10-12         | D6NN-N853-AA   | 10-12         | E193-EB-9      | 8-10          |
| D4NN-534-A    | 10-4          | D7NN-6582-C    | 1A-10         | E196-EB-9      | 8-10          |
| D4NN-600-B    | 10-18         | D7NN-7C402-A   | 7-2           | E1ADDN-4286    | 8-4           |
| D4NN-872-A    | 10-18         | D7NN-7N539-A   | 6-4           | E1ADDN-522-B   | 10-4          |
| D4NN-873-A    | 10-18         | D7NN-7R427-A   | 7-2           | E1ADDN-7025-A  | 7-6           |
| D4NN-908-C    | 10-18         | D7NN-B999-A    | 10-24         | E1ADKN-16658   | 12-6          |
| D4NN-A876-A   | 10-6          | D8NN-13N360-BB | 11-16         | E1ADKN-19243   | 3B-20         |
| D4NN-B503-B   | 10-6          | D8NN-3N898-AA  | 5A-8          | E1ADKN-7256    | 7-8           |



#### 35/45/60 FARMTRAC PART NUMBERS W/CORRESPONDING PAGE NUMBER

| PART #           | PAGE # | PART #         | PAGE # | PART #       | PAGE # |
|------------------|--------|----------------|--------|--------------|--------|
| E1ADKN-77014     | 7-8    | E69-WP-9       | 10-14  | EXP-10897-A  | 3B-18  |
| E1ADKN-994567    | 10-14  | E6NN-10145-DA  | 11-8   | EXP-10906-A  | 3B-16  |
| E1ADKN-994570    | 10-14  | E6NN-13A450-AA | 11-14  | EXP-10907-A  | 3B-16  |
| E1NN-11667-AA    | 11-14  | E6NN-4667-AA   | 8-4    | EXP-10908-A  | 3B-16  |
| E1NN-16874-AA    | 12-2   | E6NN-4A056-AA  | 8-4    | EXP-10909-A  | 3B-16  |
| E1NN-517-AA      | 10-4   | E6NN-6269-AA   | 1A-12  | EXP-10911-A  | 3B-16  |
| E1NN-517-AA      | 10-6   | E6NN-6C045-BA  | 1A-4   | EXP-10912-A  | 3B-16  |
| E1NN-K930-AA     | 10-14  | E6NN-7Z165-AA  | 7-4    | EXP-10913-A  | 3B-16  |
| E1NN-N982-CA     | 10-*14 | E75-GE-9       | 7-8    | EXP-12158-A  | 11-12  |
| E1NN-N982-CA-    | 10-12  | E7NN-10B376-A  | 11-*8  | EXP-13021-AA | 10-20  |
| E209-WP-9        | 10-14  | E7NN-11654-AA  | 11-14  | EXP-13410-AA | 3B-6   |
| E211-EB9         | 8-*10  | E7NN-6090-BA   | 1A-2   | EXP-13411-AA | 3B-8   |
| E27N-7547        | 9-6    | E7NN-6563-AA   | 1A-10  | EXP-13412-AA | 3B-8   |
| E27N-994609      | 10-6   | E7NN-6A008-AA  | 1A-2   | EXP-13416-AA | 3B-6   |
| E27N-995216      | 10-28  | E80-WP-9       | 10-14  | EXP-13417-AA | 3B-6   |
| E27N-995282      | 10-26  | E84-GF9        | 10-12  | EXP-13418-AA | 3B-8   |
| E2NN-2N652-AA    | 9-6    | E8NN-9448-AA   | 2-8    | EXP-13418-BA | 3B-6   |
| E2NN-4N507-AA    | 8-2    | E9NN-10K694-AA | 13-4   | EXP-13436-AA | 3B-6   |
| E2NN-6384-AA     | 1A-8   | E9NN-3A042-AB  | 5B-12  | EXP-13436-AB | 3B-6   |
| E2NN-733-AA      | 8-6    | E9NN-3N241-AB  | 14-4   | EXP-13436-AC | 3B-6   |
| E2NN-94000R86-AA | 13-2   | E9NN-541-AA    | 10-2   | EXP-13436-AD | 3B-6   |
| E2NN-9N024-AA    | 3A-2   | ETP-3222       | 11-12  | EXP-13436-AE | 3B-6   |
| E2NN-9N024-AA    | 3B-2   | EXP-10088      | 11-4   | EXP-13436-AF | 3B-6   |
| E2NN-B595-AA     | 6-2    | EXP-10097      | 11-4   | EXP-13436-AG | 3B-6   |
| E2NN-N515-A      | 13-2   | EXP-10142      | 3B-16  | EXP-13436-AH | 3B-6   |
| E440-GB-9        | 7-2    | EXP-10144      | 3B-16  | EXP-13437-AA | 3B-6   |
| E4NN-10C915-BA   | 11-16  | EXP-10145      | 3B-16  | EXP-13437-AB | 3B-6   |
| E4NN-13A350-AA   | 11-16  | EXP-10146      | 3B-16  | EXP-13437-AC | 3B-6   |
| E4NN-6336-AB     | 1A-8   | EXP-10152      | 3B-16  | EXP-13437-AD | 3B-6   |
| E4NN-911-AA      | 10-18  | EXP-10153      | 3B-16  | EXP-13437-AE | 3B-8   |
| E4NN-B968-BC     | 10-22  | EXP-10154      | 3B-16  | EXP-13437-AF | 3B-8   |
| E4NN-H923-AA     | 10-22  | EXP-10155      | 3B-16  | EXP-13437-AG | 3B-8   |
| E4TN-6214-AA     | 1A-4   | EXP-10156      | 3B-16  | EXP-13437-AH | 3B-8   |
| E5HN-6N305-AA    | 1A-2   | EXP-10325      | 3B-14  | EXP-13447-AA | 3B-8   |
| E5HN-6N306-AA    | 1A-2   | EXP-10327      | 3B-14  | EXP-13448-AA | 3B-8   |
| E5HN-6N306-AA    | 1A-6   | EXP-10330      | 3B-14  | EXP-13453-AA | 3B-8   |
| E5NN-13A805-AA   | 11-14  | EXP-10331      | 3B-14  | EXP-13455-AA | 3B-8   |
| E5NN-4N021-BA    | 8-2    | EXP-10332      | 3B-14  | EXP-13456-AA | 3B-8   |
| E5NN-7N103-AA    | 7-2    | EXP-10333      | 3B-14  | EXP-13458-AA | 3B-8   |
| E5NN-8507-AA     | 4B-2   | EXP-10334      | 3B-14  | EXP-13459-AA | 3B-8   |
| E-600212-S72     | 11-8   | EXP-10335      | 3B-14  | EXP-13462-AA | 3B-6   |
| E-602188-S71     | 11-6   | EXP-10336      | 3B-14  | EXP-13466-AA | 3B-8   |
| E-602189-S72     | 11-6   | EXP-10337      | 3B-14  | EXP-13468-AA | 3B-8   |
| E61-GE-9         | 7-6    | EXP-10338      | 3B-14  | EXP-13478-AA | 3B-10  |
| E62A-11502       | 11-14  | EXP-10339      | 3B-14  | EXP-13479-AA | 3B-10  |
| E62-GE-9         | 7-8    | EXP-10342      | 3B-18  | EXP-13480-AA | 3B-10  |
| E-630023-S71     | 11-6   | EXP-10343      | 3B-18  | EXP-13481-AA | 3B-10  |
| E-630028-S71     | 11-6   | EXP-10344      | 3B-18  | EXP-13482-AA | 3B-10  |
| 630028-S71       | 11-8   | EXP-10345      | 3B-18  | EXP-13505-AA | 3B-10  |
| E630038-S71      | 14-4   | EXP-10416-A    | 11-18  | EXP-13507-AA | 3B-10  |
| E-643262-S       | 14-4   | EXP-10896-A    | 3B-18  | EXP-13523-AA | 3B-12  |